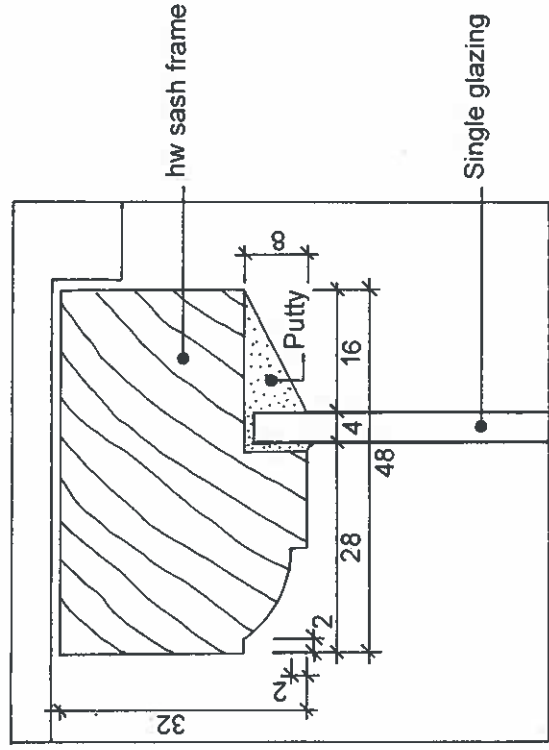


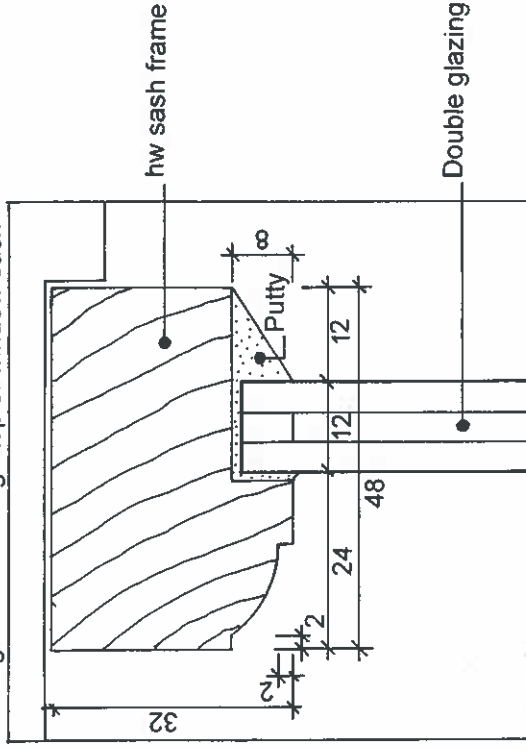
Double Glazing to 15 Swinton Street London WC1X 9NL for Lora and George Nicolova

3



Detail 1

Existing section through top of window sash

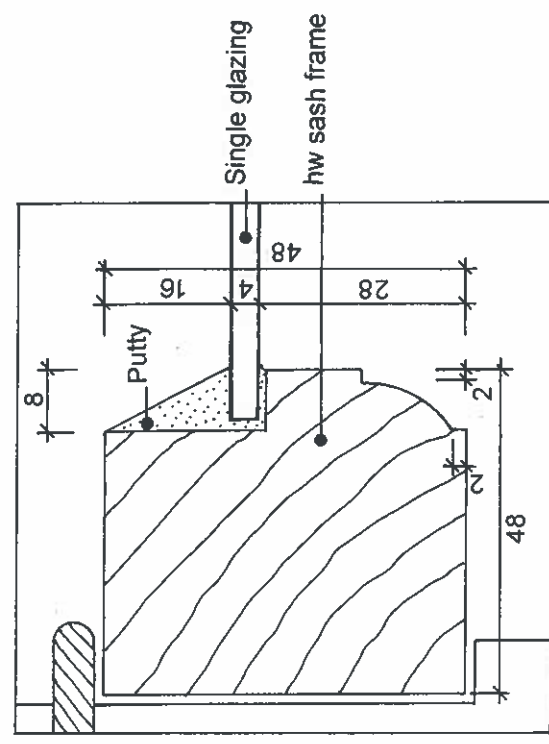


Detail 2

Proposed section through top of window sash

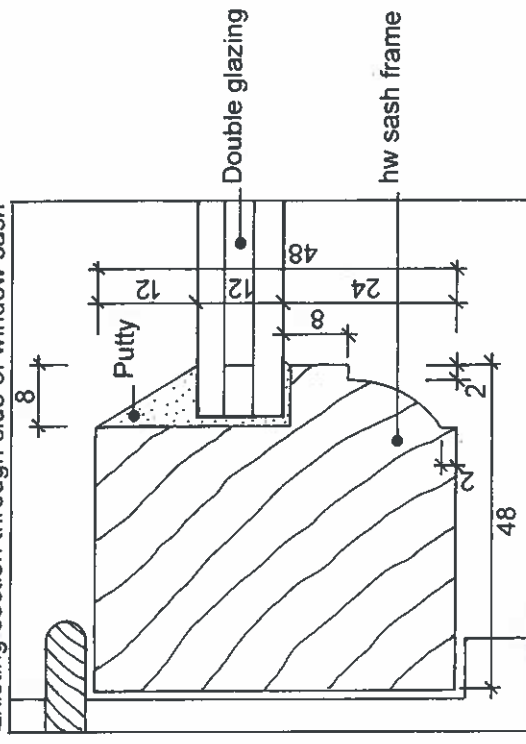
NOTE:

1. Double glazing to be 12mm thick with 4mm clear outer pane, 4mm cavity filled with Krypton gas and 4mm inner pane in Low E glass
2. Glazing supplied by The Original Glass Company Ltd Tel: 01353 772299 (specialist in conservation glazing)
3. All bottom sash rails 70 x 48mm
4. All sashes in hardwood painted white
5. Door D1 in rear facade to have same profile except wider sections



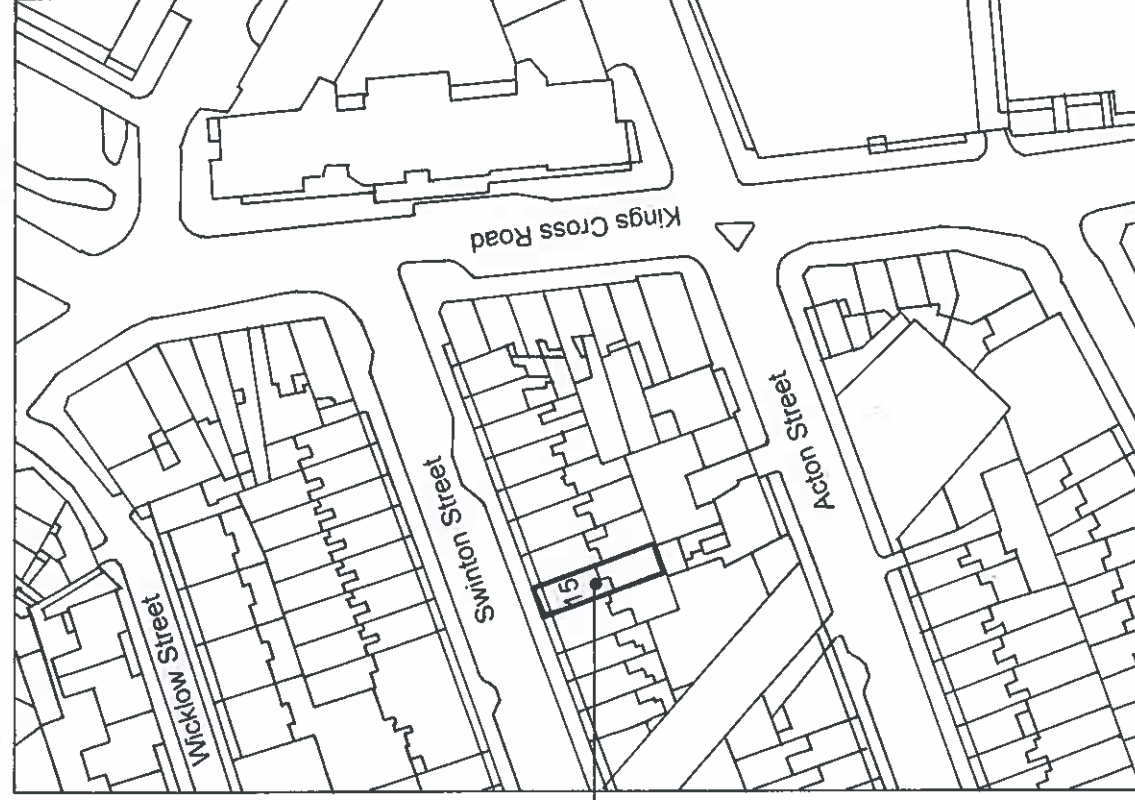
Detail 3

Existing section through side of window sash




Detail 4

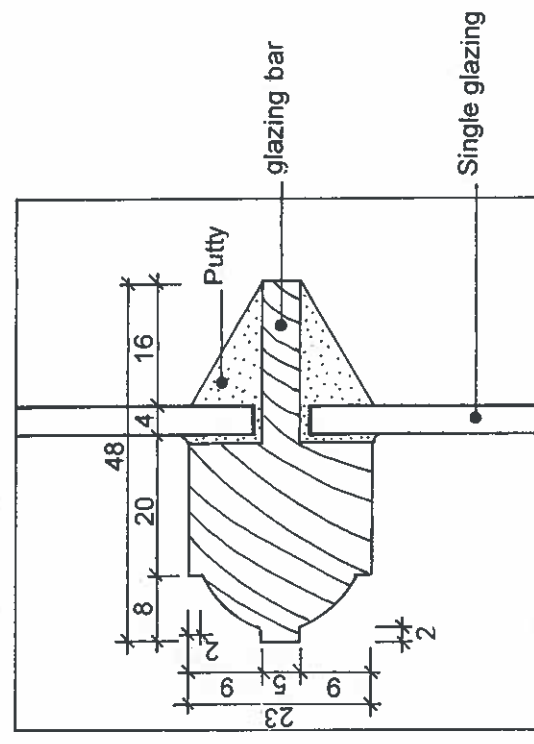
Proposed section through side of window sash



Application site

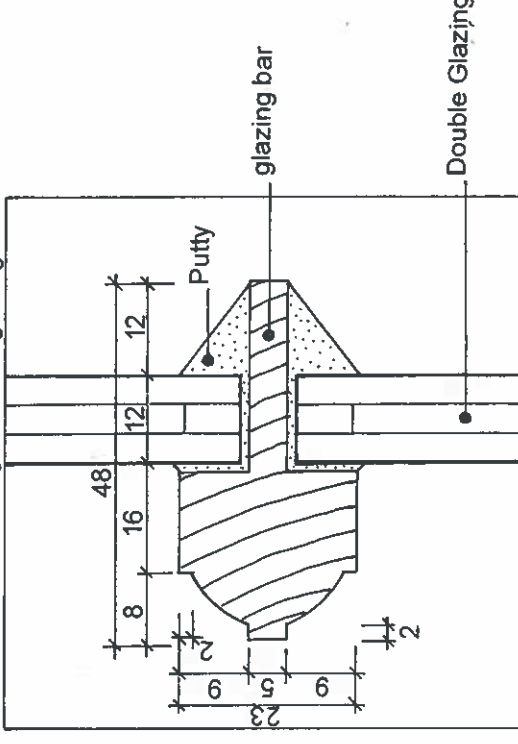
Location Plan

North  Scale: 1:1250



Detail 5

Existing section through window glazing bar



Detail 6

Proposed section through window glazing bar