



This drawing is copyright and shall not be reproduced nor used for any other purpose without the written permission of the Architects. This drawing must be read in conjunction with all other related drawings and documentation. It is the contractors responsibility to ensure full compliance with the Building Regulations. Do not scale from this drawing, use figured dimensions only. It is the contractors responsibility to check and verify all dimensions on site. Any discrepancies to be reported immediately. IF IN DOUBT ASK. Materials not in conformity with relevant British or European Standards/Codes of practice or materials known to be deleterious to health & safety must not be used or specified on this project.

This drawing is to be read in conjunction with the NBS specification for detailed window requirements and Ironmongery specifications.

Please refer to drawings A00-25, A00-26 and A00-27 for the weighted acoustic reduction value requirements.

Nb. Refer to drawing A31.4-01, 02 & -03 for Windows Schedule

Key:

-  Opaque glazing panel. Refer to NBS spec for details.
-  Insulated Spandrel panel. Refer to NBS spec for details.

Notes:

All structural opening sizes to be measured on site prior to fabrication.

Tolerances to be allowed for by sub-contractor.

Mitred, sealed and crimped construction to Curtain Wall frames which are thermally broken and clear glazing internally beaded. Opaque glazing to be externally beaded.

Sub contractors to provide samples for glazing shown as 'opaque' for approval.

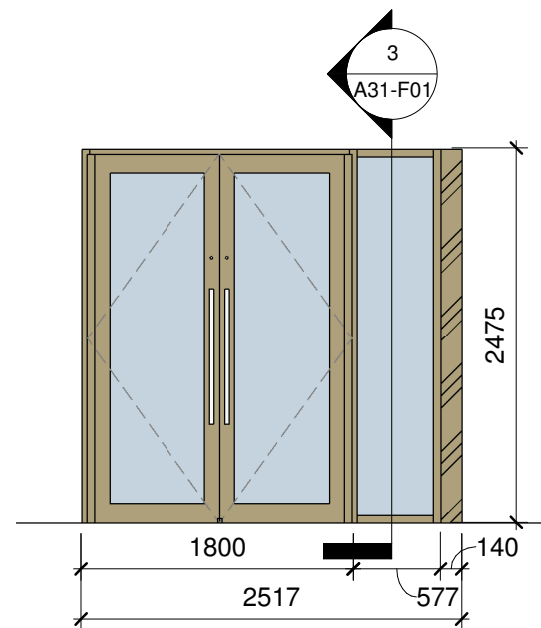
Glazed units to achieve a minimum U-Value of 1.13W/m²k overall.

All glazing in critical locations is to be safety glass as defined in approved document K4 of the Building regulations.

Suitable protection of glazed units to be provided to prevent damage from works on site.

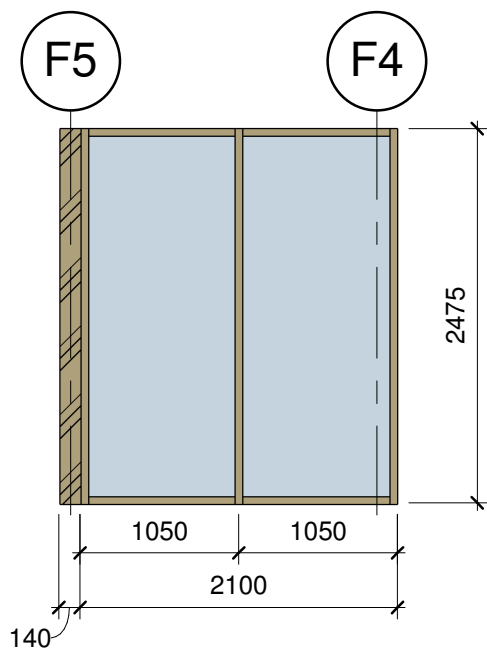
All frames to be sealed externally and internally with silicone to BS5880 on a compressible polyethylene backing rod.

Accessible opening mechanisms to be provided to disabled fit out rooms.



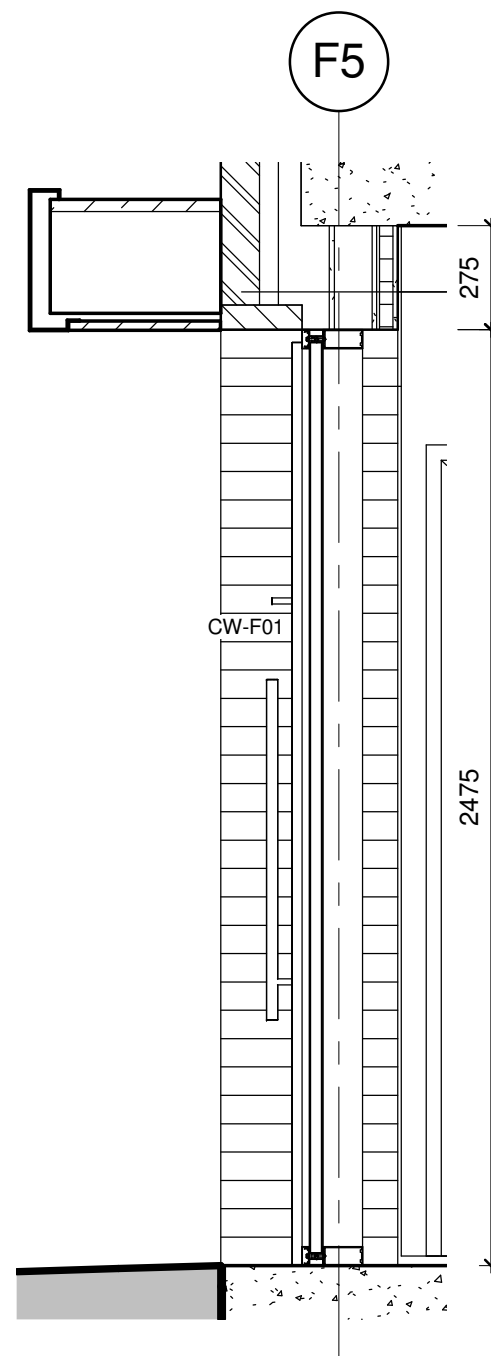
CW-F01 Elevation

1 : 50



CW-F02 Elevation

1 : 50



A	17.10.14	Legend updated for clarity	MPS
No	Date	Description	by



PROJECT
West Hampstead Square

TITLE
Curtain Wall Details Block F

DRAWING STATUS
Construction

DRAWN: MPS CHECKED: DRJ

SCALE: As indicated @A3

DATE: 10/14/14

WCEC architects

South Building, Staple Inn Buildings
London, WC1V 7PZ

t:020 3388 0019, e: email@wcec.co.uk, www.wcec.co.uk

JOB NO.	DRAWING NUMBER	REV
12-316	A31-F01	A