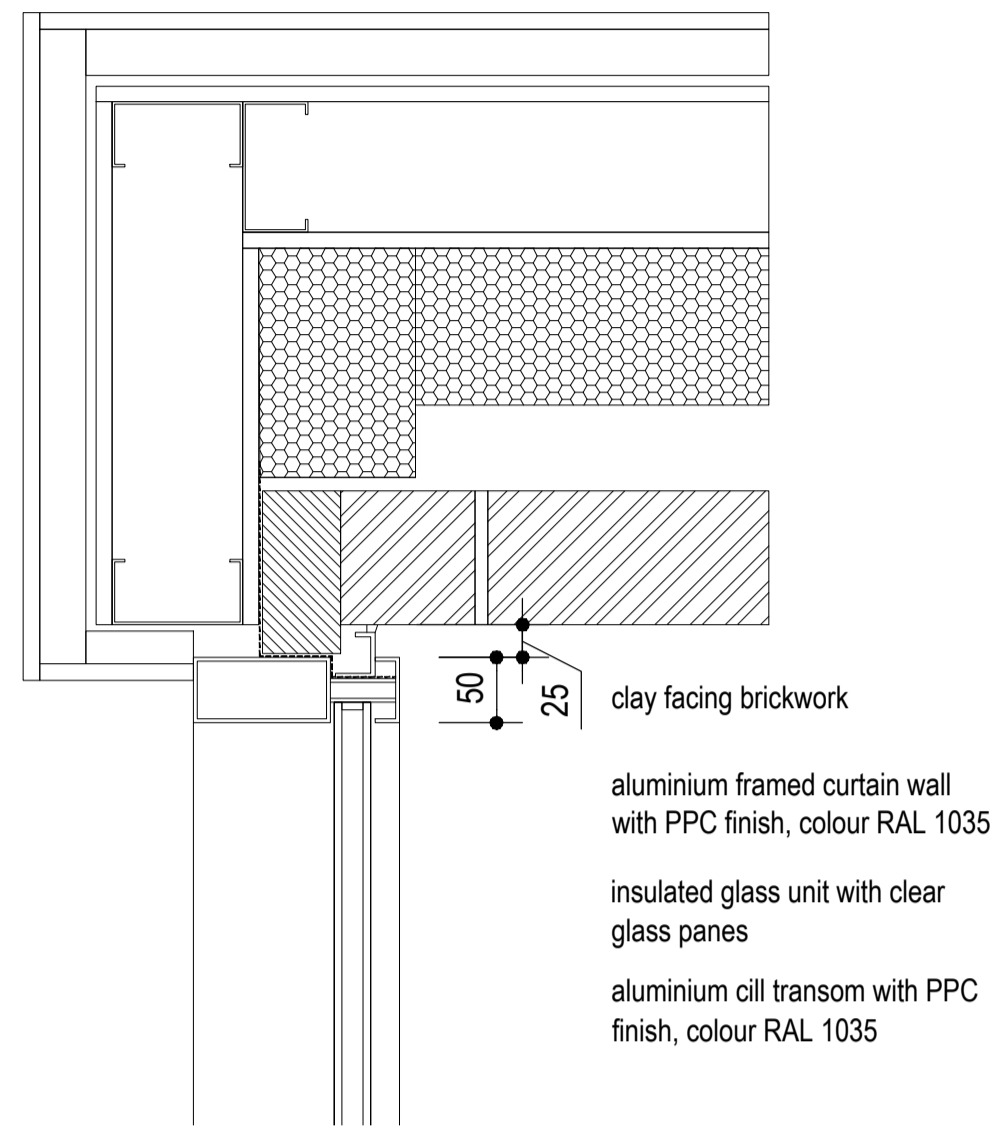
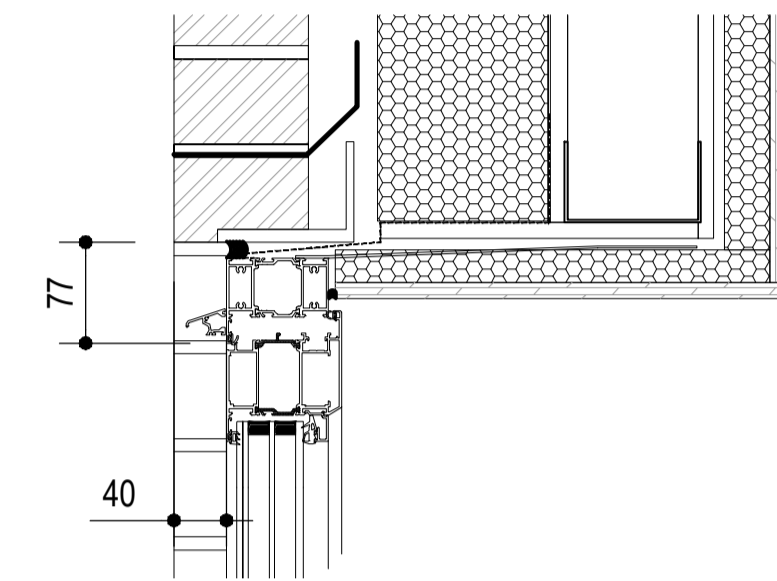


XREF'S IN THIS DRAWING

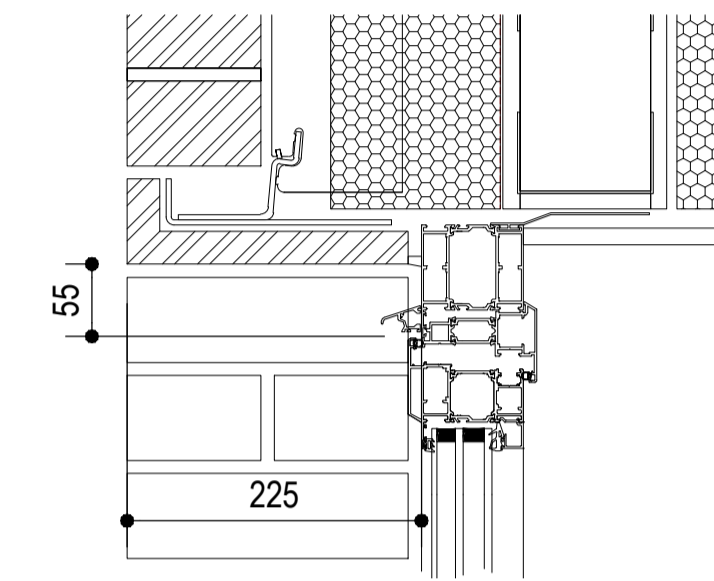
Hazard Warning Schedule		
HAZARD		COMMENTS / ACTION



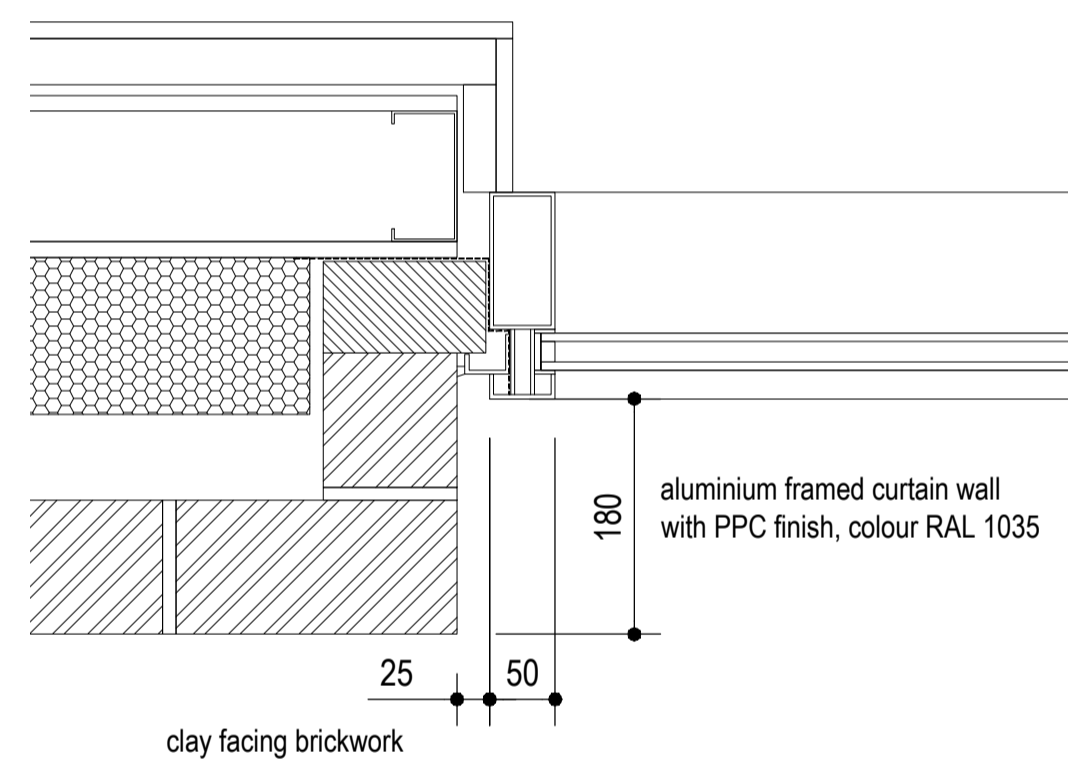
Typical Ground Floor Curtain Walling Jamb Perpendicular to Wall



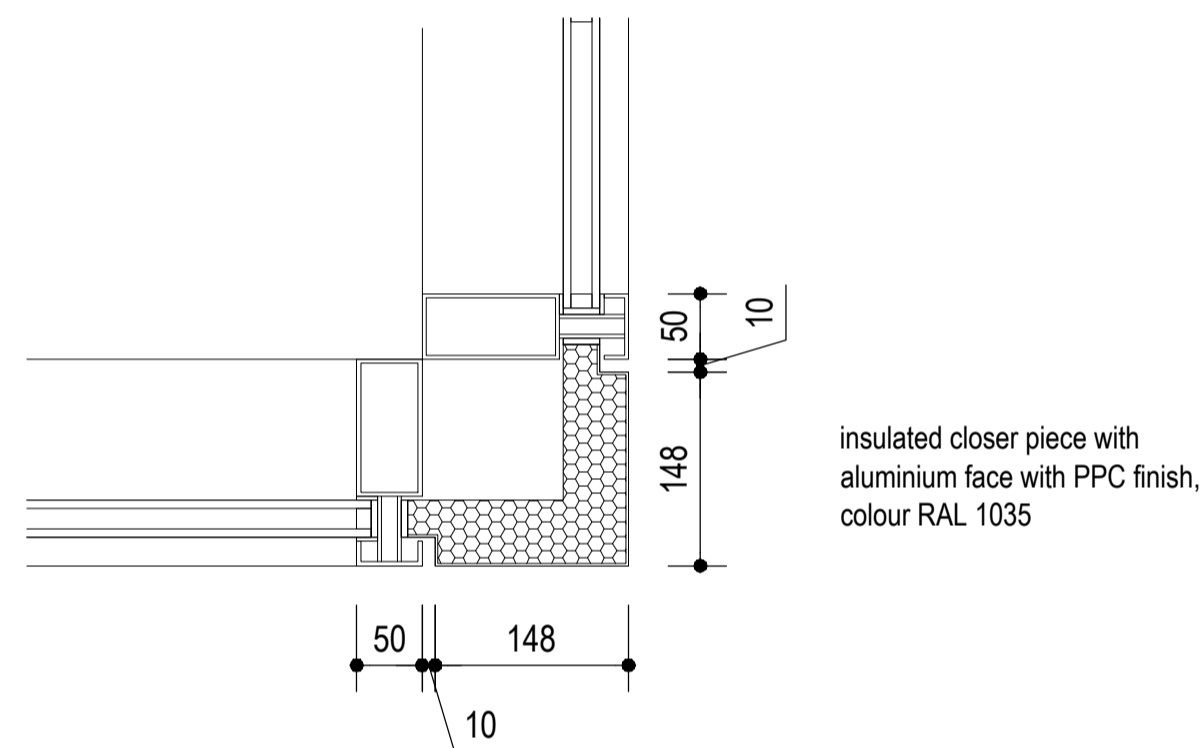
Block G Typical Window Head Detail



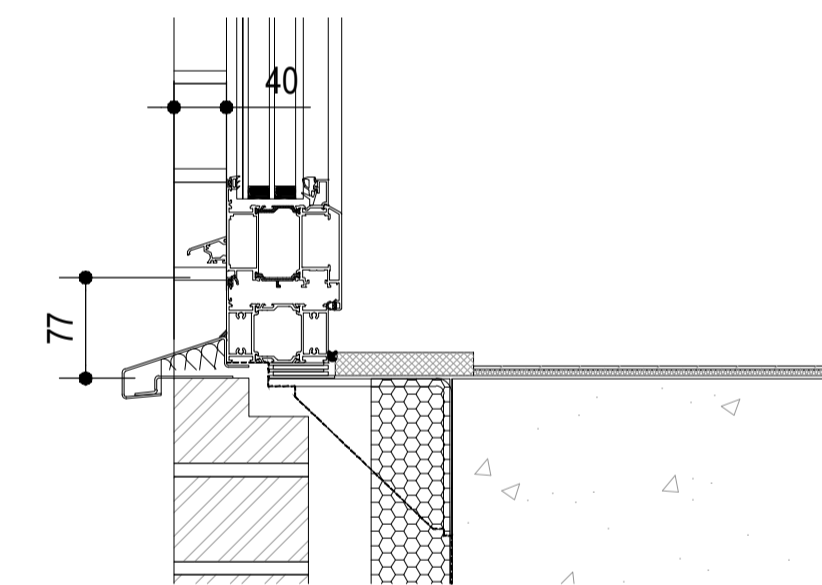
Blocks A-F Typical Window Head Detail



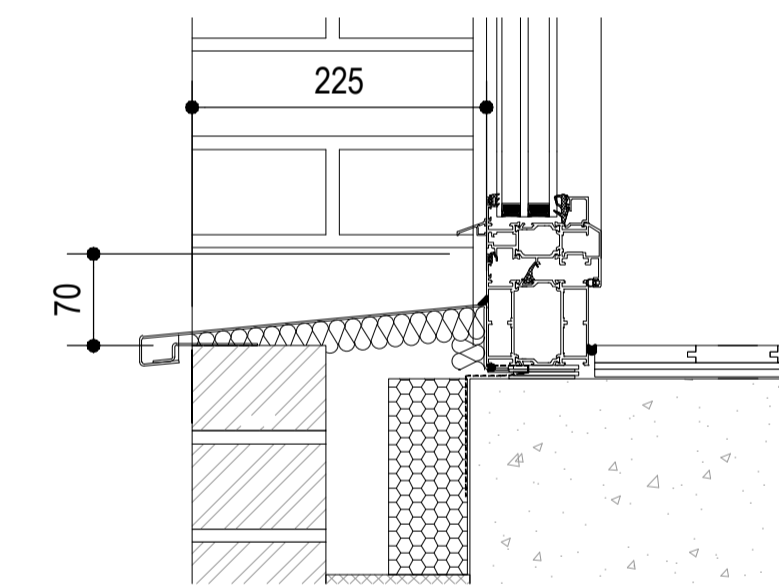
Typical Ground Floor Curtain Walling Jamb to Wall



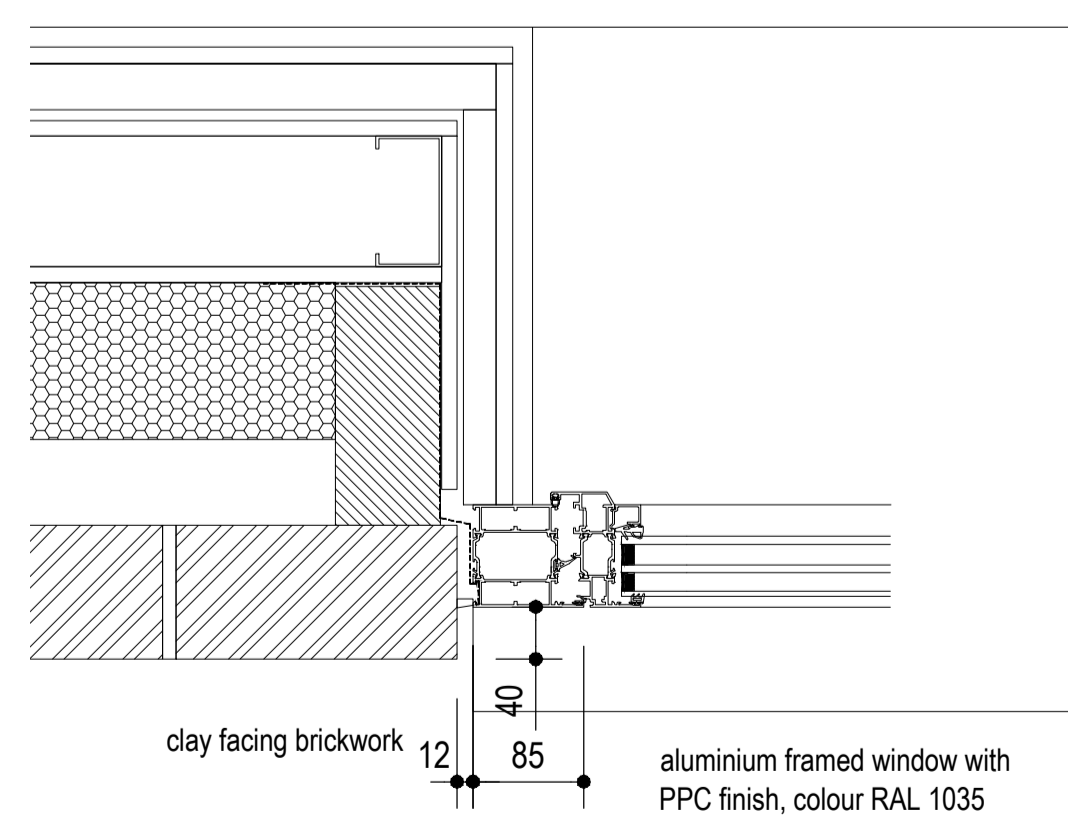
Typical Ground Floor Curtain Walling External Corner Detail



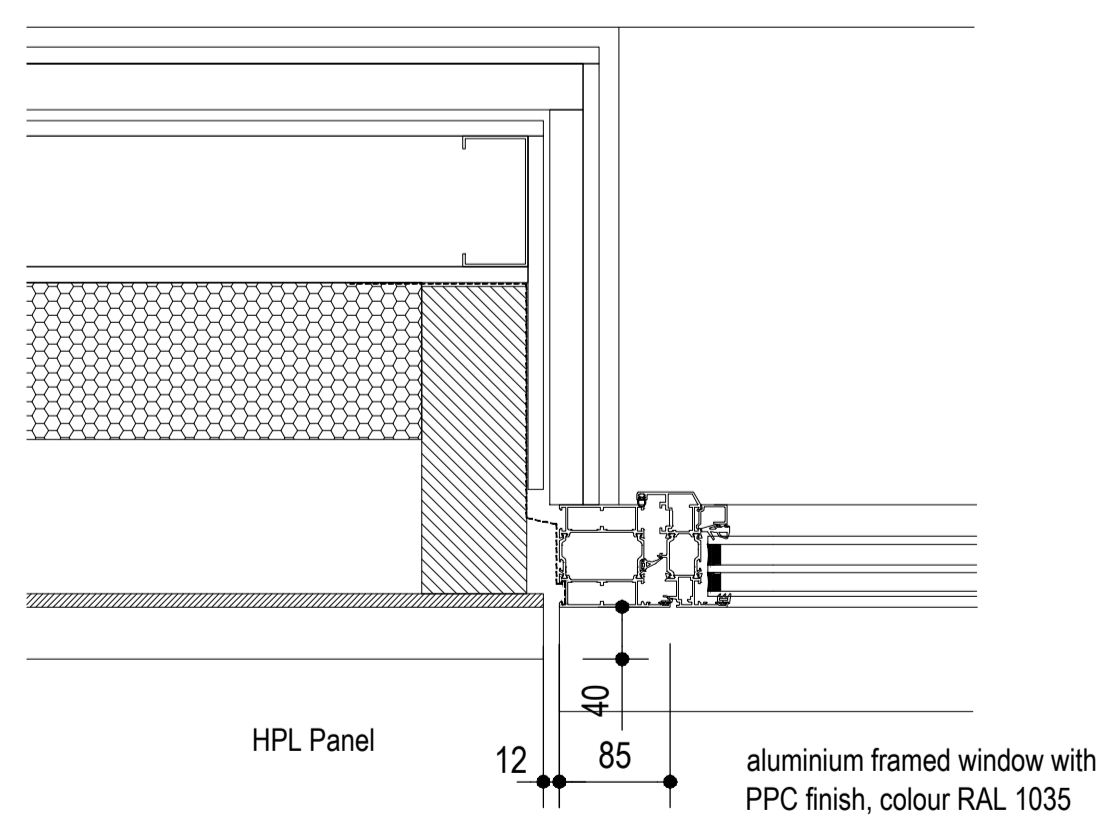
Block G Typical Window Cill Detail



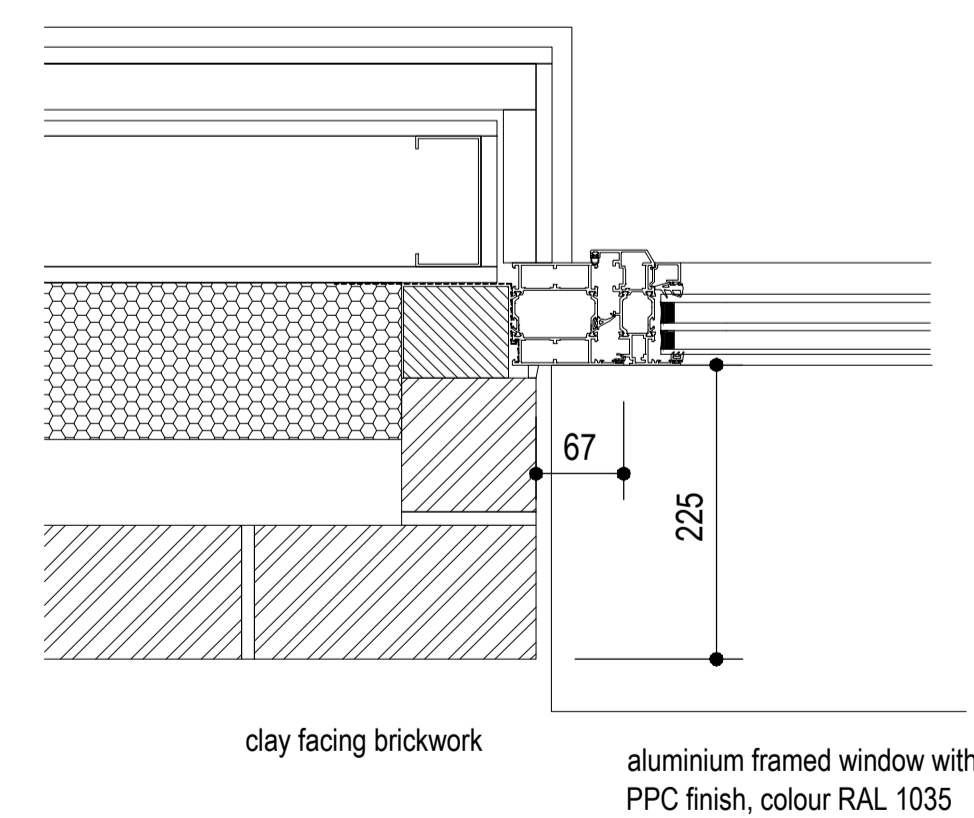
Blocks A-F Typical Window Cill Detail



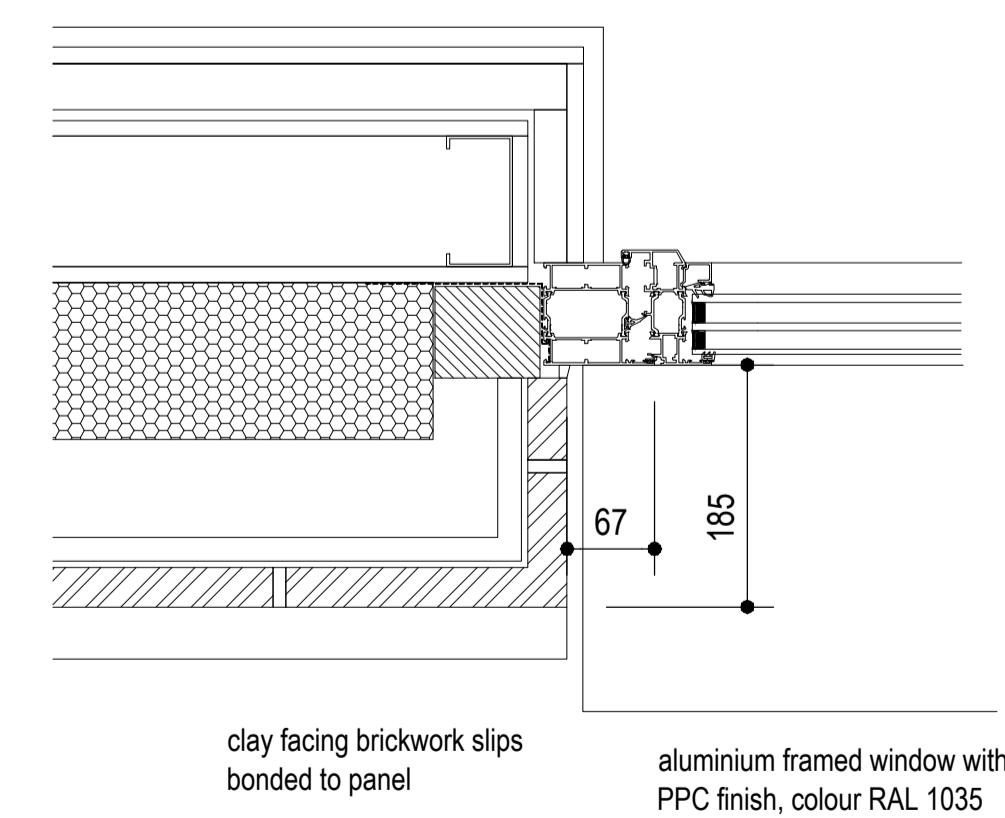
Block G Typical Window Jamb to Masonry



Block G Typical Window Jamb to HPL Cladding



Blocks A-F Typical Window Jamb to Masonry



Blocks A-F Typical Window Jamb to Recessed Masonry

No. | Date | Description | Drawn/Check by

CLIENT
 Ballymore & Network Rail

PROJECT
 West Hampstead Square

TITLE
 Typical Window and Curtain Walling Junction Setting Out

DRAWING STATUS
 For Planning

DRAWN DRJ CHECKED JA

SCALE
 1:10 @ A1
 DATE
 Dec 2014

WCEC architects

Carrwood Court, Carrwood Road
 Sheepbridge, Chesterfield, S41 9QB

t: 01246 260261, e: email@wcec.co.uk, www.wcec.co.uk

JOB NO.	DRAWING NO.	REV
12-316	PL-39	