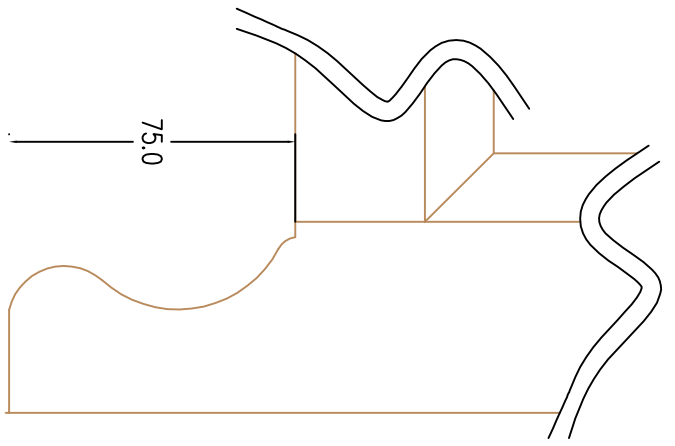
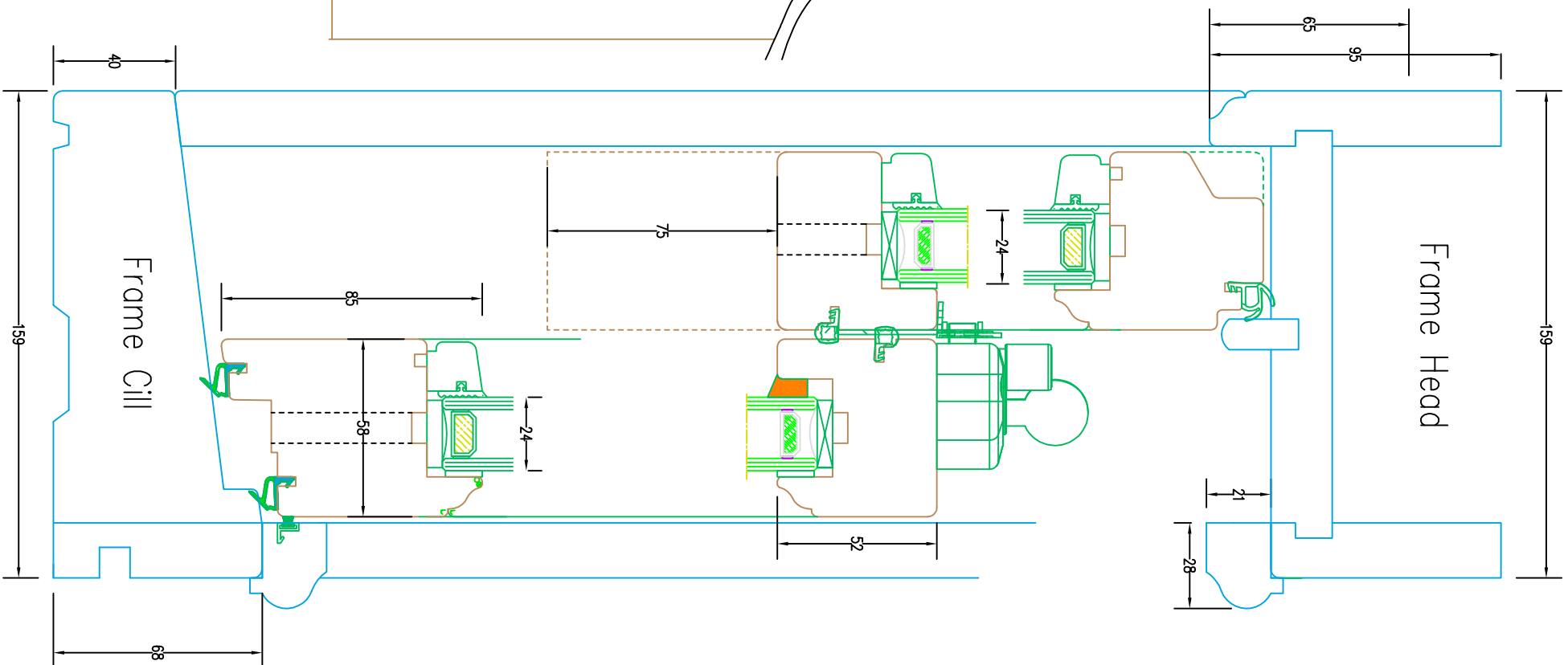
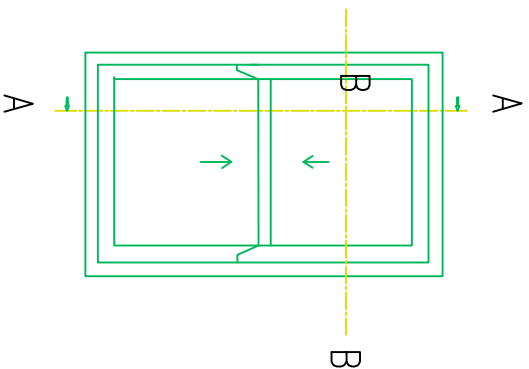
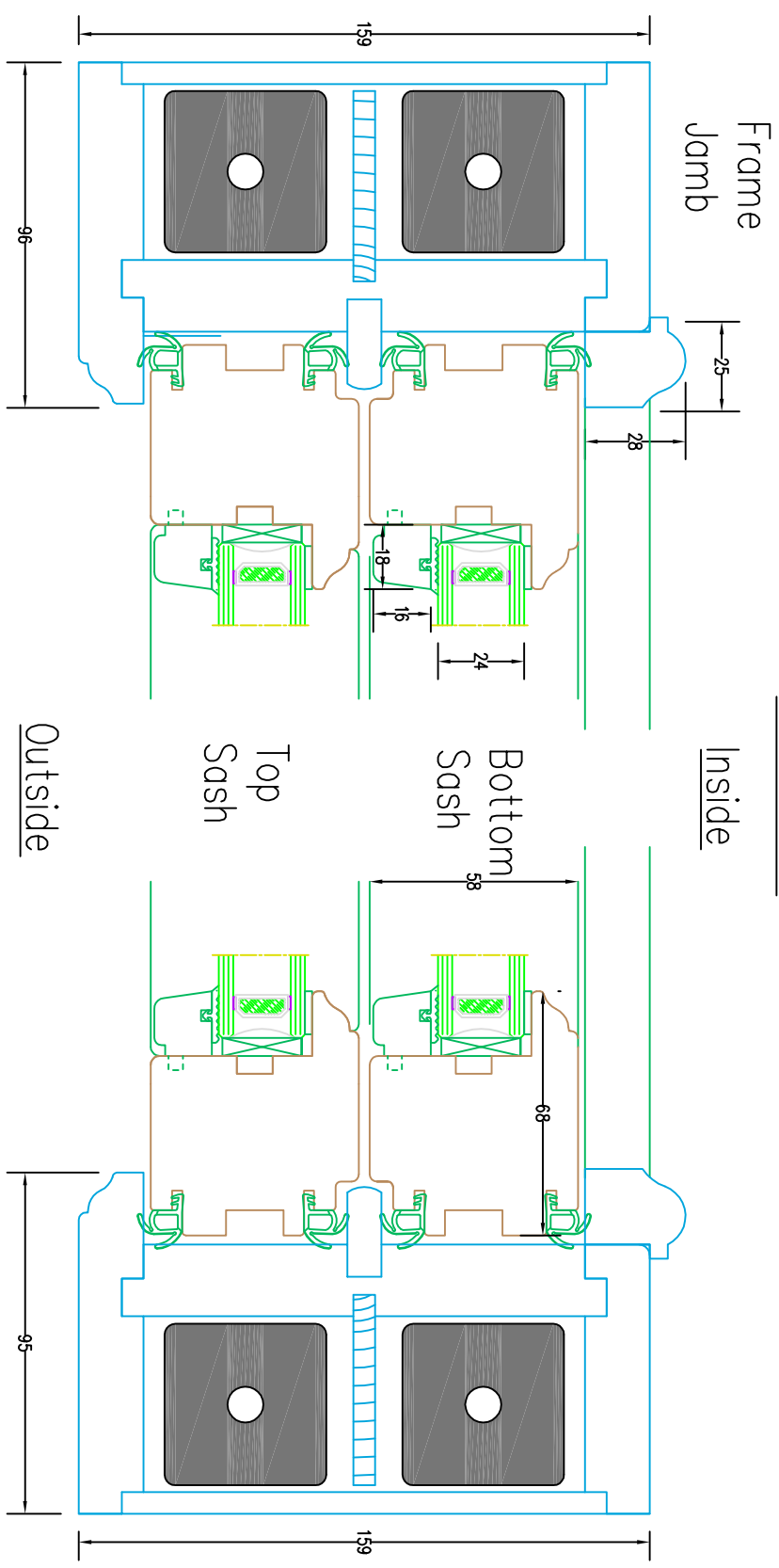


Section AA



Section BB



Elevation Sectional Drawing of External Glazed

Cords & Weights Casement

- 68x58mm Sash stiles and head.
- 85x58 Sash Bottom Rail
- 52x58 meeting rails. (45mm Optional)
- 24mm Double Glazed Unit with 18X16 bead.
- Standard External Glazed Sash Profile. (Other profiles available on request)
- 95mm Standard External Frame Architrave (Other Profiles available on request)
- 159mm O/A Frame Thickness.
- Additional Horn profiles available on request.

Title:

58mm External Glazed Cords & Weights Sliding Casement

Drawn By: DK

Scale: N.T.S

Drawing No:

Checked By:

Date: FEB 2013

EG58CW_001

