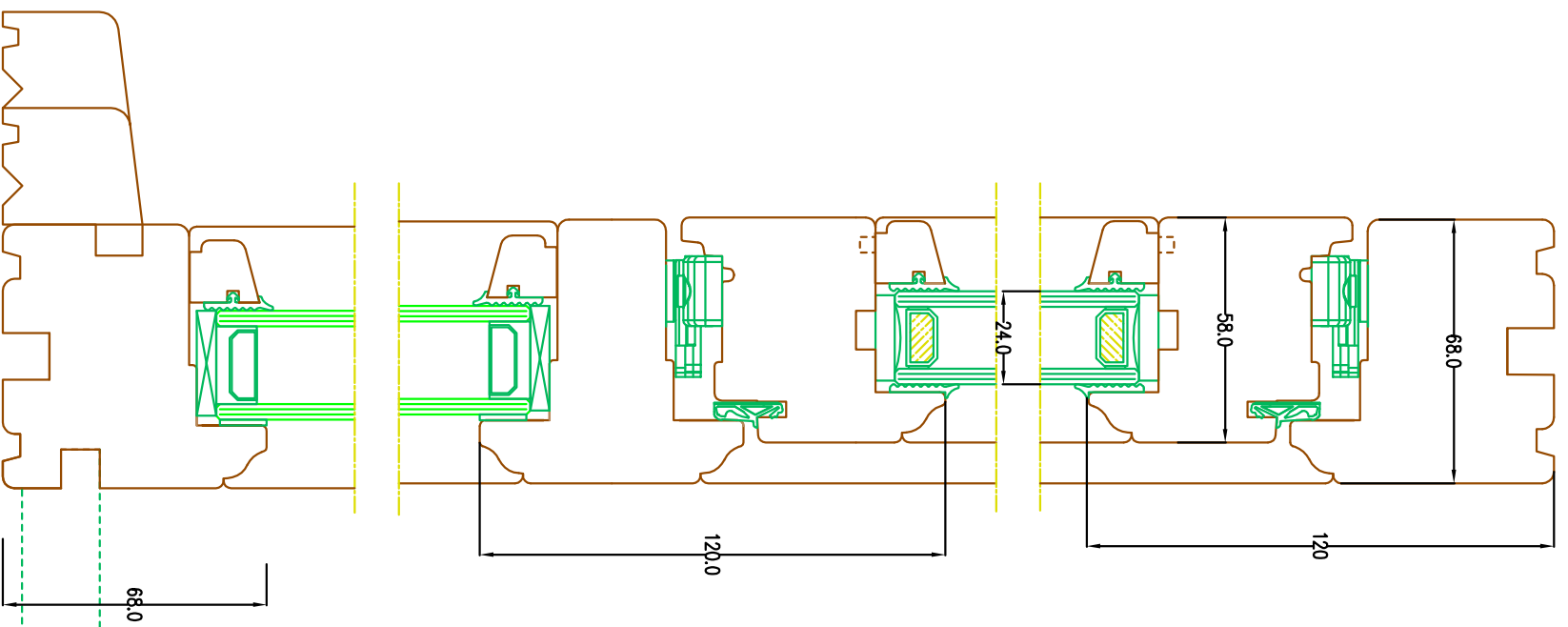
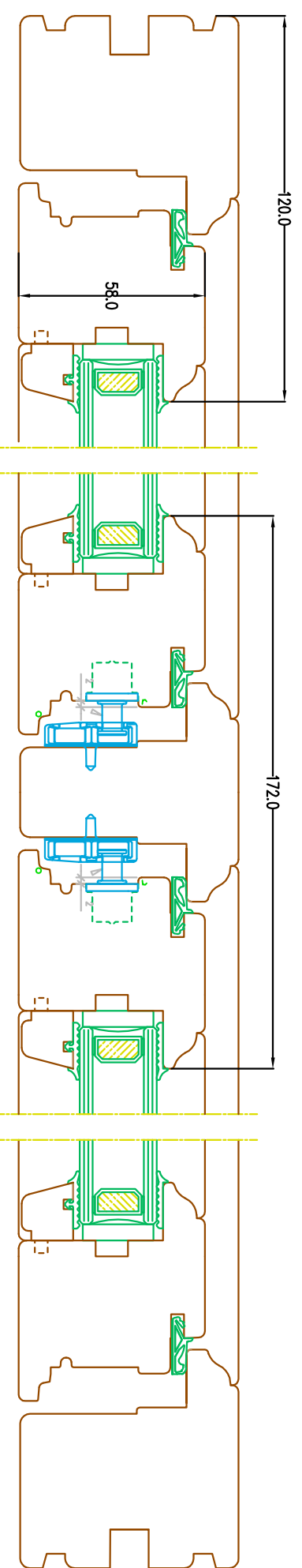


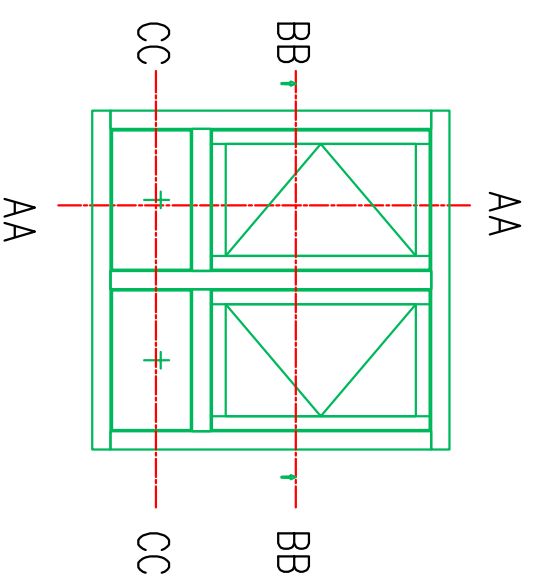
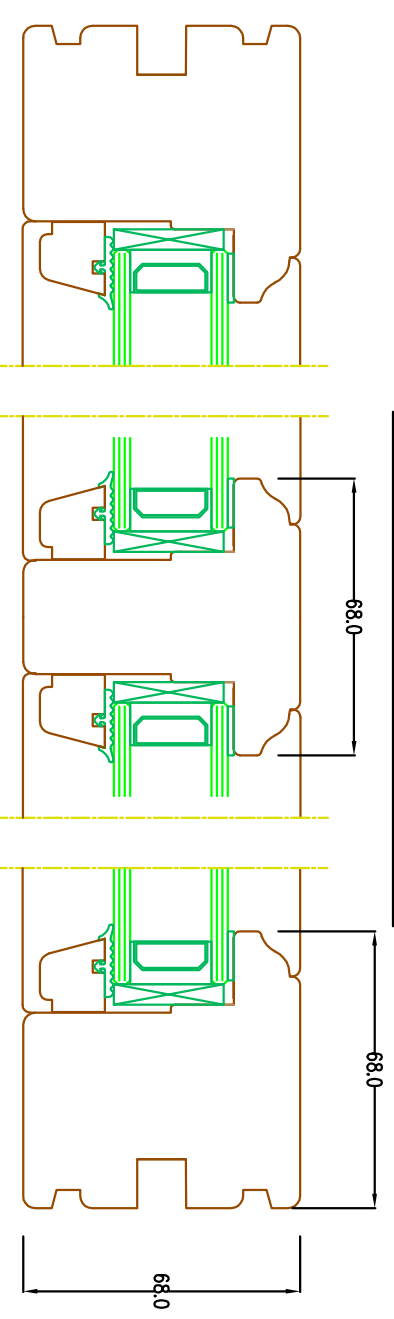
Vertical Section AA



Horizontal Section BB



Horizontal Section CC



Specification for 68mm Flush Casement

- 68x68mm Frame Jambs, Head & cill. 68x58mm Sashes.
- 68x68 Transom & Mullion.
- 24mm Double Glazed Unit with standard glazing bead, (Internal Glazed option also available).
- Framing & Sash with standard profile (Other Profiles available on request and frame widths)



Heron Joinery
Crafting Beauty & Warmth

Title: 68x58mm Flush Casement Vertical & Horizontal Cross Section

Drawn By: DK

Scale: N.T.S

Checked By:

Date: Feb 2013

Drawing No: 6858FL_003