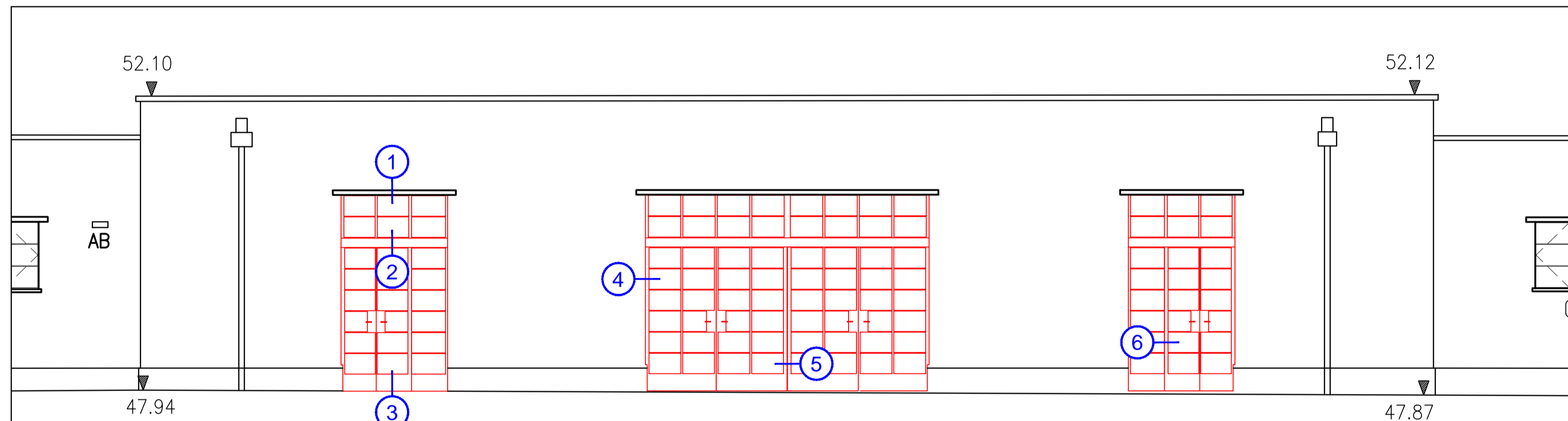
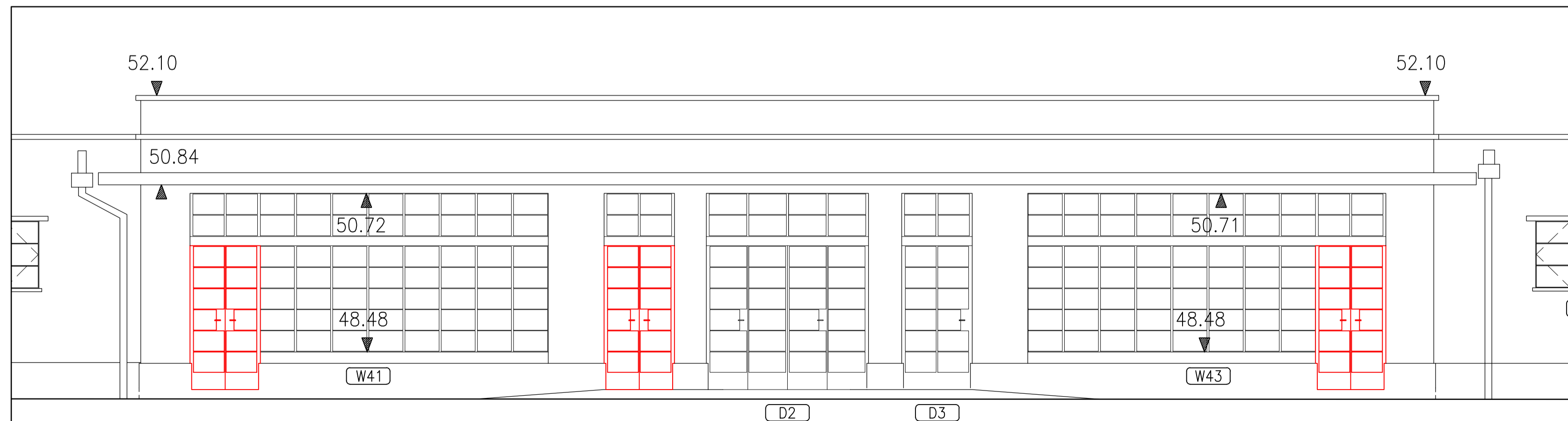


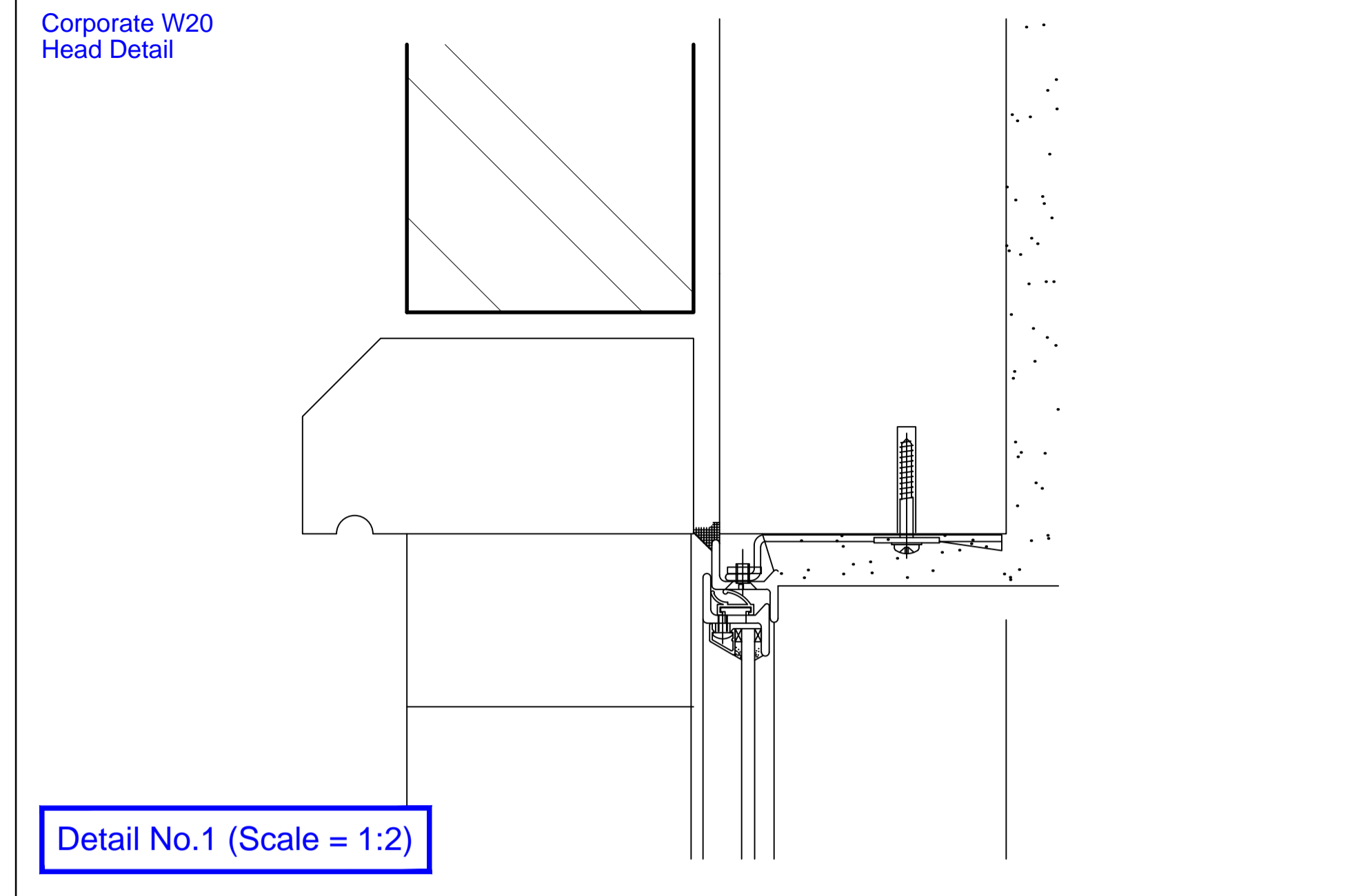
Ground Floor Plan - Scale 1:50



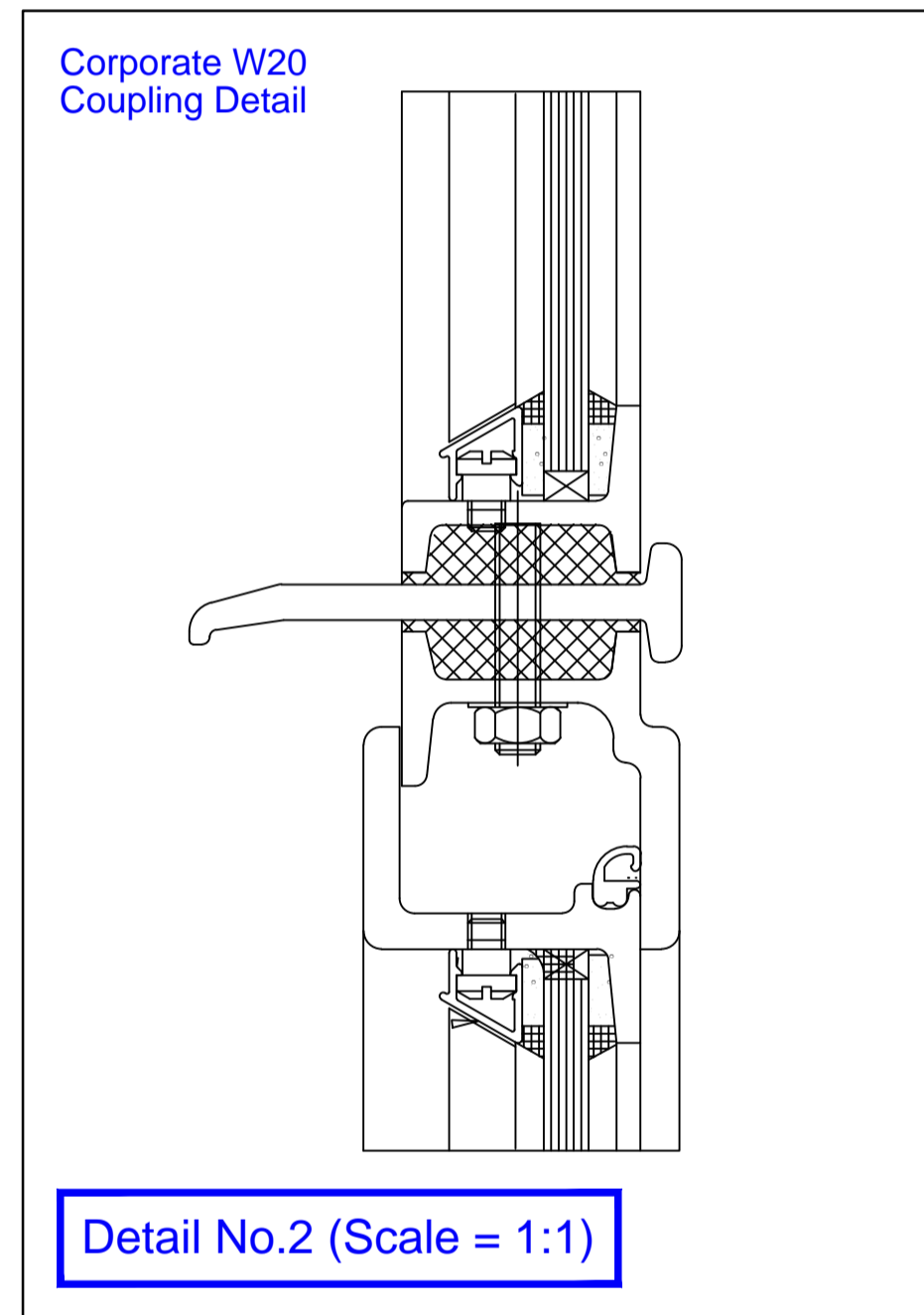
Elevation 'K' - Scale 1:50



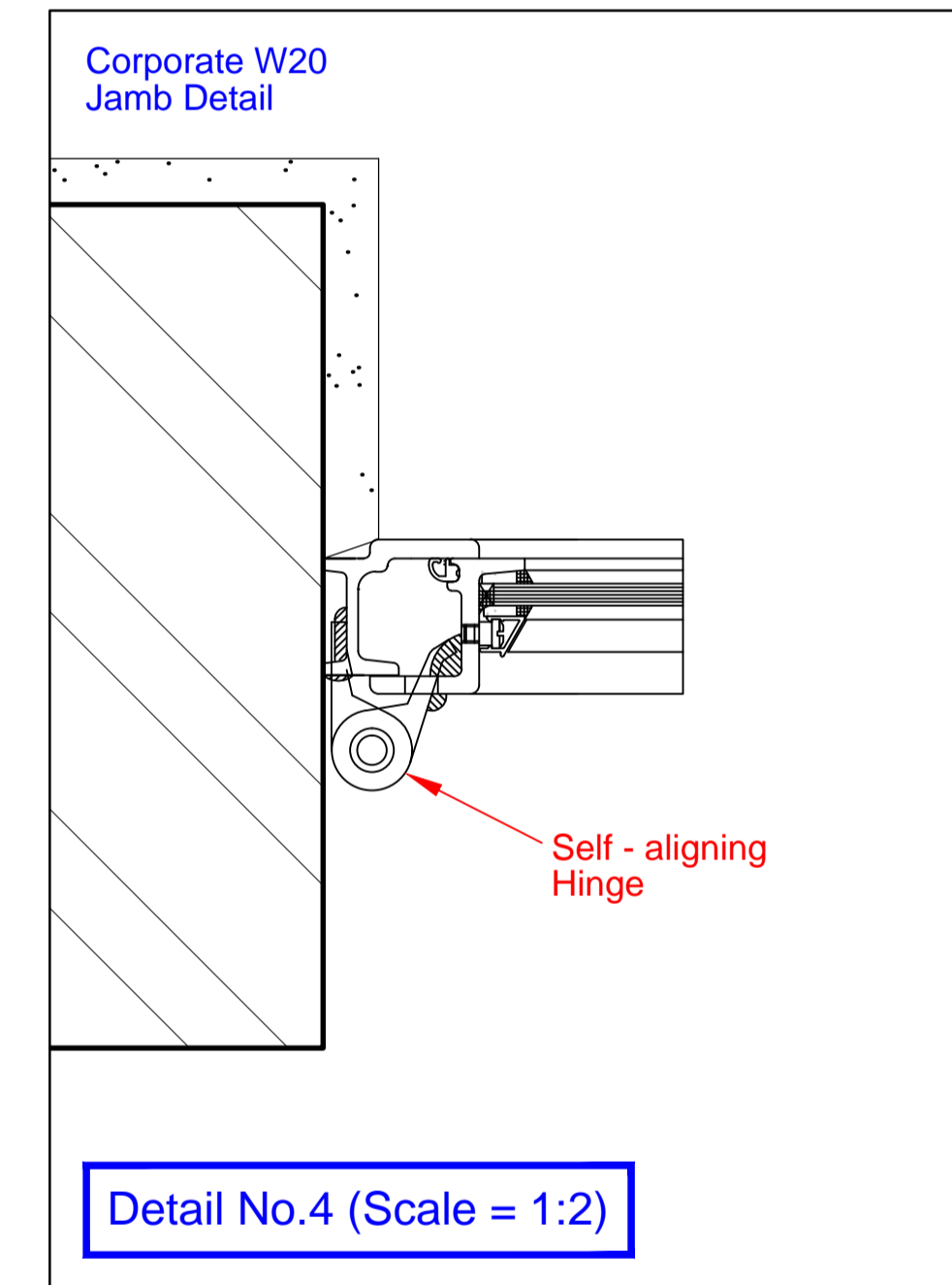
Elevation 'J' - Scale 1:50



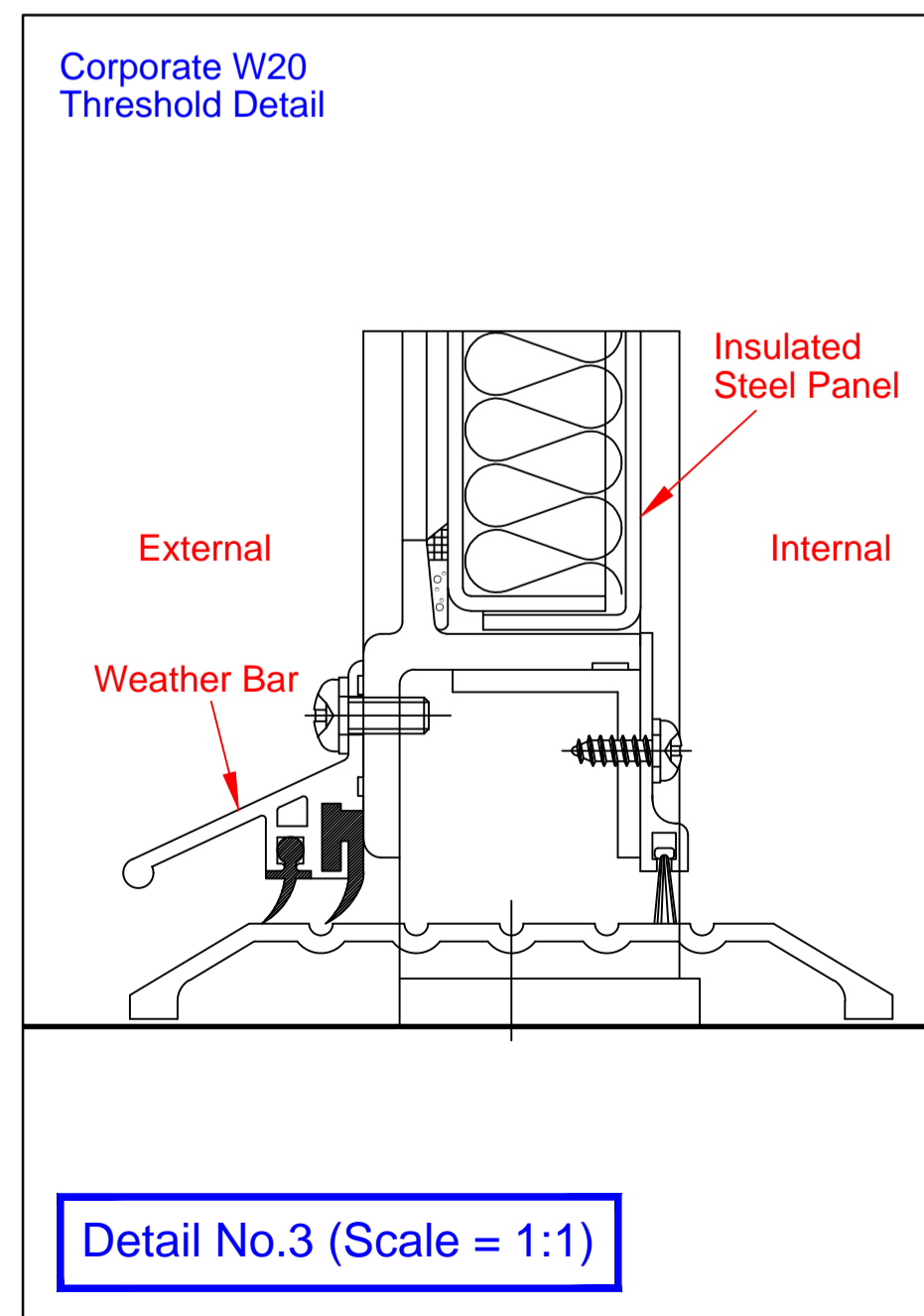
Detail No.1 (Scale = 1:2)



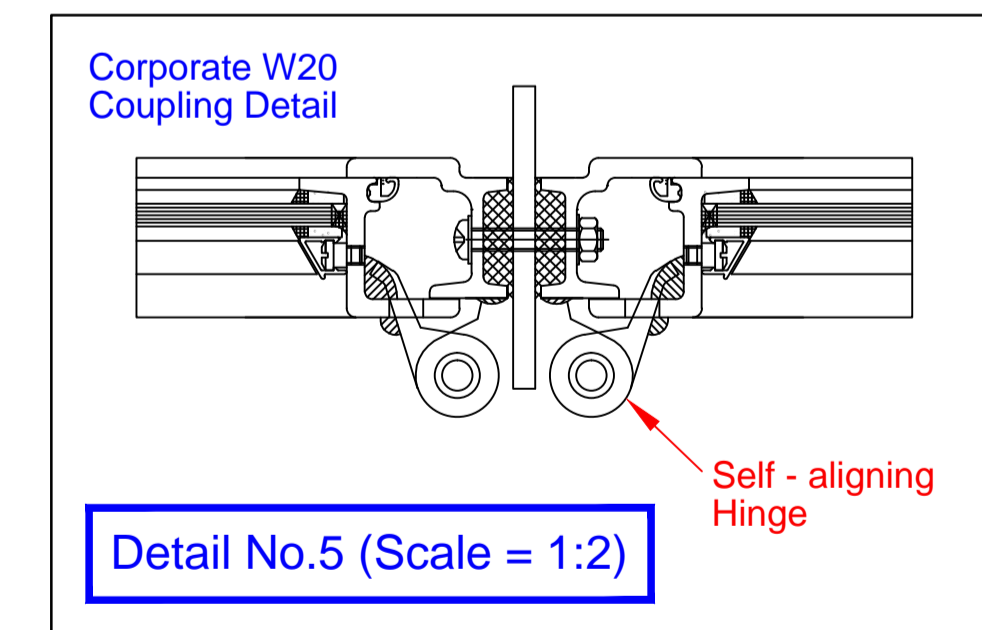
Detail No.2 (Scale = 1:1)



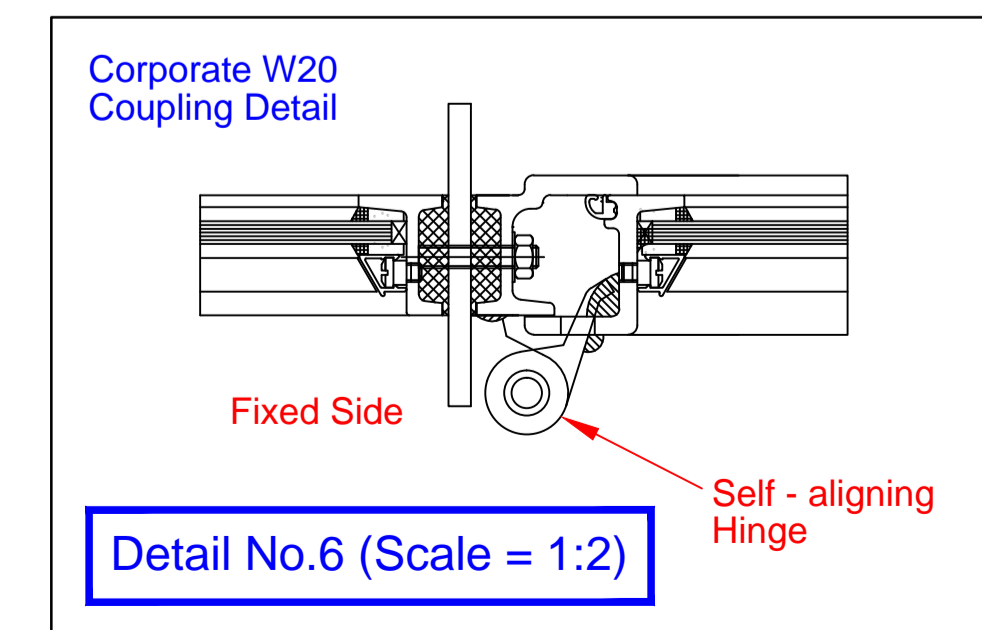
Detail No.4 (Scale = 1:2)



Detail No.3 (Scale = 1:1)

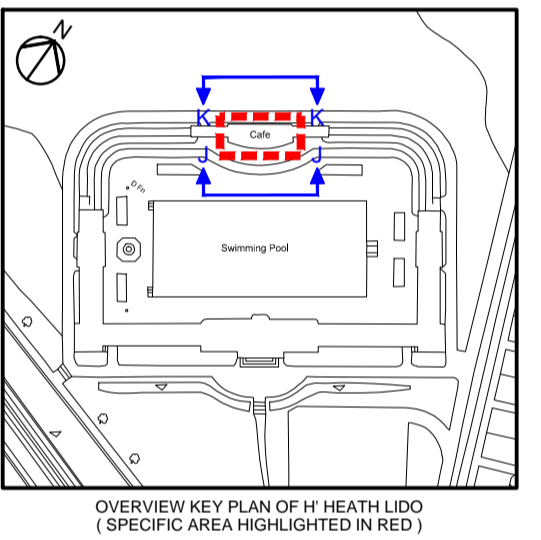
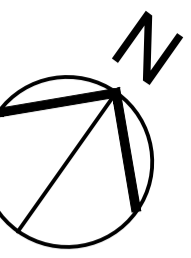


Detail No.5 (Scale = 1:2)



Detail No.6 (Scale = 1:2)

Notes  
Do not scale. All dimensions to be checked on site.  
Errors to be reported to supervising officer.



Rev	Drawn	Date

**CITY OF LONDON**  
*P.G. Bennett, MA (Cantab) FRICS*  
 City Surveyor  
 CITY SURVEYOR'S DEPARTMENT  
 Property Projects Group  
 Plans & Research Section

Project :  
**PARLIAMENT HILL FIELDS LIDO CAFE BUILDING MODIFICATIONS**

Drawing :  
**CAFE FLOOR PLAN, ELEVATIONS AND DOOR DETAILS (PROPOSED)**

Scale at A1:	AS SHOWN	Drawn by:	S.B.
Des:	D.F.	App:	
Date:	DEC 2014	Pro code:	UPRN
Drawing No:	3-C-38438		
Revision			