



NOTE: ALLOW TO RESPRAY ALL SHOPFRONT FRAMES AND CILLS FACING EUSTON ROAD IN UMBRA GREY RAL 7022 TBC WITH LANDLORD. MC TO INVESTIGATE POSSIBILITY OF RESPRAYING FRAMES

350mm high non-illuminated RAL7022 Umbra Grey Costa letters fixed to landlords cladding by Benson Signs

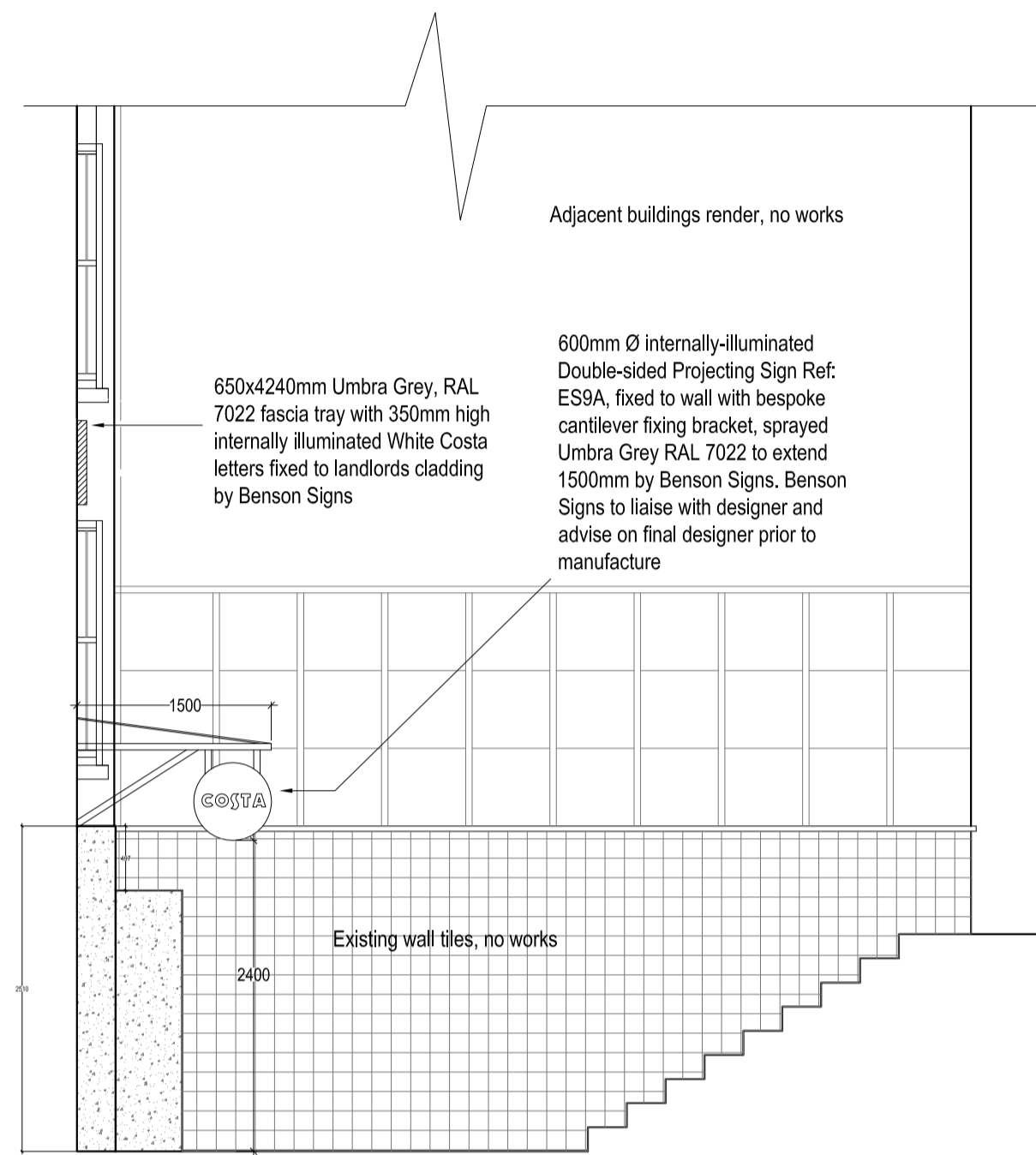
600mm Ø Internally-illuminated Double-sided Projecting Sign Ref. ES9A, fixed to fascia tray with bespoke cantilever fixing bracket, sprayed umbra grey RAL 7022, to extend 1500mm by Benson Signs. Benson Signs to liaise with designer and advise on final designer prior to manufacture

PROPOSED ELEVATION AA
EUSTON ROAD
scale 1:50

Benson Signs to provide 1030x330mm brushed s/s disabled access sign fixed to wall, portrait, with s/s locators. Allow for text to be printed directly onto s/s sign by Benson Signs, see bespoke sign detail A. Benson Signs to liaise with designer on final design. TBC with Landlord

MC to provide black metal vertical posts to existing balustrade where required to match existing, exact size TBC on site.

DDA bell required so staff can escort disabled customers to side entrance. Allow to provide DDA directional signage for hotel entrance.



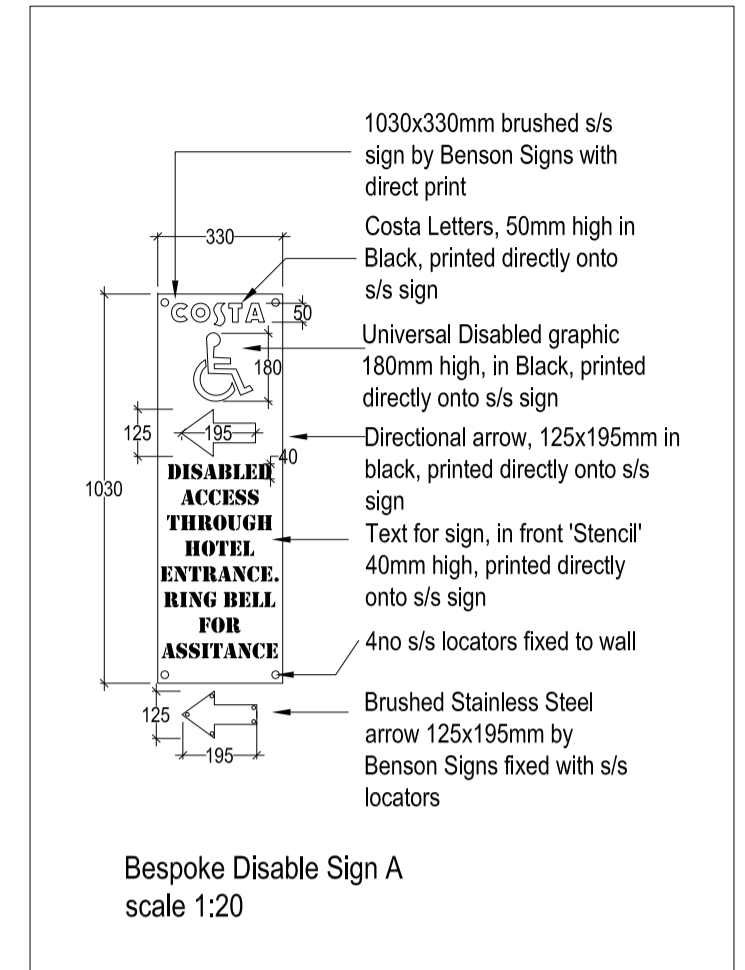
SIDE ELEVATION BB
scale 1:50

Adjacent buildings render, no works

650x4240mm Umbra Grey, RAL 7022 fascia tray with 350mm high internally illuminated White Costa letters fixed to landlords cladding by Benson Signs

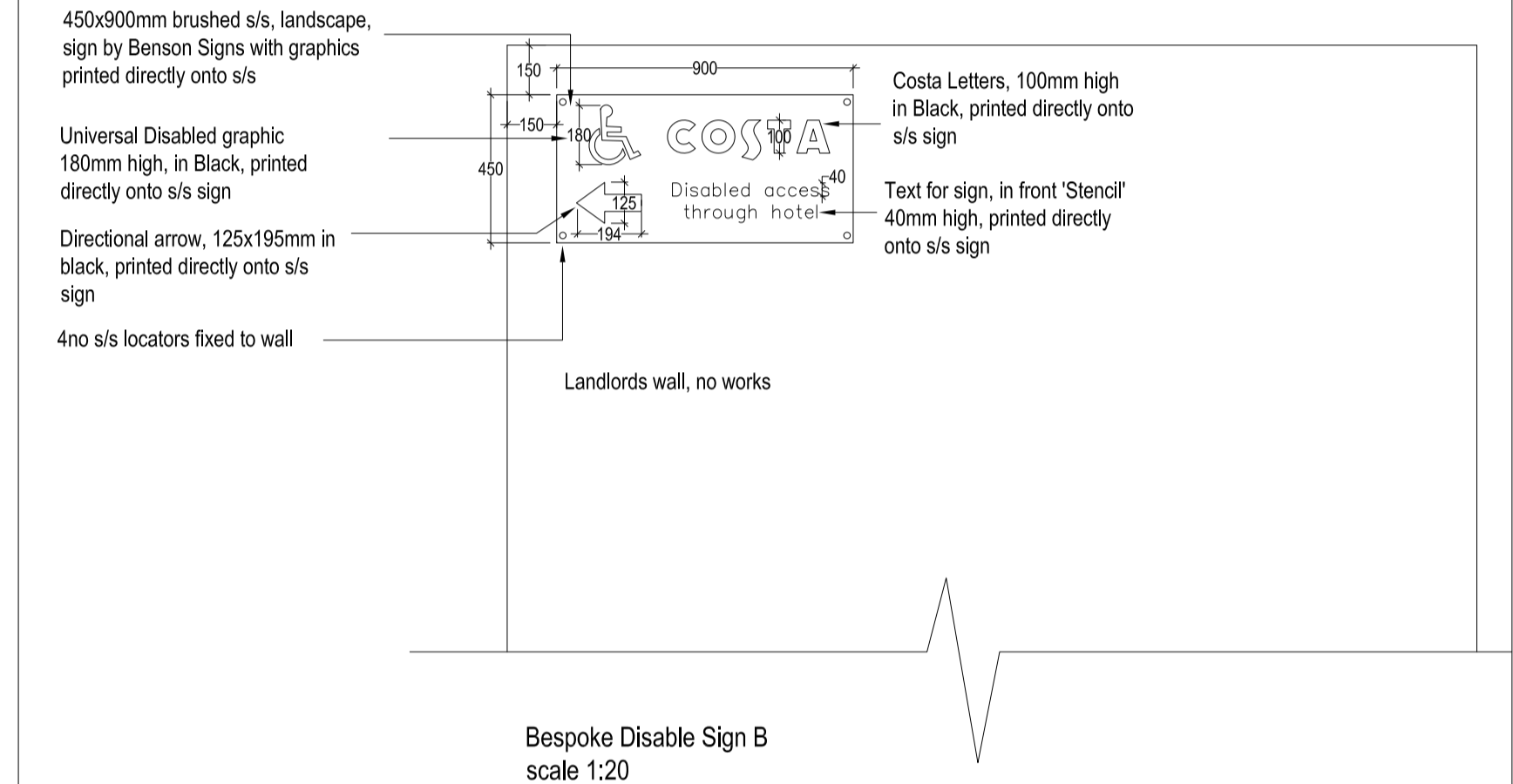
600mm Ø internally-illuminated Double-sided Projecting Sign Ref. ES9A, fixed to wall with bespoke cantilever fixing bracket, sprayed Umbra Grey RAL 7022 to extend 1500mm by Benson Signs. Benson Signs to liaise with designer and advise on final designer prior to manufacture

Existing wall tiles, no works



Bespoke Disable Sign A
scale 1:20

1030x330mm brushed s/s sign by Benson Signs with direct print
 Costa Letters, 50mm high in Black, printed directly onto s/s sign
 Universal Disabled graphic 180mm high, in Black, printed directly onto s/s sign
 Directional arrow, 125x195mm in black, printed directly onto s/s sign
 Text for sign, in front 'Stencil' 40mm high, printed directly onto s/s sign
 4no s/s locators fixed to wall
 Brushed Stainless Steel arrow 125x195mm by Benson Signs fixed with s/s locators



Bespoke Disable Sign B
scale 1:20

450x900mm brushed s/s, landscape, sign by Benson Signs with graphics printed directly onto s/s
 Universal Disabled graphic 180mm high, in Black, printed directly onto s/s sign
 Directional arrow, 125x195mm in black, printed directly onto s/s sign
 4no s/s locators fixed to wall

Costa Letters, 100mm high in Black, printed directly onto s/s sign
 Text for sign, in front 'Stencil' 40mm high, printed directly onto s/s sign

Landlords wall, no works



PROPOSED ELEVATION CC
NORTH GOWER STREET

Benson Signs to provide 450x900mm brushed s/s disabled access sign fixed to wall, landscape, with s/s locators. Graphic to be printed directly onto s/s sign, see bespoke sign detail B. Benson Signs to liaise with designer on final design. TBC with Landlord

New fabric awning by Shades of comfort. Awning roller box to be in Costa Red
 1500
 2no 600mm Ø internally-illuminated Double-sided Projecting Sign by Benson Signs Ref: ES9B
 3570
 2400

SEA DESIGN GROUP

Client		COSTA	
Project		Euston Square Hotel, London	
Drawing Title		External Signage Elevations	
Scale	1:50 @ A1	Date	31.10.14
Drg No	213093/03	Rev	B
Drg By	MC	Check	SV
Revisions	By	Date	
A	Extent of awning projection indicated. Revisions rationalised. SA	17.11.14	
B	Fascia sign replaced with individual Costa letters. Revisions rationalised. SA	10.12.14	