

Rev No	Description	Drawn by	Date

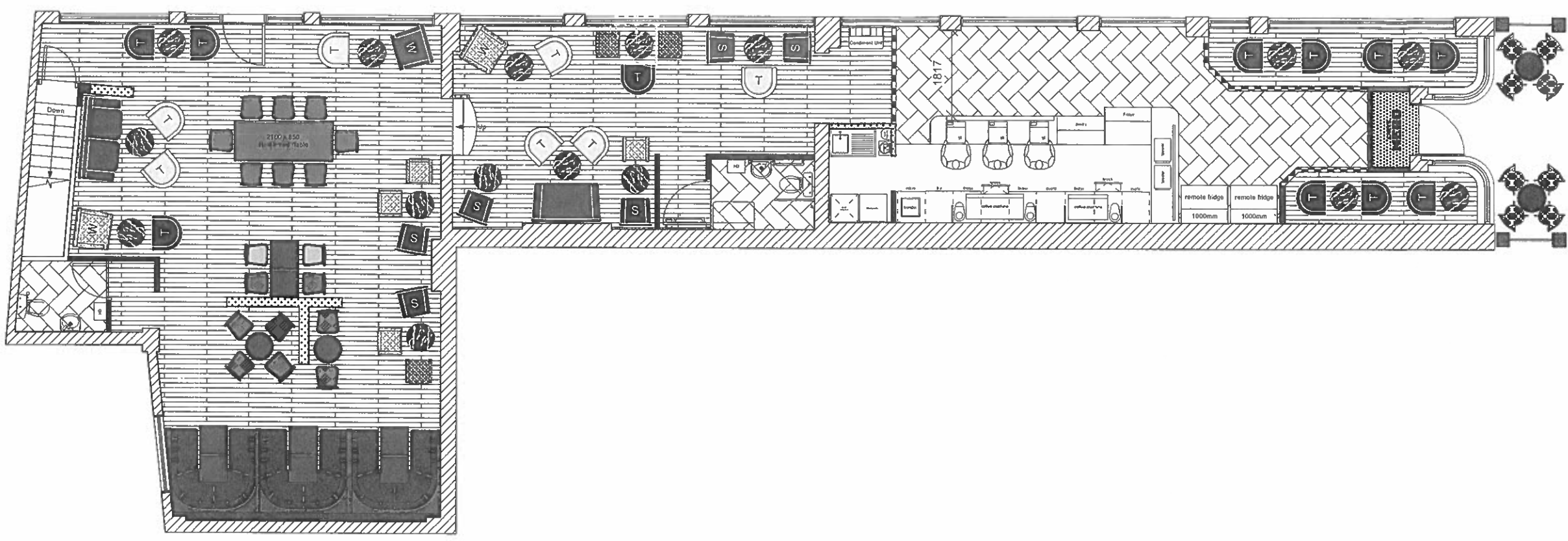
**Notes**

This drawing represents a performance guide upon which the contractor/subcontractor must base his/her working drawings & details. Include all necessary tolerances prior to manufacture and installation

Contractor to must undertake a full survey of the area to establish all dimensions & ensure accurate setting out.

Advise on suitability of all details shown to ensure structural stability, ease and economy of construction

Refer to digital master artwork in regard to all graphic work shown



**bedrock**

Bedrock Design Consultants Ltd  
2nd Floor, 39 Gold Street, Northampton,  
NN1 1RA  
T 01604 250002  
F 01604 250003  
info@bedrockdesign.co.uk

Client  
Caffe Nero

Project  
126 Tottenham Court Road

Description  
Proposed Ground Floor Layout

Scale 1/100@ A3    Drawn by JS    Date 07/08/2012

Drawing N° CN548 - 100    Revision

This drawing is the copyright of Bedrock Design Consultants Ltd. This drawing cannot be copied, reproduced, retained or disclosed to any unauthorised person without prior permission in writing from the designer.

2no. Houston mahogany chair  
Beige leather upholstered  
Spectrum Vinyl Natural 454329  
seat pad and Sunbury Design  
Faux Leather: Nevada Barbury  
7443 piping

4no. Houston mahogany chair  
Brown fabric upholstered - Sunbury  
Design Serena Beaver P611 fabric  
seat pad & Faux Leather: Nevada  
Barbury 7443 piping

4no. Houston mahogany chair  
red fabric upholstered - Sunbury  
Design Serena Bloodstone P603  
fabric seat pad & Faux Leather:  
Nevada Barbury 7443 piping

4no. Cream Dining Chairs  
Fabric Ref: Sunbury Impressions  
range D73 Mikado latte 7322

3no. Black Dining Chairs  
Fabric Ref: Sunbury Impressions  
range D73 Mikado Anthracite 7314

4 Black Spoonback

2 Brown Spoonback

2 Cream Wingback chair  
Fabric Ref: Sunbury  
Impressions range D73 Mikado  
latte 7322

1 Dark Brown Wingback chair

4 Black Tub chair  
with Parchment Piping

7 Parchment Tub chair  
with Black Piping

1no. Brown Antique Sofa

1no. Brown leather two  
seater Spoonback

10 Black and Gold  
granite table tops

2 Round mahogany  
table tops

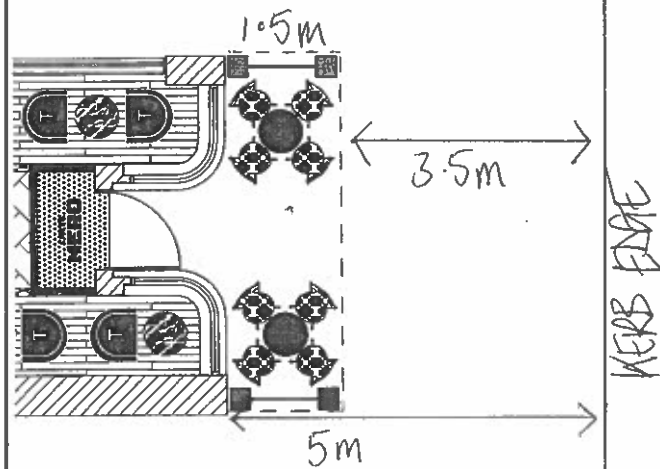
2 Square mahogany  
table tops

1no. Reclaimed table  
2200mm x 850mm &  
8no. Reclaimed chairs  
from Richard Hamilton

2 Brass Rimmed External Table

8 Black Rattan External Chair

2 Caffe Nero Branded Barriers



Rev. No.	Description	Drawn by	Date

**Notes**

This drawing represents a performance guide upon which the contractor/subcontractor must base his/her working drawings & details. Include all necessary tolerances prior to manufacture and installation

Contractor to must undertake a full survey of the area to establish all dimensions & ensure accurate setting out.

Advise on suitability of all details shown to ensure structural stability, ease and economy of construction

Refer to digital master artwork in regard to all graphic work shown

**bedrock**

Bedrock Design Consultants Ltd  
2nd Floor, 39 Gold Street, Northampton,  
NN1 1RA  
T 01604 250002  
F 01604 250003  
info@bedrockdesign.co.uk

Client  
Caffe Nero

Project  
126 Tottenham Court Road

Description  
Proposed Ground Floor Layout

Scale	Drawn by	Date
1/100@ A3	JS	07/08/2012

Drawing N°	Revision
CN548 - 100	

This drawing is the copyright of Bedrock Design Consultants Ltd. This drawing cannot be copied, reproduced, retained or disclosed to any unauthorised person without prior permission in writing from the designer.