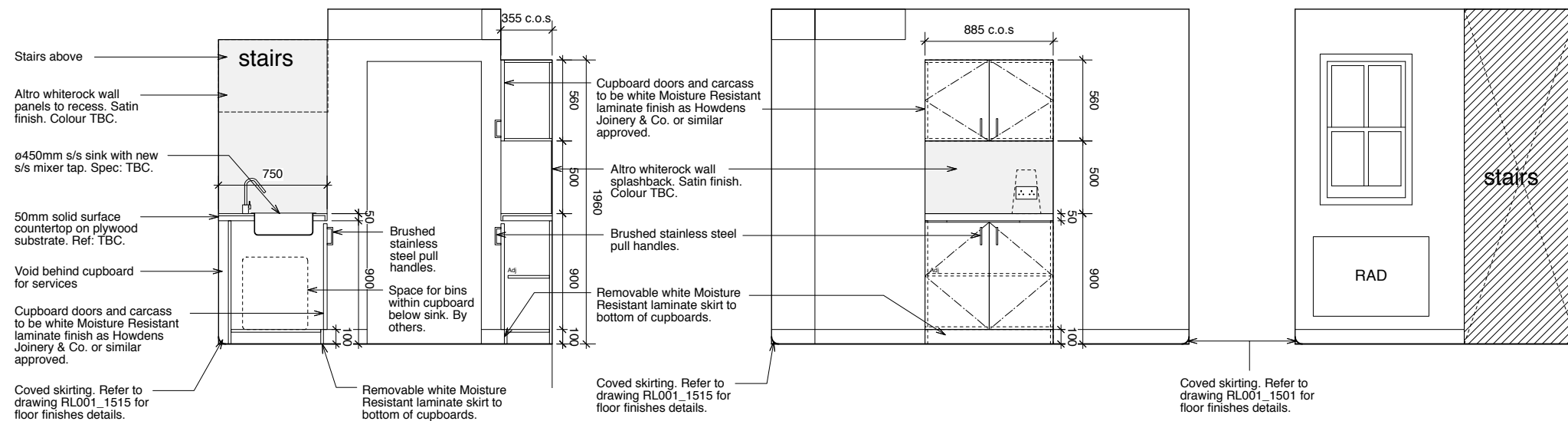


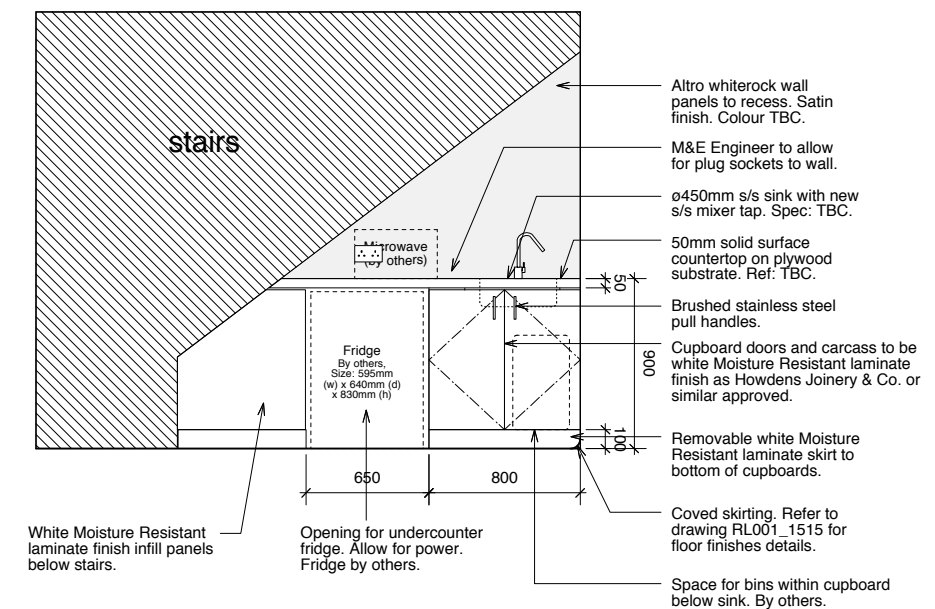
1 Kitchen Layout Plan  
5033 Scale: 1:20



2 Elevation A  
5033 Scale: 1:20

3 Elevation B  
5033 Scale: 1:20

4 Elevation C  
5033 Scale: 1:20



5 Elevation D  
5033 Scale: 1:20

Revision	Date	Initial	Amendment
A	28.11.14	AJL	Planning issue

Notes

No dimensions are to be scaled from this drawing. The contractor / manufacturer is responsible for checking all dimensions and querying any discrepancies.

This drawing is the property of Bisset Adams Ltd.

Copyright is reserved by Bisset Adams Ltd. and the drawing is issued on condition that it is not copied, reproduced, retained or disclosed to any unauthorised person, either wholly or in part, without written consent.

**Manufacturer to check all site dimensions prior to manufacture due to irregularities in the existing walls.**

	<b>Royal Holloway, University of London</b> <b>11 BEDFORD SQUARE-03-5033</b> <b>Proposed 3F Kitchen Layout</b>		<b>Planning</b> Status: Planning Date: 14.11.14 Drawn: IG Checked: ---
	Scale: 1:20 Date: 14.11.14	Status: Planning Drawn: IG Checked: ---	