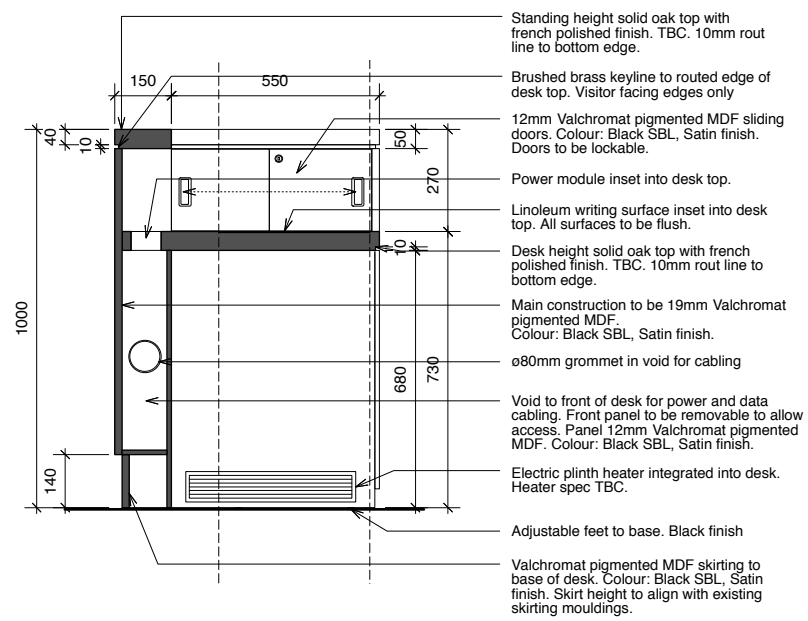
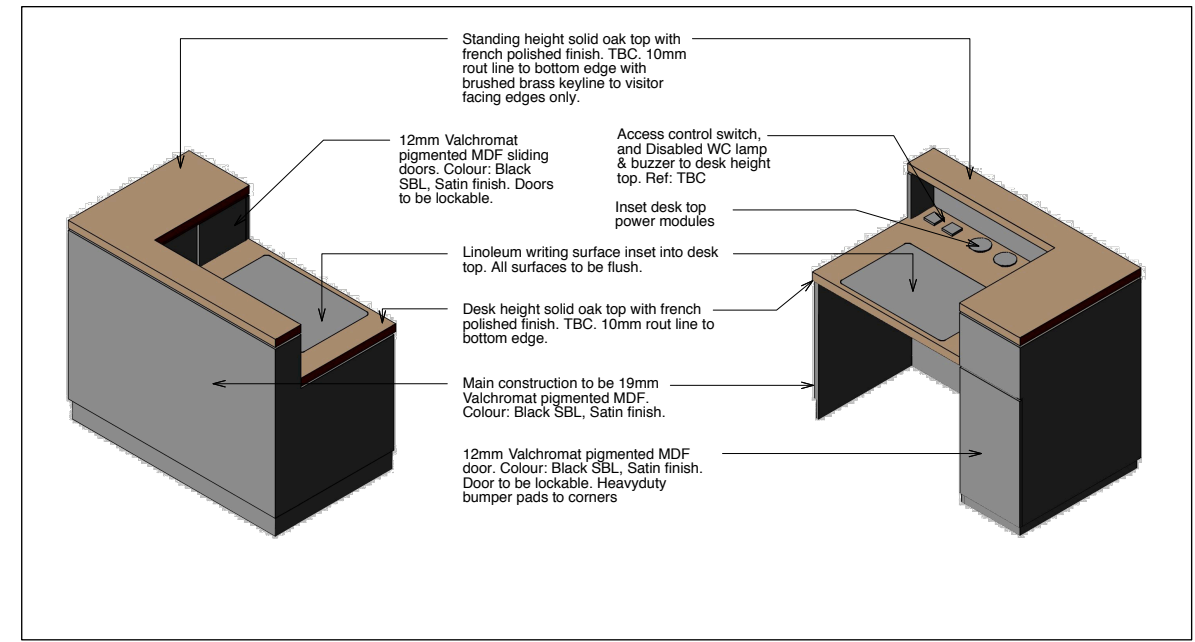


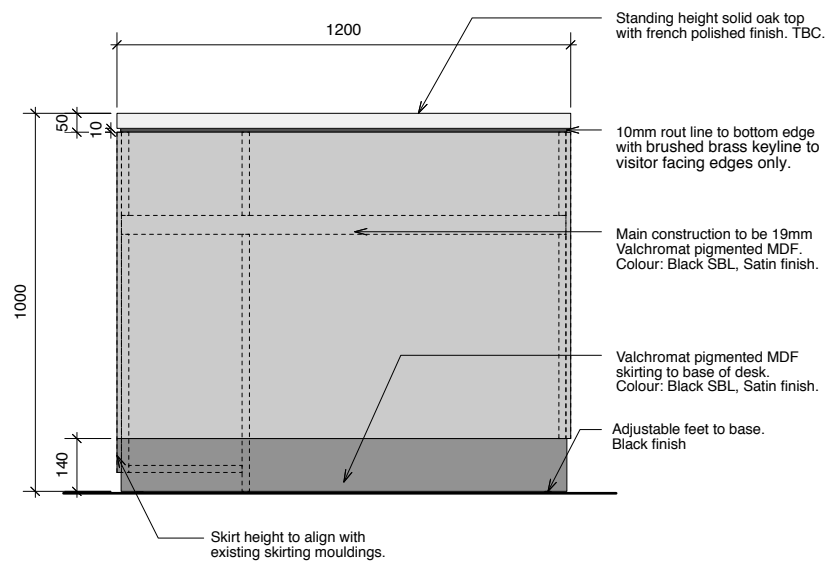
1 Reception Desk I.Lan
5040



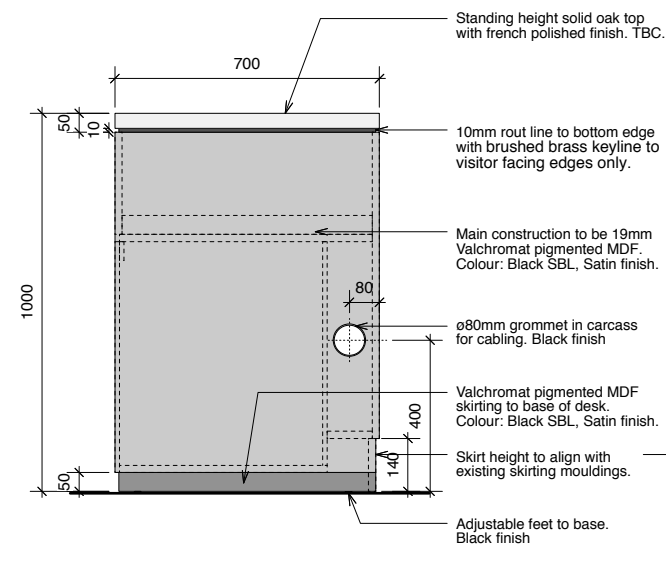
2 Section E
5040



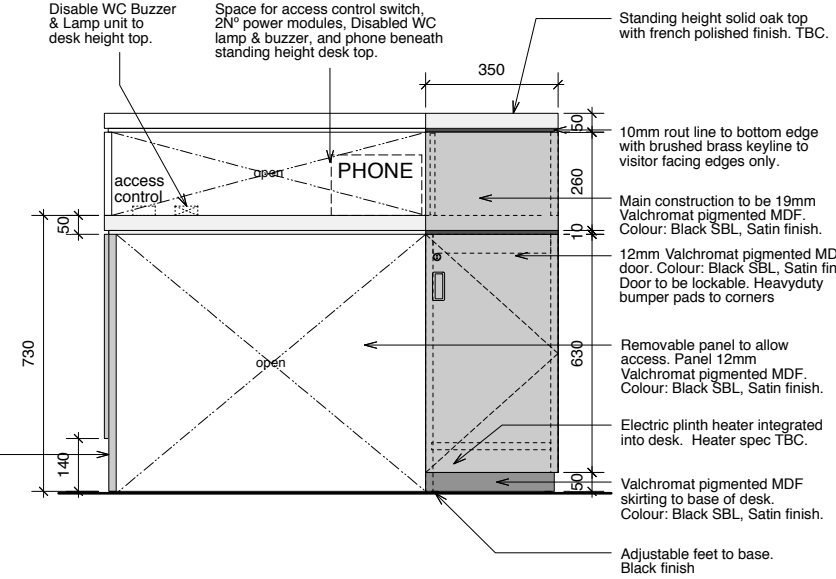
3 Isometric Views - not to scale
5040



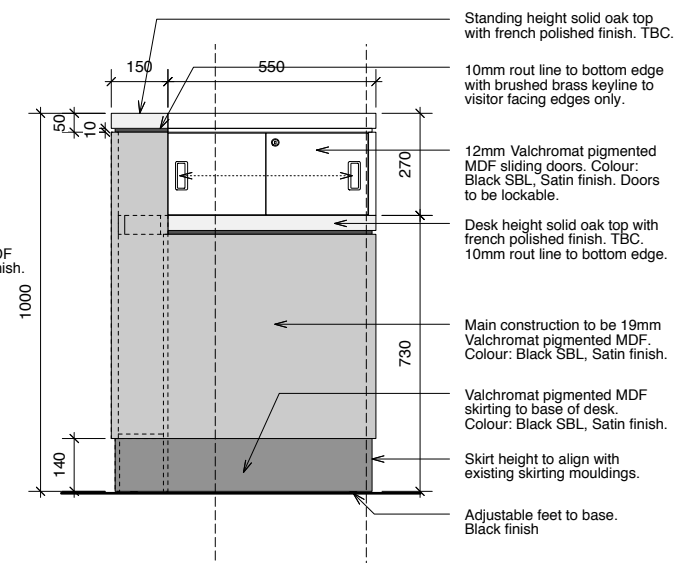
4 Front Elevation A
5040



5 Side Elevation B
5040



6 Rear Elevation C
5040



6 Side Elevation D
5040

Revision	Date	Initial	Amendment
A	28.11.14	AJL	Planning issue

Notes

No dimensions are to be scaled from this drawing. The contractor / manufacturer is responsible for checking all dimensions and querying any discrepancies.

This drawing is the property of Bisset Adams Ltd.

Copyright is reserved by Bisset Adams Ltd. and the drawing is issued on condition that it is not copied, reproduced, retained or disclosed to any unauthorised person, either wholly or in part, without written consent.

	Royal Holloway, University of London 11 BEDFORD SQUARE-00-5040 Proposed Reception Desk Joinery Detail	
	Scale: 1:10 Date: 12.11.14	Status: Planning Drawn: IG Checked: ---
Drawing: RL001 BEDFORD SQUARE-00-5040-A		440020 7250 0440 www.bissetadams.co.uk info@bissetadams.co.uk 71 Central Street, London EC1V 8BU

BISSET ADAMS