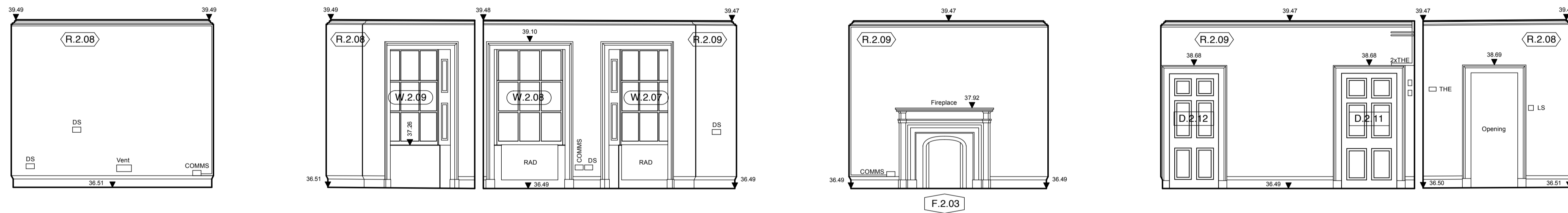


5005 R.2.01 Room Elevation
1A

5005 R.2.01 / R.2.03 / R.2.04 Room Elevation
1B

5005 R.2.04 Room Elevation
1C

5005 R.2.04 / R.2.02 / R.2.01 Room Elevation
1D



5005 R.2.08 Room Elevation
2A

5005 R.2.08 / R.2.09 Room Elevations
2B

5005 R.2.09 Room Elevation
2C

5005 R.2.08 / R.2.09 Room Elevations
2D

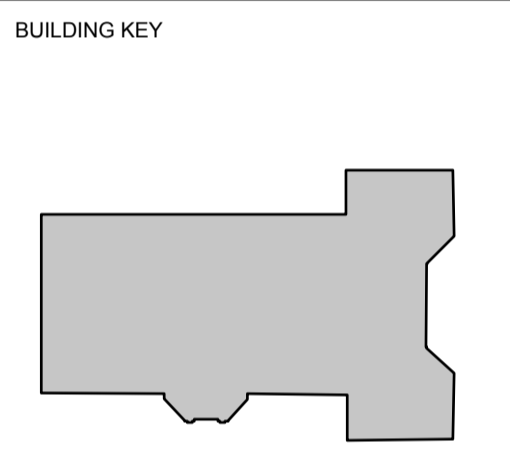
LEGEND :

- AH Arch Height
- ASH Arch Spring Height
- BH Beam Height
- BL Beam Level
- CAH Ceiling Arch Height
- CH Ceiling Height
- CL Ceiling Level
- CPD Cupboard
- CSH Ceiling Spring Height
- DH Door Height
- DOH Door Opening Height
- DP Downpipe
- ESG Electrical Switch Gear
- F-H Floor - Head Height
- F-S Floor - Sill Height
- FBH False Beam Height
- FCH False Ceiling Height
- FL Floor Level
- G Gully
- GL Ground Level
- H High
- HB Hand Basin
- HL Head Level
- HWT Hot Water Tank
- IC Inspection Cover
- RAD Radiator
- RL Roof Level
- RWP Rainwater Pipe
- S-AH Sill - Arch Height
- S-H Sill - Head Height
- S-SH Sill - Spring Height
- SL Sill Level
- SVP Soil Vent Pipe
- VP Vent Pipe
- WAD Window Above Door
- WAW Window Above Window
- WC Water Closet
- WS Work Surface

NOTES :

The accuracy of this survey drawing is dependent upon the scale at which it is produced. Users should not re-scale this drawing without consent.

All level values refer to the following OSBM:-
South East Face, No.11 Bedford Square: Value 27.73m



DRAWING TITLE KEY

BEDFORD SQUARE	-	00	-	1002	-	A
----------------	---	----	---	------	---	---

(i) BUILDING LEVEL

- 00 - Ground Level
- 01 - First Floor
- 02 - Second Floor
- 03 - Third Floor
- 04 - Roof Level
- 08 - Basement Level
- 99 - Whole Building
- S - Site

(ii) DRAWING TYPE / NUMBER

- 00(XX) - Site Drawings (drawing no.)
- 10(XX) - Existing Plan Drawings (drawing no.)
- 11(XX) - Demolition Plan Drawings (drawing no.)
- 12(XX) - Proposed Plan Drawings (drawing no.)
- 13(XX) - Reflected Ceiling Plans (drawing no.)
- 15(XX) - Floor Finishes Drawings (drawing no.)
- 16(XX) - Fire Strategy Drawings (drawing no.)
- 20(XX) - Elevation Drawings (drawing no.)
- 30(XX) - Section Drawings (drawing no.)
- 40(XX) - External Detail (drawing no.)
- 50(XX) - Internal Detail (drawing no.)

(iii) DRAWING REVISION

- W.B.01 - Window number
- R.B.01 - Room number
- D.B.01 - Door number
- F.B.01 - Fireplace number
- 5005/2A - Internal room elevation
- 1 - Proposed max. desk allowance

Revision	Date	Initial	Amendment
A	27.08.14	AJL	First Issue
B	12.09.14	JB	Reference Numbers Updated
C	28.11.14	AJL	Key updated, Surface mounted services added - Planning Issue

Notes

No dimensions are to be scaled from this drawing. The contractor / manufacturer is responsible for checking all dimensions and querying any discrepancies.

This drawing is the property of Bisset Adams Ltd.

Copyright is reserved by Bisset Adams Ltd. and the drawing is issued on condition that it is not copied, reproduced, retained or disclosed to any unauthorised person, either wholly or in part, without written consent.

	Royal Holloway, University of London 11 BEDFORD SQUARE-02-5004 Existing Internal Second Floor Elevations	
	Scale 1:50 Date 12.08.14 Drawing RL001 11 BEDFORD SQUARE-02-5004-C	Status Planning Drawn AJL Checked ---

+44(0)20 7250 0440
 www.bissetadams.co.uk
 info@bissetadams.co.uk
 71 Central Street, London EC1V 8BU

BISSET
 ADAMS