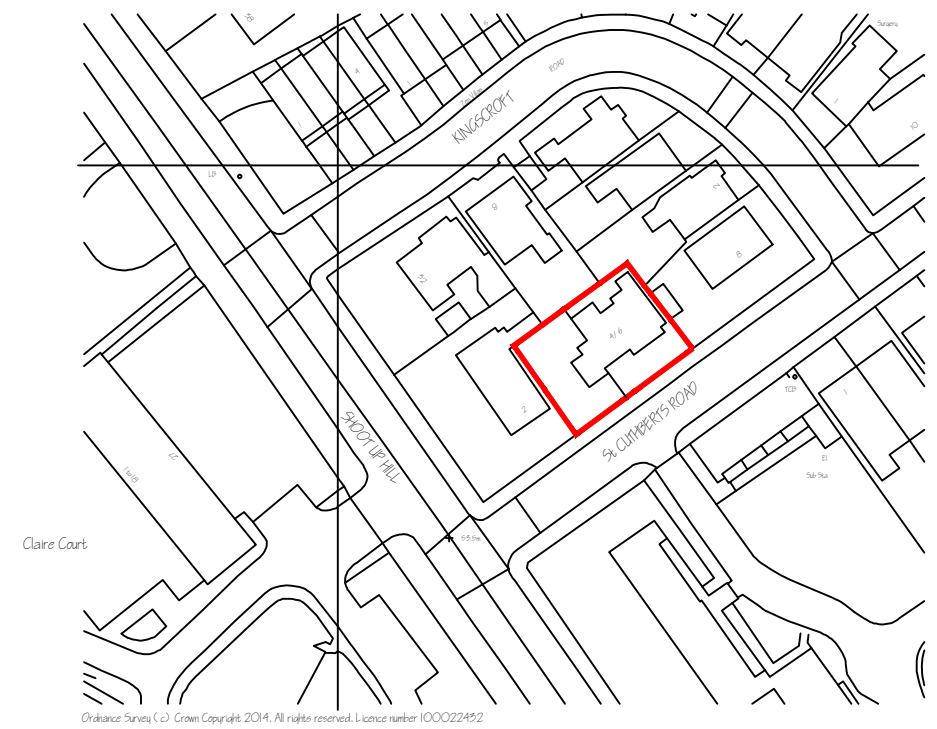
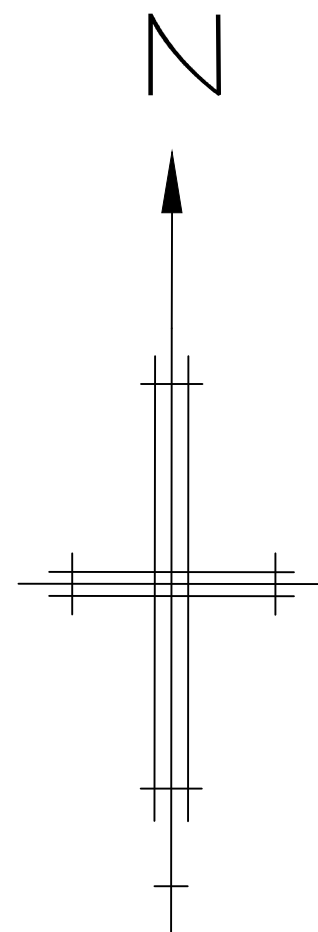


BLOCK PLAN ~ 1:200



LOCATION PLAN ~ 1:1250



REVISIONS	DATE
Architectural Design & Planning 32 Grange Road Plymouth PL7 2HY t: 01752 341696 m: 07973 136876	
THE DESIGN WORKS	
TITLE LOCATION & BLOCK PLAN	
ADDRESS 4-6 St CUTHBERTS ROAD LONDON NW2 3QL	
CLIENT Mr Ivan & Ms Gi Yan Tang	
SCALE 1:200 & 1:1250	DATE AUG 2014
DRAWING No. 140823/P/03	REV.