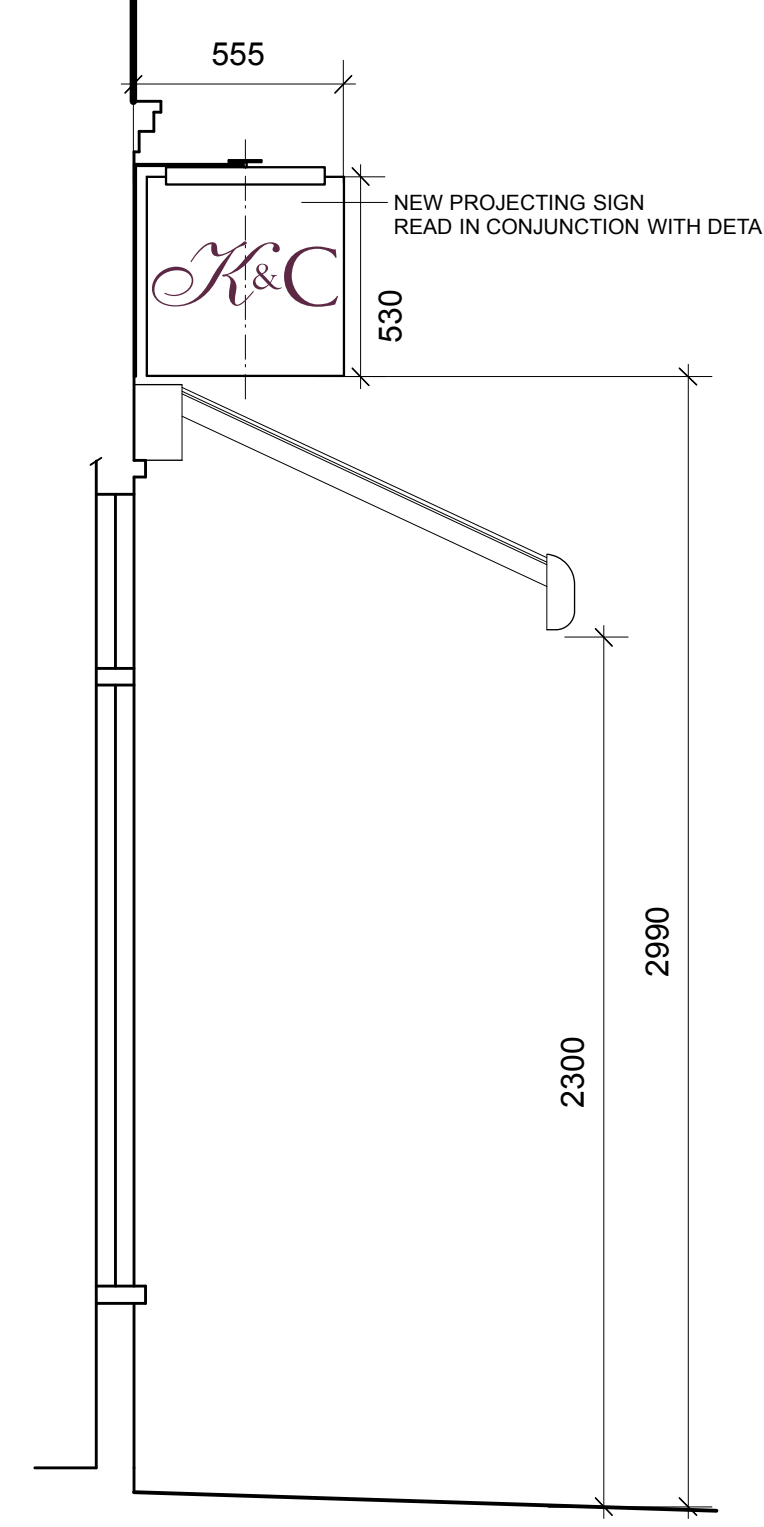
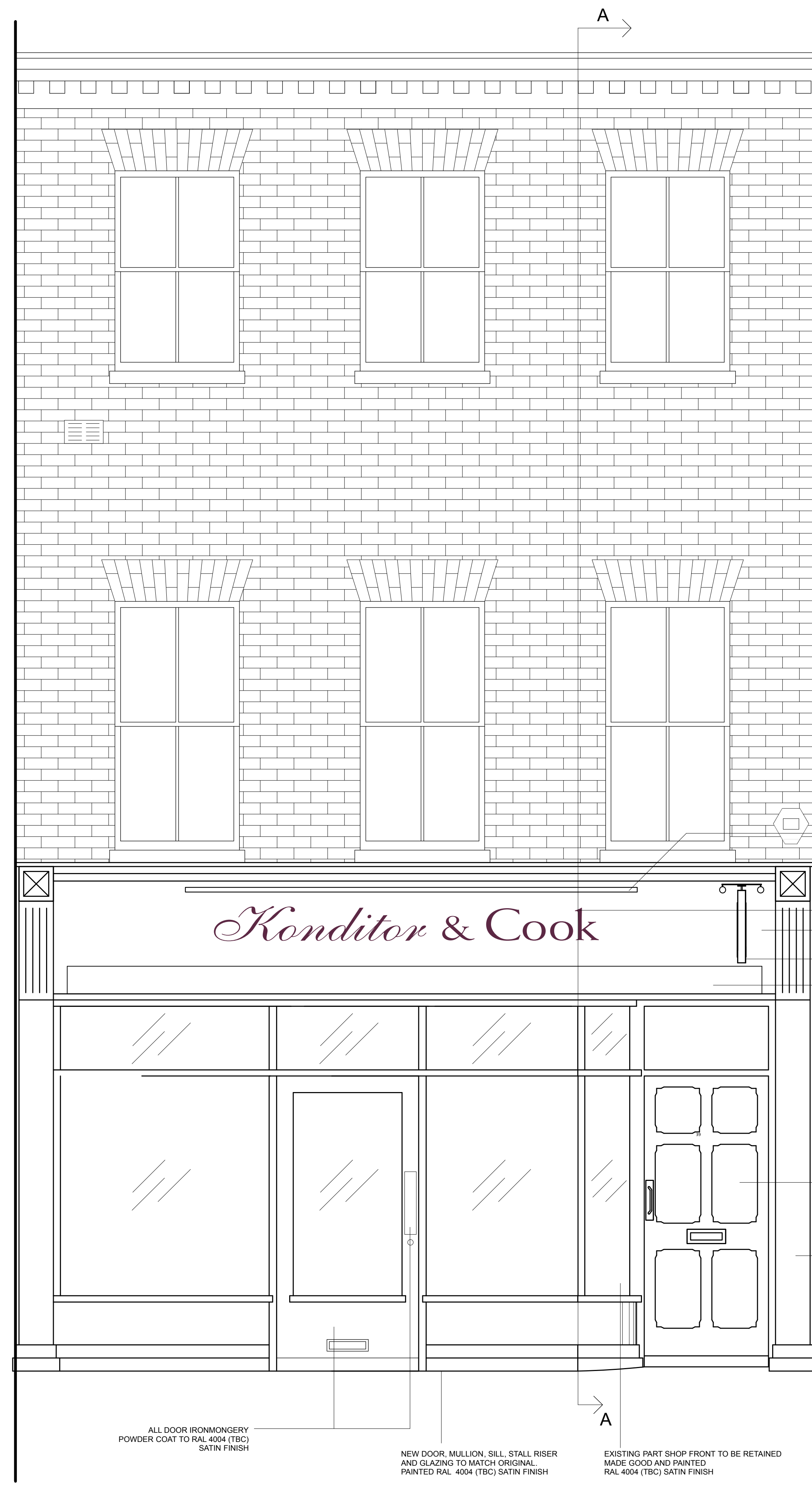


Do not scale from this drawing.
 All dimensions to be checked on site prior to manufacture.
 All dimensions to be measured in accordance with the British Standard BS 1191:2013.
 The drawing is issued on the condition that it is not copied, reproduced, altered or disclosed to any unauthorised person, officer, authority or in part without the consent in writing of Small Back Room.
 All works to be carried out by a contractor competent to undertake the type of construction works indicated on this drawing. The drawing is to be read in conjunction with the regulations prescribed for inclusion in the health and safety plan.



PROJECTING TROUGH LIGHTING FOCUSED ON TO SIGN.
FITTING SPRAYED TO MATCH RAL 4004 (TBC).
LIGHT LEVELS ACROSS SIGN TO BE 207CDM2

PIN MOUNTED 3 DIMENSIONAL STAINLESS STEEL LETTERING
DETAIL TBA BY SIGNAGE MANUFACTURER
REFER TO BRANDING GUIDELINES

EXISTING TIMBER FASCIA RETAINED
MADE GOOD AND PAINTED TO RAL 4004 (TBC) SATIN FINISH

NEW PROJECTING SIGN
READ IN CONJUNCTION WITH DETAIL

NEW RETRACTABLE AWNING HOUSED IN
FASCIA MOUNTED CASSETTE

EXISTING TO UPPER LEVEL FLATS
REPAINTED RAL 4004 (TBC) SATIN FINISH

EXISTING PLASTER TO BE RETAINED
MADE GOOD AND PAINTED
RAL 4004 (TBC) SATIN FINISH

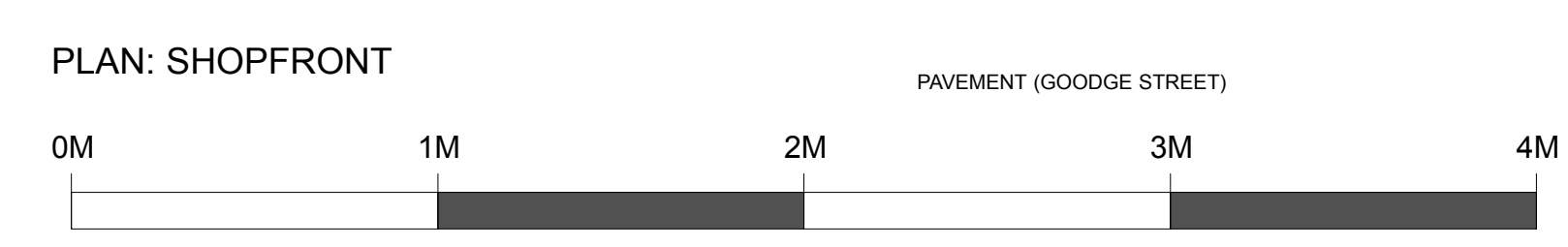
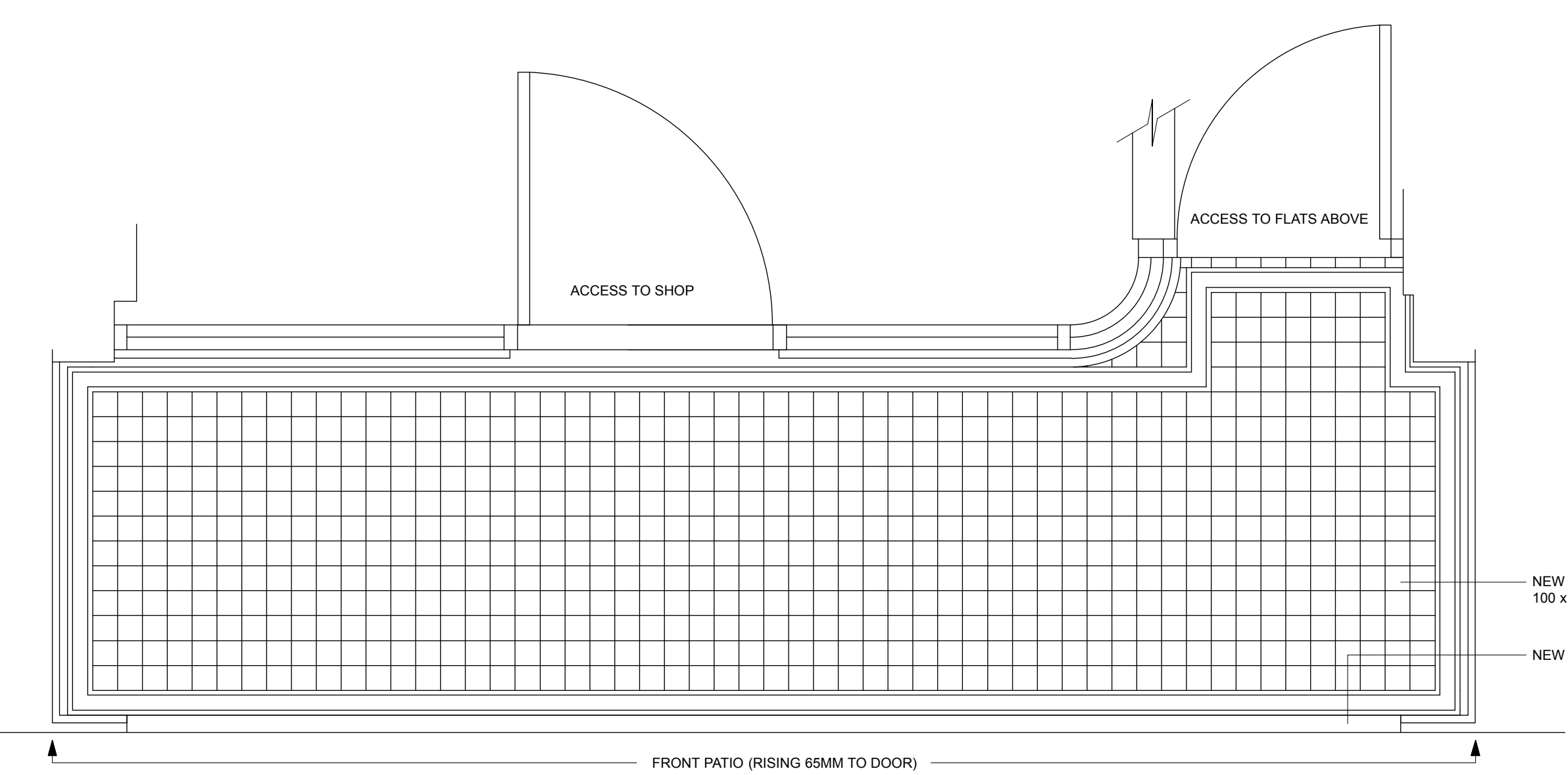
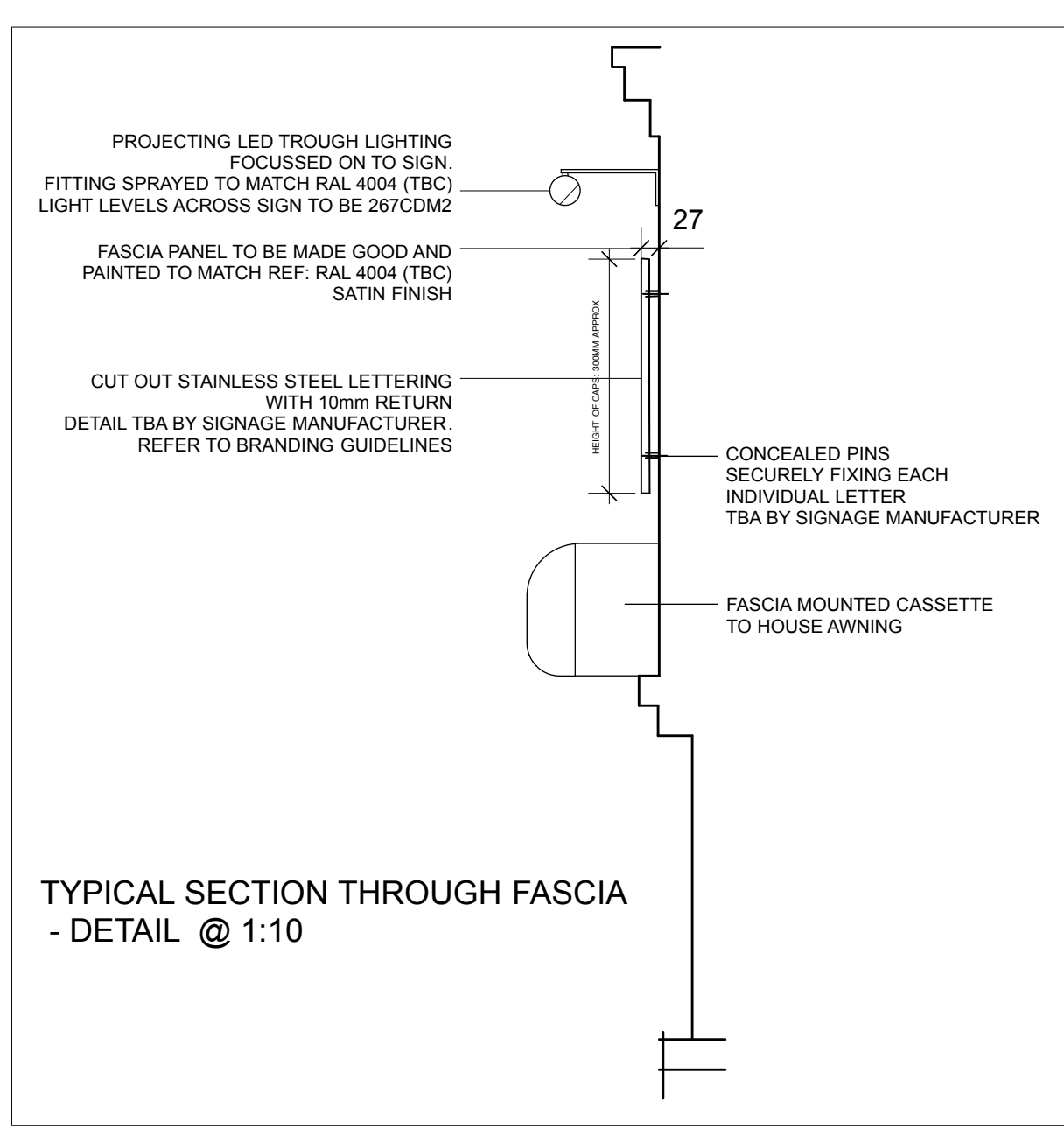
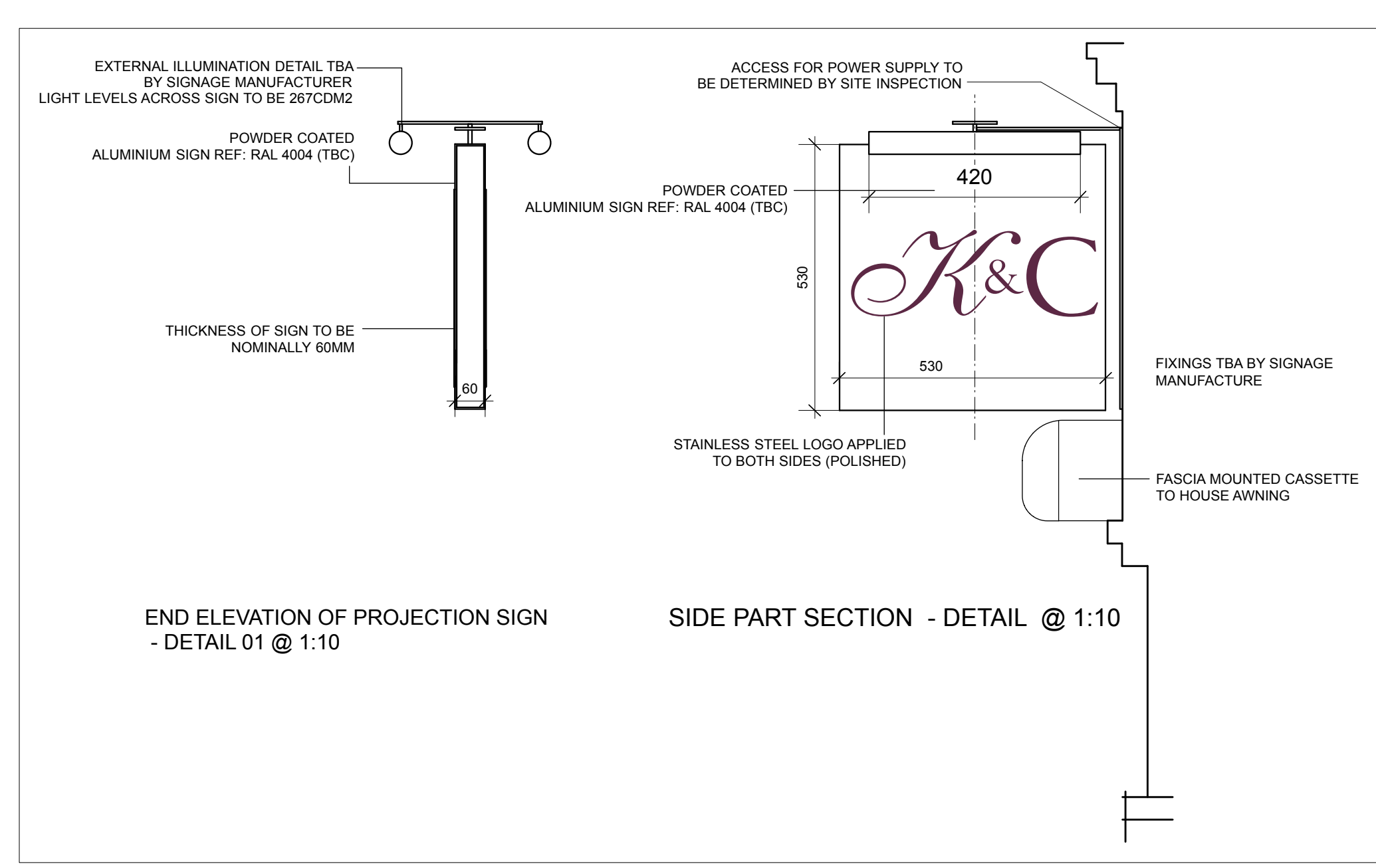
ALL DOOR IRONMONGERY
POWDER COAT TO RAL 4004 (TBC)
SATIN FINISH

NEW DOOR, MULLION, SILL, STALL RISER
AND GLAZING TO MATCH ORIGINAL.
PAINTED RAL 4004 (TBC) SATIN FINISH

EXISTING PART SHOP FRONT TO BE RETAINED
MADE GOOD AND PAINTED
RAL 4004 (TBC) SATIN FINISH

INDICATIVE PART SECTION AA 1:20@A0

BUILDING FRONT: PART ELEVATION 1:20@A0



REV	DATE	DESCRIPTION
		small back room
		5 WOODCOCK STREET Telephone 020 7622 7800
		LONDON Facsimile 020 7622 7801
		SE1 8TD E-mail info@sb.com
CLIENT	KONDITOR & COOK	
PROJECT	GOODGE STREET SHOP	
TITLE	SHOPFRONT AND SIGNAGE	
SCALE	1:20@A0	
DWG No.	15929_0A03	REV
DRAWN BY	SR	
DATE	25.11.2014	
DRAWING STATUS	PLANNING	