

DISCHARGE OF CONDITION 15

DETAILS OF EXTERNAL LIGHTING

368 – 372 FINCHLEY ROAD
EXTERNAL LIGHTS
SPECIFICATION DOCUMENT

NOV 2014

PREPARED BY ACUMEN SERVICES AND DAVID MILLER
ARCHITECTS

davidmillerarchitects

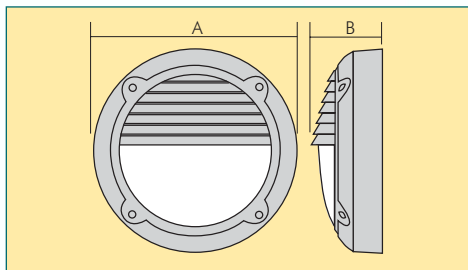


ON BEHALF OF TANDRIDGE INVESTMENTS LIMITED

EXTERNAL LIGHTS DATA SHEET PACK



LOUVRE



	A	B
Mini Horizon Plain	283	113
Horizon Plain	353	122
Metal Horizon	353	122



Lamp Types

- 28W 4-Pin. 3500K. GR10 Cap.
 - 1 x 26W 2-Pin TC-D G24q -3 Cap.
 - 2 x 18W 2-Pin TC-D G24q -3 Cap.
 - 100w BC GLS (lamp not included).
 - 16W 2D 2-Pin. 3500K. GR8 Cap.
 - 21W 2D 4-Pin. 3500K. GR10 Cap.
- PLEASE NOTE – 2700K lamps available on request.
PLEASE NOTE – Emergency and high frequency versions are all 4-Pin.

Materials

- Body: 238mm/353mm vandal resistant polycarbonate self-extinguishing fire properties in black / white / titanium.
- Body 2 -Metal: Die cast base in black / white / titanium.
- Diffuser/Fascia Ring: Vandal resistant polycarbonate in opal with self-extinguishing fire properties.
- Diffuser 2: (353mm circular) Vandal resistant polycarbonate clear fresnel lens with in with self extinguishing fire properties.

Installation

- Wall or ceiling mount.
- BESA fixing and rear cable entry. 3 way mains terminal block. 4 way terminal block for emergency versions & photocell.
- Screw down lid.
- Photocell version - external use only.
- 2 x Conduit entry points (mini version only).
- Multiple side cable entries.

Standards

- IP65.
- 'F' Mark.
- CE.
- BS EN 60598-2-1 & BS EN 60598-2-22.
- Class I.

Options:

- Self test emergency - (28w only).
- Tamper proof screws.
- Fused connector block.
- Photocell.



MINI HORIZON

Description	100W	1x18W	1x18W PC	16W	16W PC	21W	21W PC
Black Opal	HR2/BLL100	HR2/BLL118	HR2/BLL118C	HR2/BLL516	HR2/BLL516C	HR2/BLL521	HR2/BLL521C
White Opal	HR2/WLL100	HR2/WLL118	HR2/WLL118C	HR2/WLL516	HR2/WLL516C	HR2/WLL521	HR2/WLL521C
Titanium Opal	HR2/XLL100	HR2/XLL118	HR2/XLL118C	HR2/XLL516	HR2/XLL516C	HR2/XLL521	HR2/XLL521C

HORIZON

Description	1x26W HF	1x26W HF PC	1x26W PFC	1x26W PFC PC	28W HF	28W HF PC
Black Opal	HR3/BLL126U6	HR3/BLL126U6C	HR3/BLL126F	HR3/BLL126FC	HR3/BLL528U6	HR3/BLL528U6C
Black Fresnel	HR3/BKL126U6	HR3/BKL126U6C	HR3/BKL126F	HR3/BKL126FC	HR3/BKL528U6	HR3/BKL528U6C
White Opal	HR3/WLL126U6	HR3/WLL126U6C	HR3/WLL126F	HR3/WLL126FC	HR3/WLL528U6	HR3/WLL528U6C
White Fresnel	HR3/WKL126U6	HR3/WKL126U6C	HR3/WKL126F	HR3/WKL126FC	HR3/WKL528U6	HR3/WKL528U6C
Titanium Opal	HR3/XLL126U6	HR3/XLL126U6C	HR3/XLL126F	HR3/XLL126FC	HR3/XLL528U6	HR3/XLL528U6C
Titanium Fresnel	HR3/XKL126U6	HR3/XKL126U6C	HR3/XKL126F	HR3/XKL126FC	HR3/XKL528U6	HR3/XKL528U6C

Description	28W HF EM3	28W PFC	28W PFC PC	28W HF EM3 PC	2x18 PFC PC	2x18W HF PC
Black Opal	HR3/BLL528U6M	HR3/BLL528F	HR3/BLL528FC	HR3/BLL528U6MC	HR3/BLL218FC	HR3/BLL218U6C
Black Fresnel	HR3/BKL528U6M	HR3/BKL528F	HR3/BKL528FC	HR3/BKL528U6MC	HR3/BKL218FC	HR3/BKL218U6C
White Opal	HR3/WLL528U6M	HR3/WLL528F	HR3/WLL528FC	HR3/WLL528U6MC	HR3/WLL218FC	HR3/WLL218U6C
White Fresnel	HR3/WKL528U6M	HR3/WKL528F	HR3/WKL528FC	HR3/WKL528U6MC	HR3/WKL218FC	HR3/WKL218U6C
Titanium Opal	HR3/XLL528U6M	HR3/XLL528F	HR3/XLL528FC	HR3/XLL528U6MC	HR3/XLL218FC	HR3/XLL218U6C
Titanium Fresnel	HR3/XKL528U6M	HR3/XKL528F	HR3/XKL528FC	HR3/XKL528U6MC	HR3/XKL218FC	HR3/XKL218U6C

METAL HORIZON

Description	1x26W HF	1x26W HF PC	1x26W PFC	1x26W PFC PC	28W HF	28W HF PC
Black Opal	HR3M/BLL126U6	HR3M/BLL126U6C	HR3M/BLL126F	HR3M/BLL126FC	HR3M/BLL528U6	HR3M/BLL528U6C
Black Fresnel	HR3M/BKL126U6	HR3M/BKL126U6C	HR3M/BKL126F	HR3M/BKL126FC	HR3M/BKL528U6	HR3M/BKL528U6C
White Opal	HR3M/WLL126U6	HR3M/WLL126U6C	HR3M/WLL126F	HR3M/WLL126FC	HR3M/WLL528U6	HR3M/WLL528U6C
White Fresnel	HR3M/WKL126U6	HR3M/WKL126U6C	HR3M/WKL126F	HR3M/WKL126FC	HR3M/WKL528U6	HR3M/WKL528U6C
Titanium Opal	HR3M/XLL126U6	HR3M/XLL126U6C	HR3M/XLL126F	HR3M/XLL126FC	HR3M/XLL528U6	HR3M/XLL528U6C
Titanium Fresnel	HR3M/XKL126U6	HR3M/XKL126U6C	HR3M/XKL126F	HR3M/XKL126FC	HR3M/XKL528U6	HR3M/XKL528U6C

Description	28W HF EM3	28W PFC	28W PFC PC	28W HF EM3 PC	2x18W PFC PC	2x18W HF PC
Black Opal	HR3M/BLL528U6M	HR3M/BLL528F	HR3M/BLL528FC	HR3M/BLL528U6MC	HR3M/BLL218FC	HR3M/BLL218U6C
Black Fresnel	HR3M/BKL528U6M	HR3M/BKL528F	HR3M/BKL528FC	HR3M/BKL528U6MC	HR3M/BKL218FC	HR3M/BKL218U6C
White Opal	HR3M/WLL528U6M	HR3M/WLL528F	HR3M/WLL528FC	HR3M/WLL528U6MC	HR3M/WLL218FC	HR3M/WLL218U6C
White Fresnel	HR3M/WKL528U6M	HR3M/WKL528F	HR3M/WKL528FC	HR3M/WKL528U6MC	HR3M/WKL218FC	HR3M/WKL218U6C
Titanium Opal	HR3M/XLL528U6M	HR3M/XLL528F	HR3M/XKL528FC	HR3M/XLL528U6MC	HR3M/XLL218FC	HR3M/XLL218U6C
Titanium Fresnel	HR3M/XKL528U6M	HR3M/XKL528F	HR3M/XKL528FC	HR3M/XKL528U6MC	HR3M/XKL218FC	HR3M/XKL218U6C

Harmony Halo



Lamp Types

- 28W / 38W 2D 4-Pin. 2700K. GR10 Cap.
- 2 x 18W 3500K TC-D 4-Pin G24q-2 Cap.
- 2 x 26W 3500K TC-D 4-Pin G24q-3 Cap.

PLEASE NOTE – 3500K lamps available on request.

PLEASE NOTE – Emergency and high frequency versions are all 4-pin.

Materials

- Body: Spun aluminium in white / chrome / brass / satin aluminium. Graphite is available as a non standard finish with other colours available on request.
- Diffuser: Vandal resistant polycarbonate in opal or prismatic, with self-extinguishing fire properties.
- Back light: Vandal resistant polycarbonate in opal with self-extinguishing fire properties. Coloured option available.

Installation

- Wall or ceiling mount.
- BESA fixing and rear cable entry. 3 way mains terminal block. 4 way terminal block for emergency versions.

Standards

- IP20.
- 'F' Mark.
- CE.
- BSEN60598-2-1 & BSEN60598-2-22.
- Class I.



Options

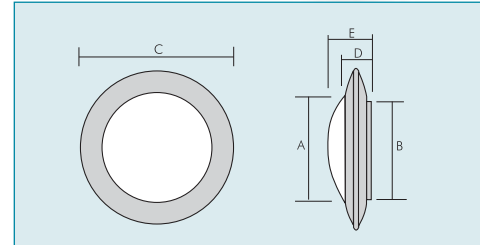
- Switch start with PFC.
- High frequency.
- High frequency emergency.
- Self test emergency.
- Fused connector block.
- Central battery versions.
- 28W + 7W night light PFC.
- 38W + 7W night light PFC.
- HF Dimmable 28W & 38W.
- Vandal resistant diffuser lock.
- Microwave sensor.
- Corridor function.

Accessories

- Drop down pendant - ordered as an optional extra see page 9.

Harmony Halo 450mm

Size	A	B	C	D	E
345mm	228	183	345	72	117
450mm	327	286	450	74	123
564mm	402	356	564	78	130



Description	28W PFC	28W HF	28W HF EM3
White Opal	HA4/WL728F	HA4/WL728E	HA4/WL728EM
White Prismatic	HA4/WP728F	HA4/WP728E	HA4/WP728EM
Brass Opal	HA4/ZL728F	HA4/ZL728E	HA4/ZL728EM
Brass Prismatic	HA4/ZP728F	HA4/ZP728E	HA4/ZP728EM
Chrome Opal	HA4/HL728F	HA4/HL728E	HA4/HL728EM
Chrome Prismatic	HA4/HP728F	HA4/HP728E	HA4/HP728EM
Satin Aluminium Opal	HA4/FL728F	HA4/FL728E	HA4/FL728EM
Satin Aluminium Prismatic	HA4/FP728F	HA4/FP728E	HA4/FP728EM
Graphite Opal	HA4/GL728F	HA4/GL728E	HA4/GL728EM
Graphite Prismatic	HA4/GP728F	HA4/GP728E	HA4/GP728EM

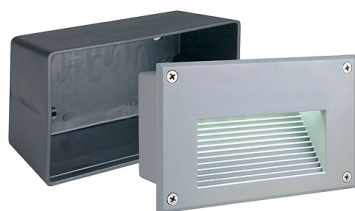
Description	38W HF
White Opal	HA4/WL738E
White Prismatic	HA4/WP738E
Brass Opal	HA4/ZL738E
Brass Prismatic	HA4/ZP738E
Chrome Opal	HA4/HL738E
Chrome Prismatic	HA4/HP738E
Satin Aluminium Opal	HA4/FL738E
Satin Aluminium Prismatic	HA4/FP738E
Graphite Opal	HA4/GL738E
Graphite Prismatic	HA4/GP738E

As standard the units are provided with Opal back light diffuser.

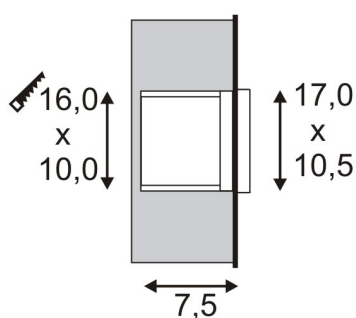
Coloured diffuser options are available for back lighting effects: Blue, Red, Amber or Green.



BRICK LED DOWNUNDER wall lamp, rectangular, silvergrey, white LED



Article no.:	229701
Catalogue page:	625
Bulb:	LED
Number of bulbs:	18
Bulb included:	yes
Installation length:	10,0 cm
Installation width:	16,0 cm
Installation depth:	7,5 cm
Product width:	17,00 cm
Product height:	10,50 cm
Product depth:	7,00 cm
Weight net.:	0,845 kg
Operating voltage:	230 Volt
Max. Wattage:	3,6 Watt
Protection class:	IP 54
Material:	aluminium
Colour:	silvergrey
Way of mounting:	recessed wall mounting
Remarks:	Mounting pot included LED driver incorporated
Average life span:	20000 hours
Colour temp. (Kelvin):	5700 Kelvin
Colour rendering index:	70
Luminous flux (lm):	120 lm
Energy efficiency class luminaire:	A++



Outdoor LED recessed wall light type: BRICK LED DOWNUNDER wall lamp, rectangular, silvergrey, white LED made from aluminium, Ref.:229701 Colour version: silvergrey. Max. wattage 3,6 Watt, at an operating voltage of 230 Volt. Protection class IP 54, Way of mounting: recessed wall mounting. Recess dimensions: Installation length: 10 cm, Installation width: 16 cm, Installation depth: 7,5 cm. Product dimensions: Product width: 17 cm, Product height: 10,5 cm, Product depth: 7 cm, Weight (net): 0,845 kg. Including LED Average life span 20000 h, Colour temperature 5700 Kelvin, Colour rendering index70, Luminous flux 120 lm, EEC A++. Mounting pot included. LED driver incorporated. Recommended bulb 1: Including

Incana Bollard

43657 & 43658



- Replace fuse or circuit breaker and switch on. Your light is now ready for use.



Fitting/replacing bulbs

- When changing a bulb, always switch off at the mains and allow the bulb to cool before handling. Dispose of used bulbs carefully. Do not exceed the wattage stated or use a different shape bulb from that indicated on the fitting.
- Use a soft cloth to handle bulbs, avoid directly touching the bulbs as this will shorten their life.
- Undo the top and bottom screws on the shade and set aside.



We recommend cleaning with a soft dry cloth. Do not use solvents or abrasive cleaners as these could damage the finish.

Glass parts – Remove and wash in warm water or just use a damp cloth. Do not use abrasive materials as these will damage the finish.



Recycling advice

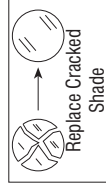


Waste electrical products should not be disposed of with household waste. Please recycle where facilities exist. Check with your Local Authority or retailer for recycling advice.



Safety information

For your safety, always switch off the supply before changing lightbulbs, or cleaning.



This bulb is protected by a plastic shade. This part must be replaced immediately should the plastic shade become cracked or damaged. This fitting must not be used without the plastic shade in place.

