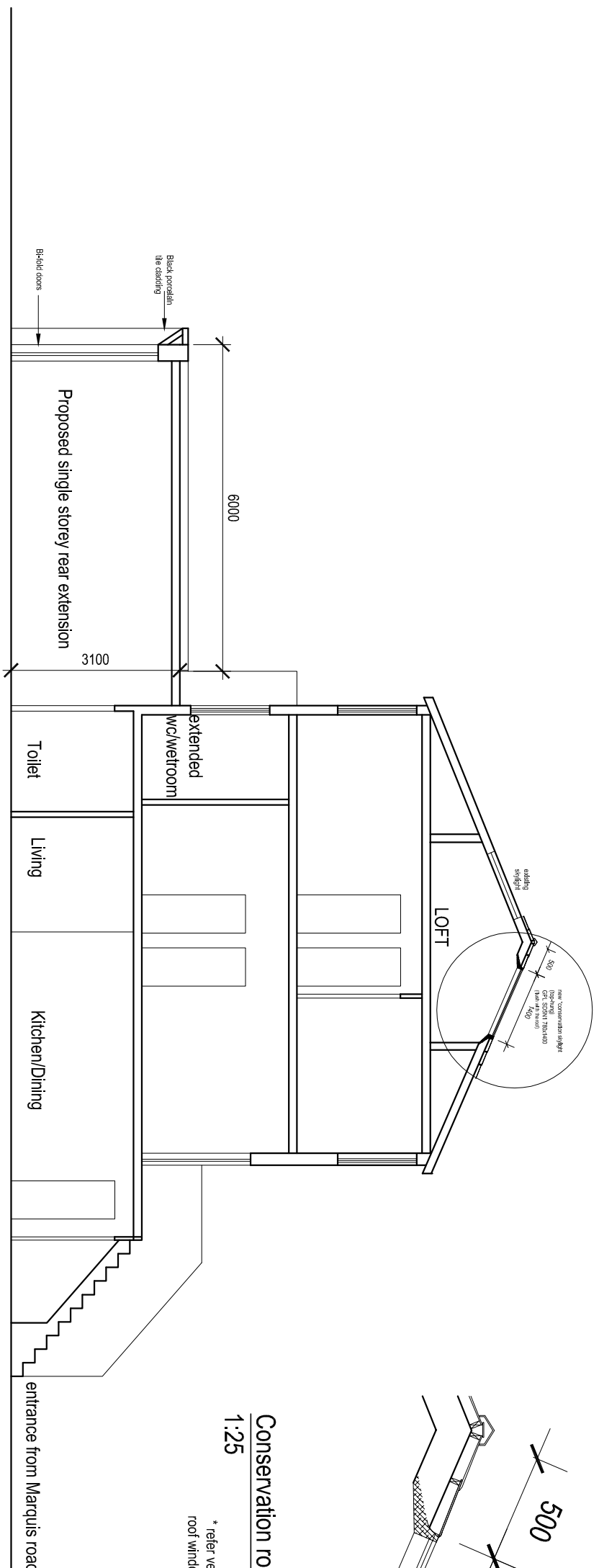
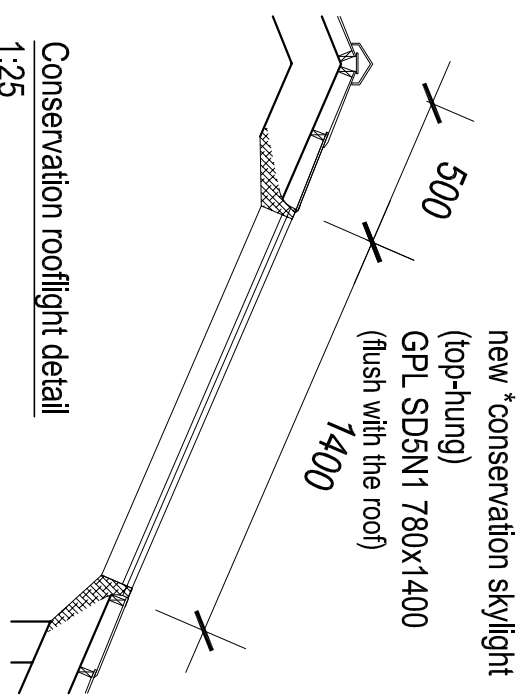


Section AA-existing



Section AA - proposed



Conservation rooflight detail
1:25

* refer velux technical details for conservation roof windows for further information



Ecoss Maclean Ltd
Engineering - materials, energy, structure
8A Chamberlain Street - London NW1 8XG - Tel: 020 7722 7525 - Fax: 020 7722 9711
Website: www.ecosmaclean.co.uk - Email: office@ecosmaclean.co.uk

Ayesha Arefin

25 Marquis Road
London NW1 9UD

Section AA
Existing and proposed

Revision	Date	Made by	Checked by
02	11.11.2014	PN	PN
01	28.12.2014	PN	PN

Date	Oct 14	Drawn by	PN	Checked	CHC
Scales	1:100@A3	Job No.	14137	Drawing No.	08
Revision					02

Y:\3000\London Jobs\2014\14137 Marquis Rd 25\A\Drawings\20140825 Marquis Road.dwg