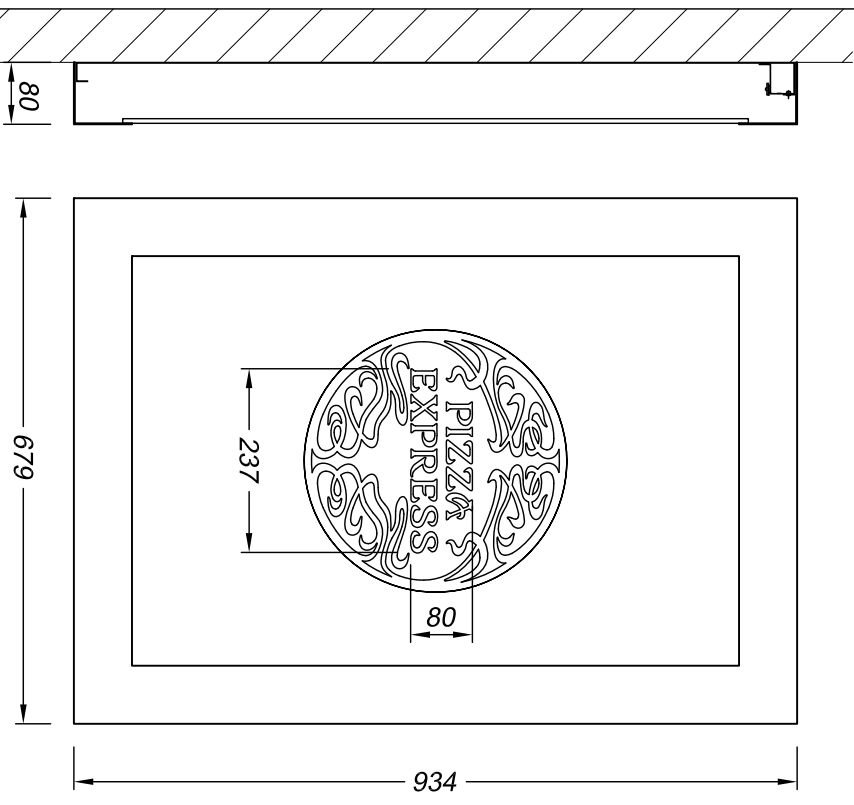


Front Elevation
Scale 1:50

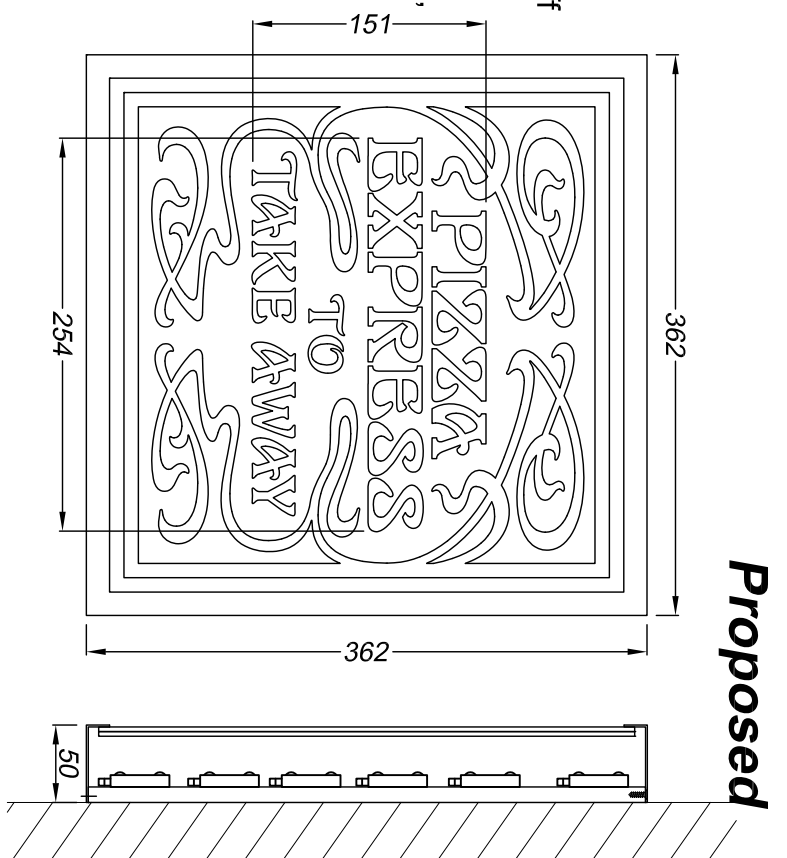
wall mounted menu, poster holder and take away sign

replacement menu is on wheels

Wall mounted poster holder - 1 off
Scale 1:10
Poster holder manufactured from folded 1.2mm descaled stainless steel which is finished satin black. 6mm clear acrylic face. Low energy white LEDs are fitted in the top and bottom recesses for internal illumination. Screw fixed to the wall.

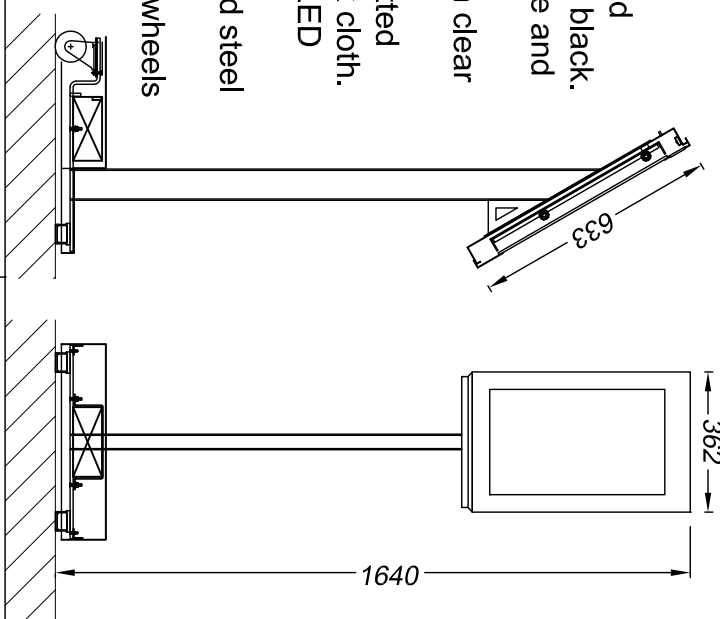


Wall mounted take away sign - 1 off
Scale 1:5
Take away sign has a 1.2mm descaled stainless steel face frame, returns and back which are all finished satin black. Front is a 6mm toughened glass panel which is backed by a 5mm 040 opal acrylic panel which has a black and white vinyl print. Back is fitted with low energy white LEDs for internal illumination. Screw fixed to the wall.



Proposed

Free standing menu - 1 off
Scale 1:20
Folded and welded 1.2mm descaled stainless steel box is finished satin black. Box is fitted with a continuous hinge and standard slam locks. Window to be backed up with 6mm clear toughened glass panel. Insert from 3mm 050 opal acrylic fitted with a pin board finished with black cloth. Menu fitted with low energy white LED chips in the top recess. Menu fixes to a 80x40mm RHS mild steel post finished satin black. The steel base is fitted with caster wheels and a rechargeable battery.



Technical Signs
Floor 1 - Unit 3
Hille Business Centre
132 St Albans Road
Watford, Herts, WD24 4AE
Tel: 01923 811999
Fax: 01923 811998
E-mail: info@technicalsigns.co.uk

Client: Pizza Express
Address/job details:
194a Haverstock Hill
Beisize Park
NW3 2AU

Proposed Signs

Job No	
Drawn by	DN
Date	01/11/14
Scale	As specified (A3)
Drawing No	438702-4
Rev	