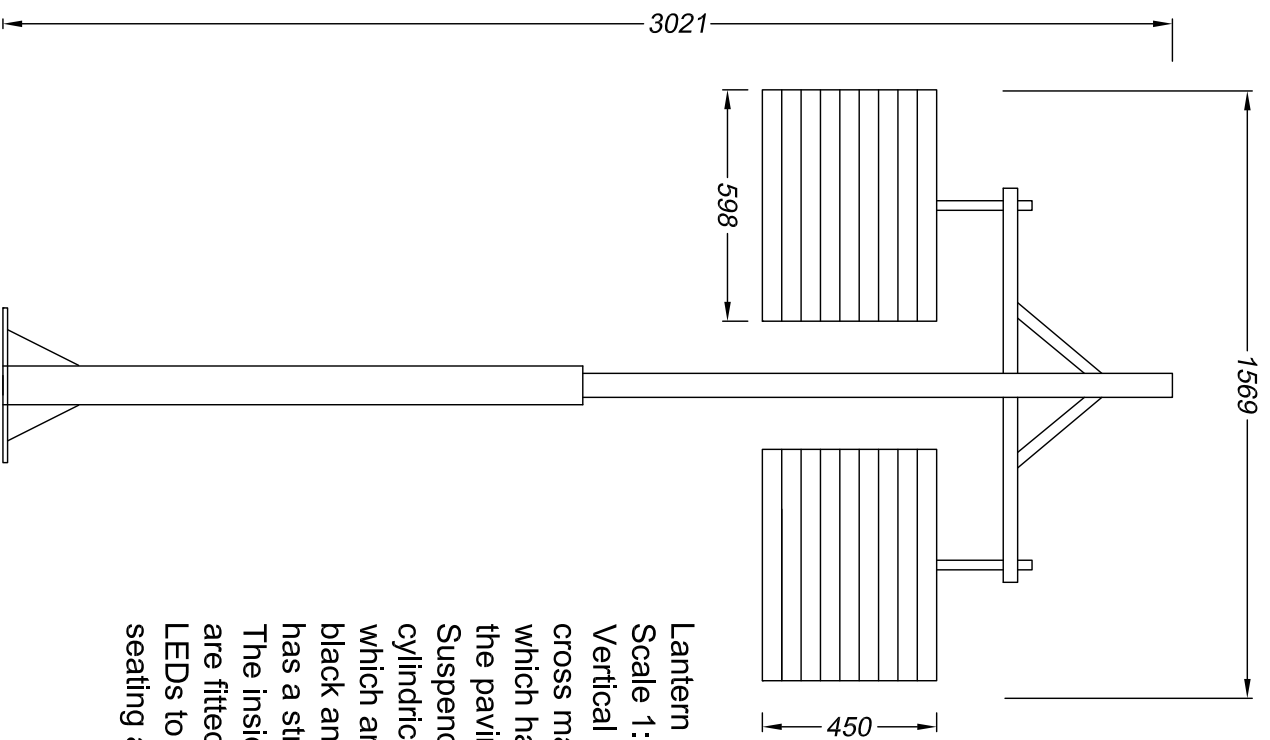


Existing

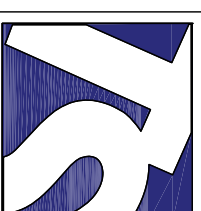
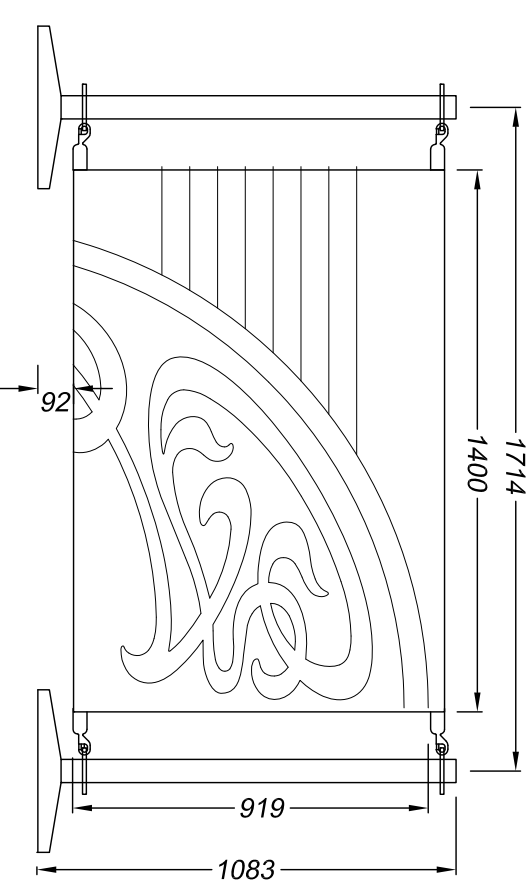
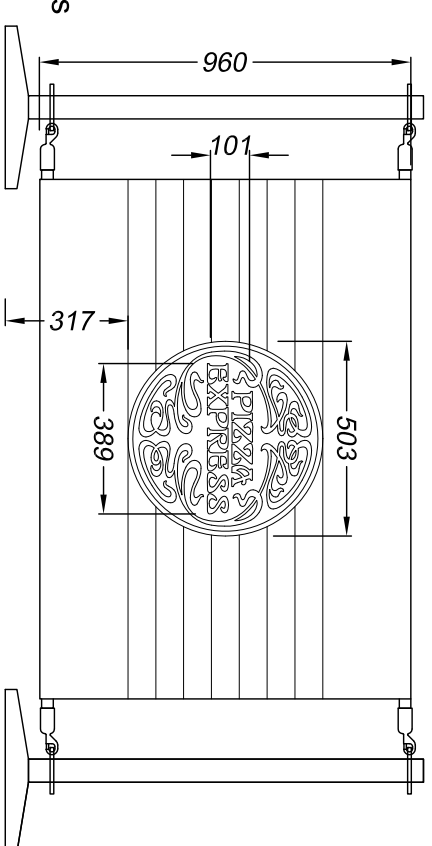


Lantern frame - 2 off
Scale 1:20

Vertical black frame is a welded cross made from CHS mild steel which has a welded plate bolted into the paving.
Suspended from the frame are two cylindrical clear perspex lanterns which are lined with translucent black and white printed vinyl which has a stripe pattern.
The inside of the perspex cylinders are fitted with low energy white LEDs to provide illumination for the seating area.

Windbreak on poles - 2 off
Scale 1:20

Windbreaks with chrome posts and stainless steel cables. Black canvas windbreaks having printed white stripes and printed white logos. Non illuminated.



Technical Signs
Floor 1 - Unit 3
Hille Business Centre
132 St Albans Road
Watford, Herts, WD24 4AE
Tel: 01923 811999
Fax: 01923 811998
E-mail: info@technicalsigns.co.uk

Client: Pizza Express		Address/job details	
194a Haverstock Hill		Belsize Park	
NW3 2AJ		Existing Signs	
Job No	01/11/14	Drawn by	DN
Date	01/11/14	Drawing No	438702-3
Scale	As specified (A3)	Rev	