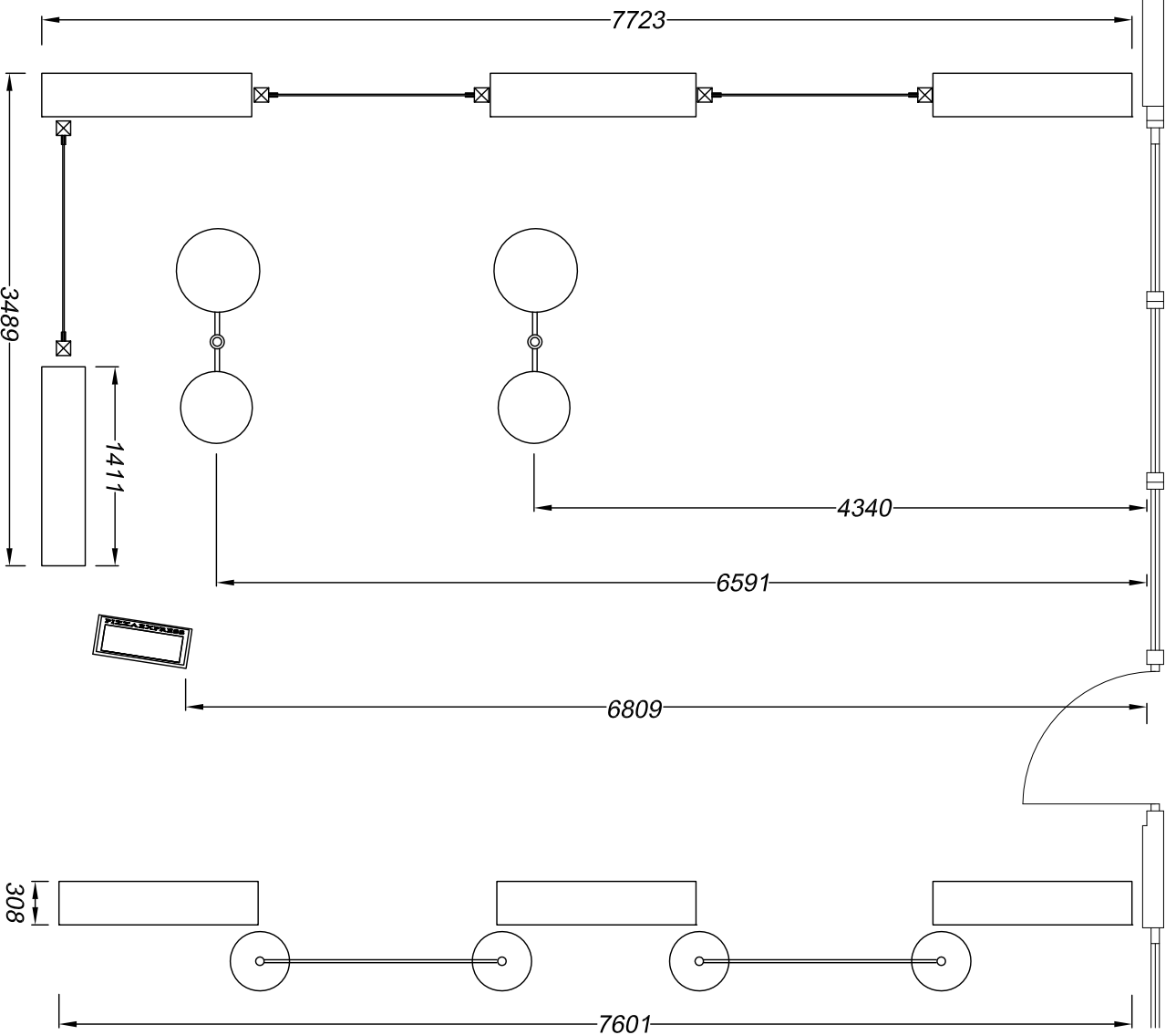
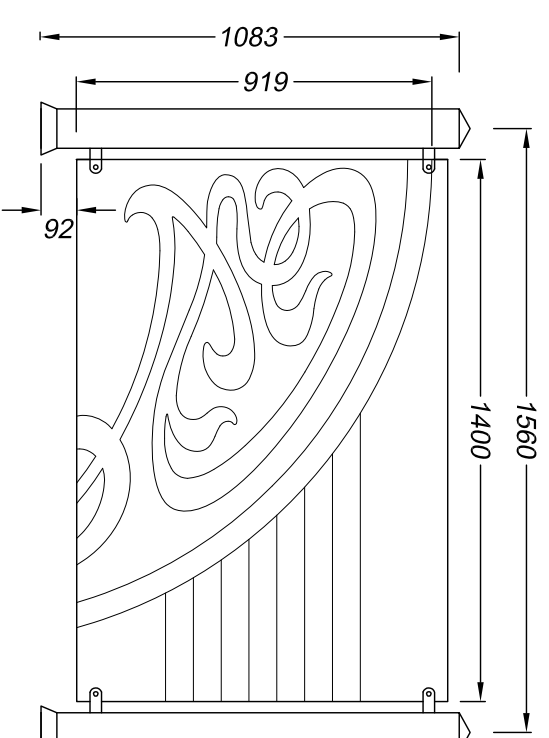


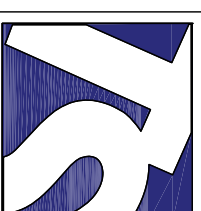
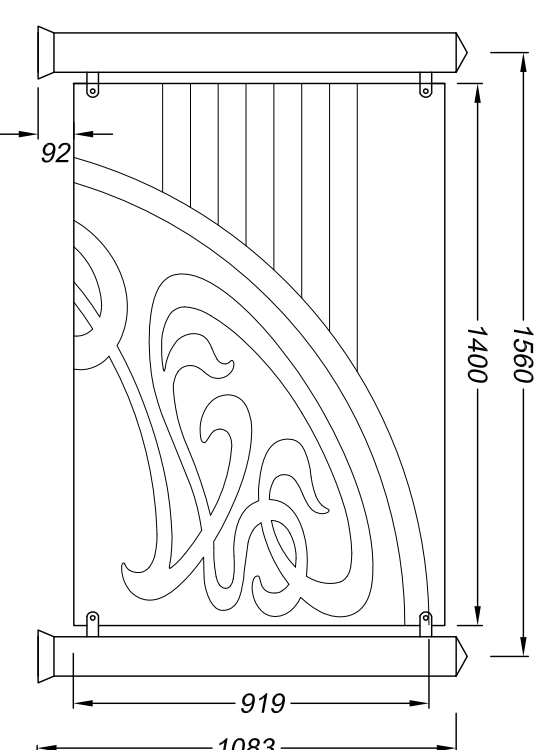
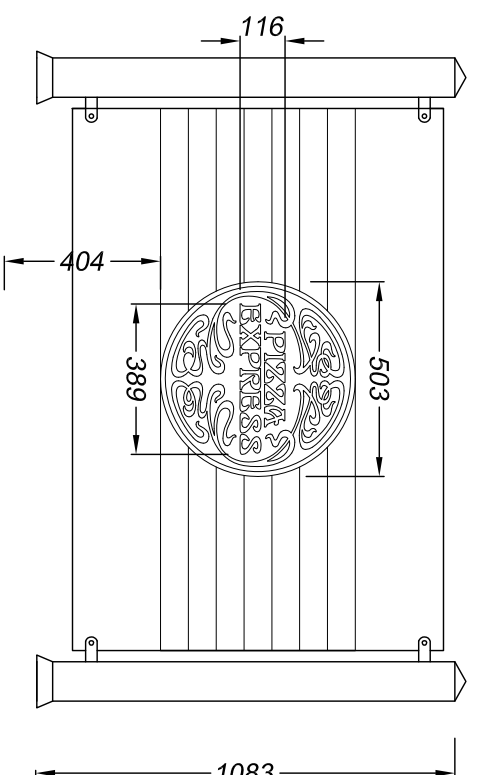
Front elevation and aerial view with the windbreaks and lanterns in place
Scale 1:50



Existing



Post mounted windbreak - 3 off
Scale 1:20
Windbreaks with chrome posts and glass screens. Black and white vinyl logos are clamped between two sheets of 8mm clear toughened glass. Glass is clamped by four chrome fixings. Non illuminated.



Technical Signs
Floor 1 - Unit 3
Hille Business Centre
132 St Albans Road
Watford, Herts, WD24 4AE
Tel: 01923 811999
Fax: 01923 811998
E-mail: info@technicalsigns.co.uk

Client: Pizza Express
Address/job details:
194a Haverstock Hill
Belsize Park
NW3 2AJ

Existing Signs
Job No:
Drawn by: DN
Date: 01/11/14

Scale: As specified (A3)
Drawing No: 438702-2
Rev: