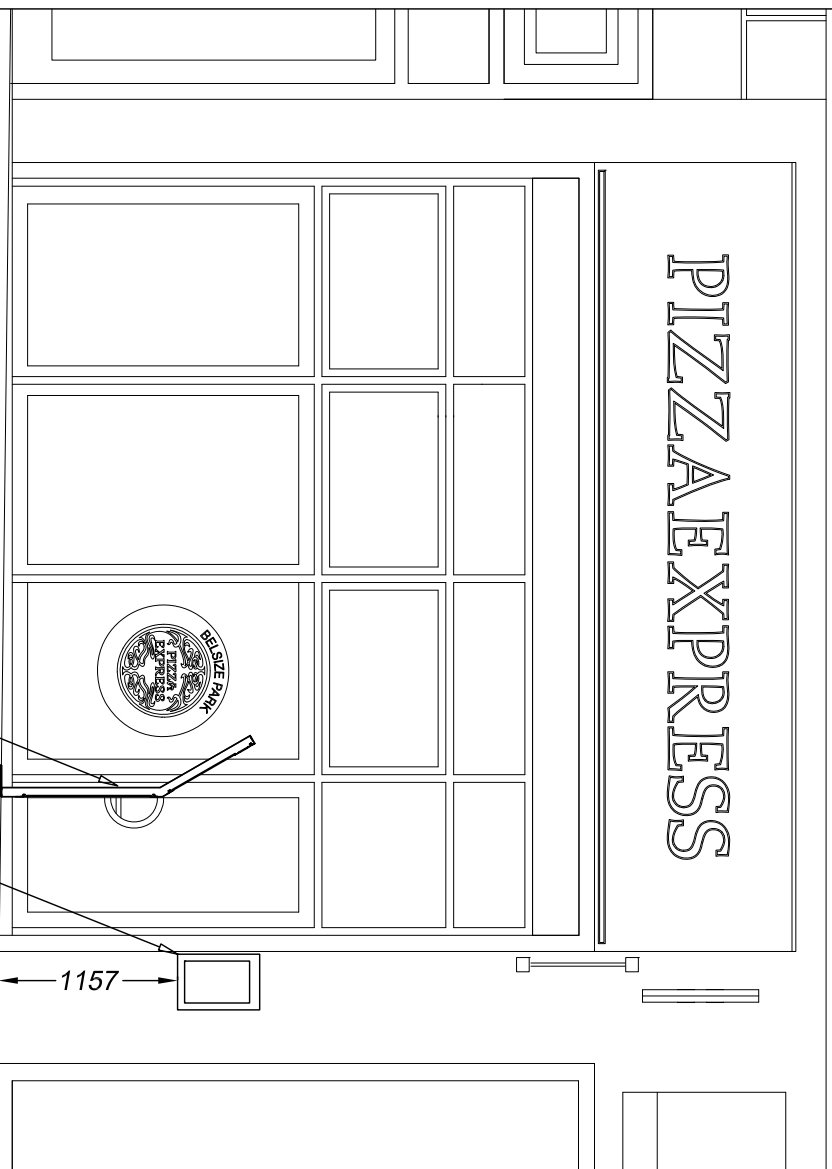


Existing

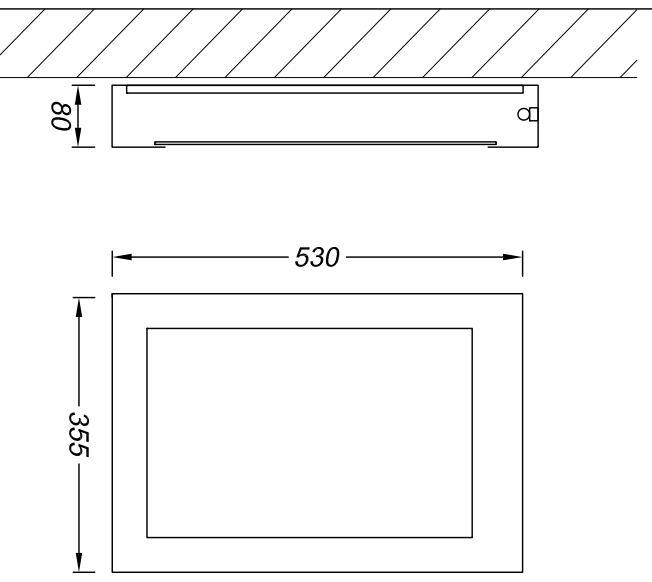
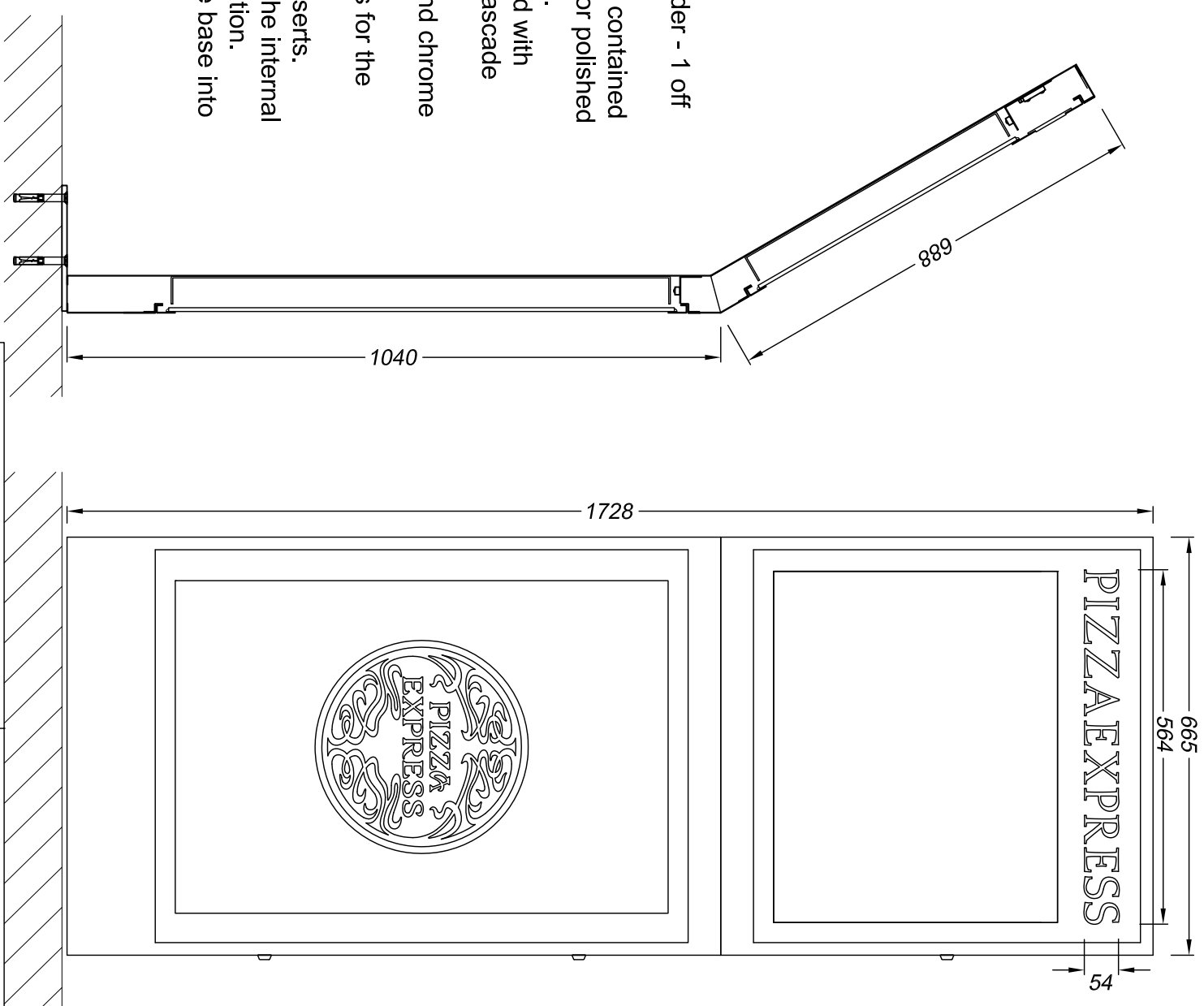


menu and poster box is bolted into the paving

position of wall mounted menu

Front Elevation
Scale 1:50

Menu and poster holder - 1 off
Scale 1:10
Menu and poster are contained in folded 1.2mm mirror polished stainless steel boxes. Fret cut text is backed with push through 5mm cascade blue acrylic. Hinged front doors and chrome locks. 6mm laminated glass for the windows. Blue cloth covered inserts. White LEDs around the internal perimeter for illumination. Rawl bolt through the base into the paving.



Wall mounted menu - 1 off
Scale 1:10
1.2mm brushed stainless steel front and hinged back.
Steel continuous hinge and standard cam lock.
Window backed up with a 6mm clear toughened glass panel.
Blue 750 acrylic menu insert holder.
Fluorescent tube in the top recess.



Technical Signs
Floor 1 - Unit 3
Hille Business Centre
132 St Albans Road
Watford, Herts, WD24 4AE
Tel: 01923 811999
Fax: 01923 811998
E-mail: info@technicalsigns.co.uk

Client: Pizza Express	
Address/job details 194a Haverstock Hill Belsize Park NW3 2AJ	
Existing Signs	
Job No	
Drawn by DN	Date 01/11/14
Scale As specified (A3)	Drawing No 438702-1
	Rev