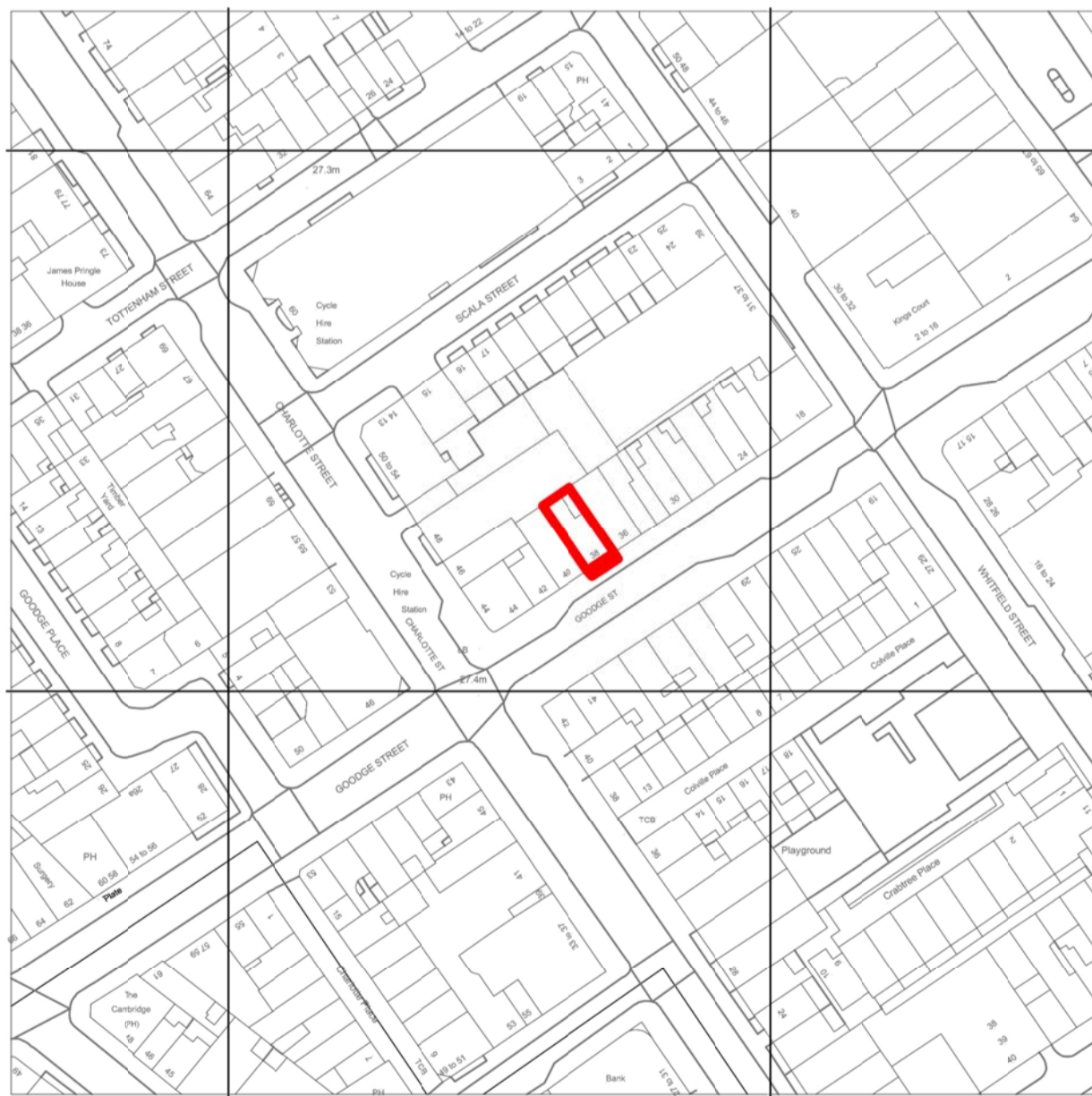




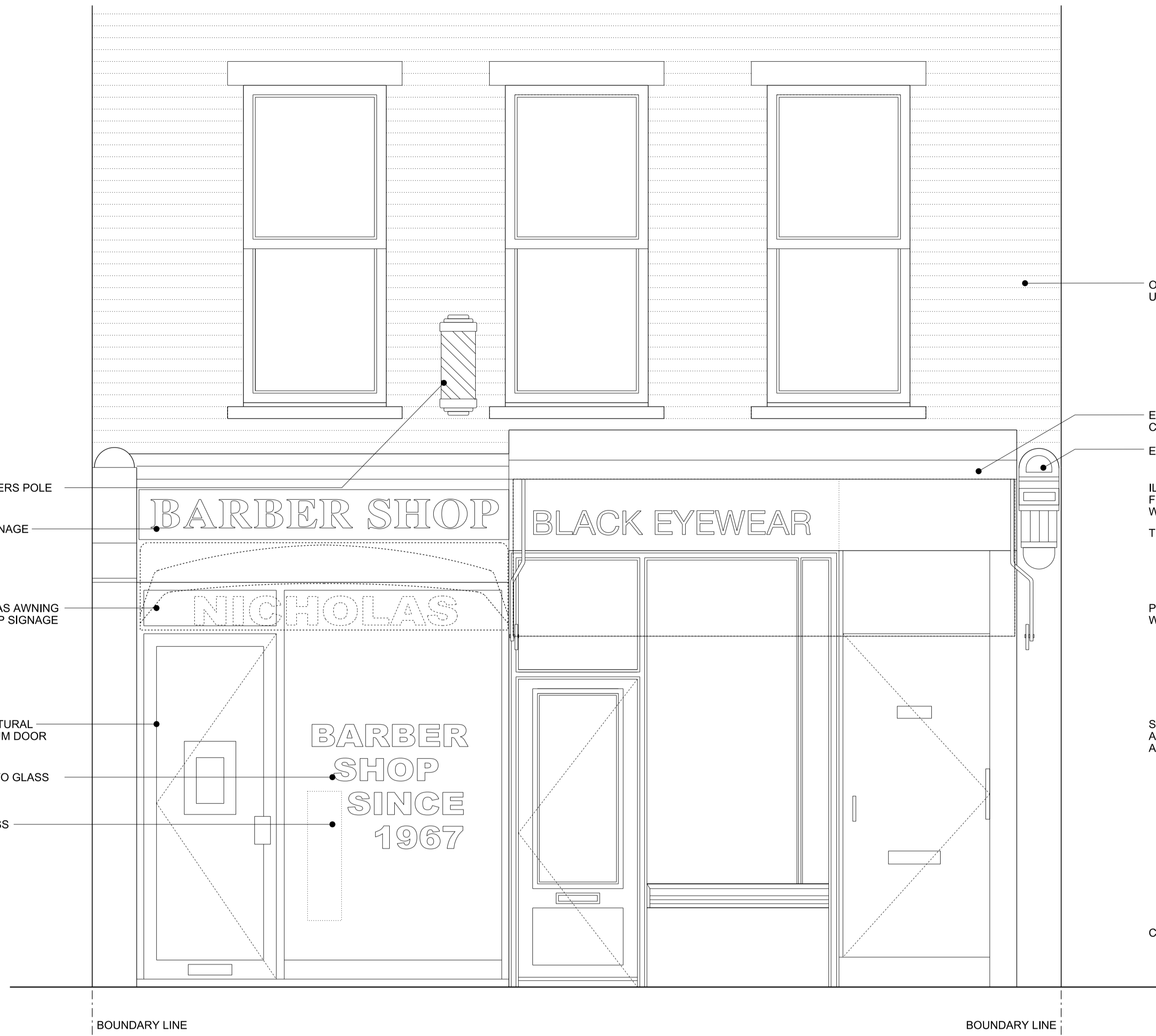
01 EXISTING VIEW - SHOPFRONT  
SCALE : NTS



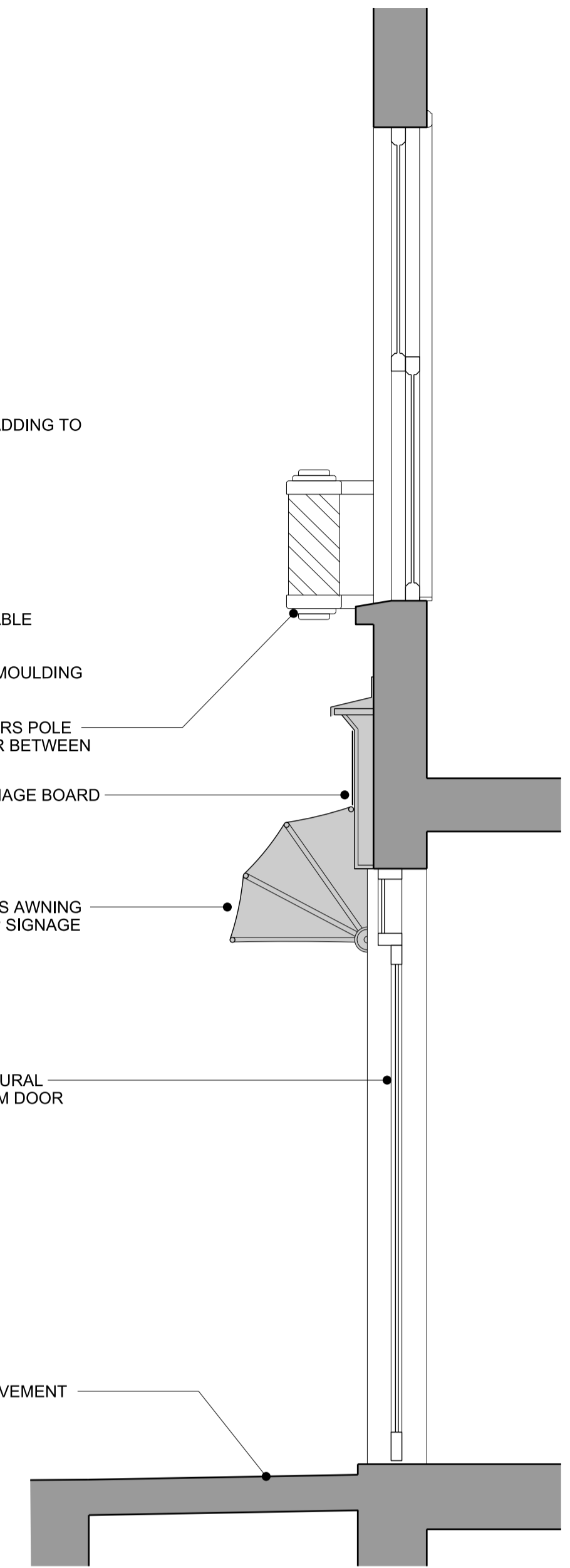
02 EXISTING VIEW - BUILDING  
SCALE : NTS



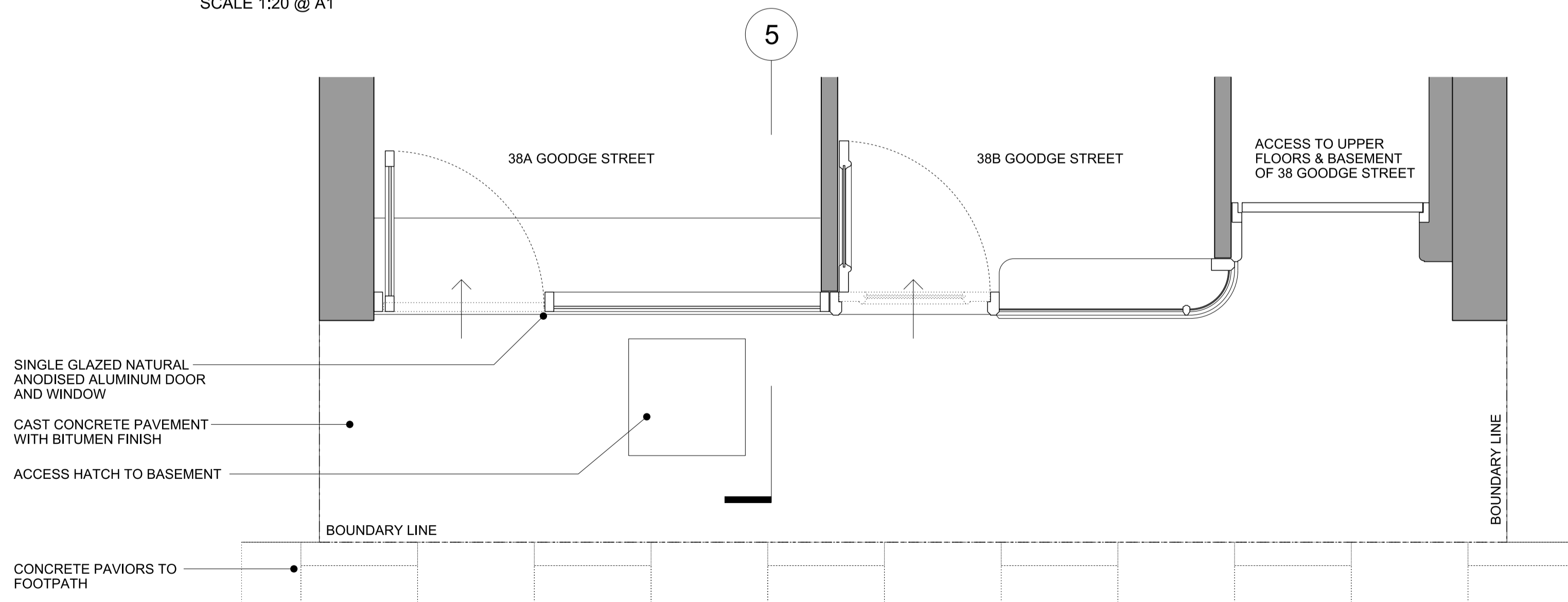
03 SITE PLAN  
SCALE : 1:1250 @ A1



03 EXISTING ELEVATION  
SCALE 1:20 @ A1



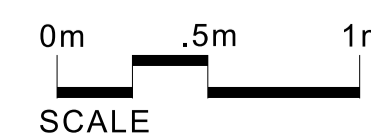
05 EXISTING SECTION  
SCALE 1:20 @ A1



04 EXISTING PLAN  
SCALE 1:20 @ A1

EXISTING

PLANNING



Project: 38 Goodge Street, London

Title: SHOPFRONT RENEWAL  
EXISTING

Scale: 1:20 @ A1 Drawing Number: GS-001

Issue: 01