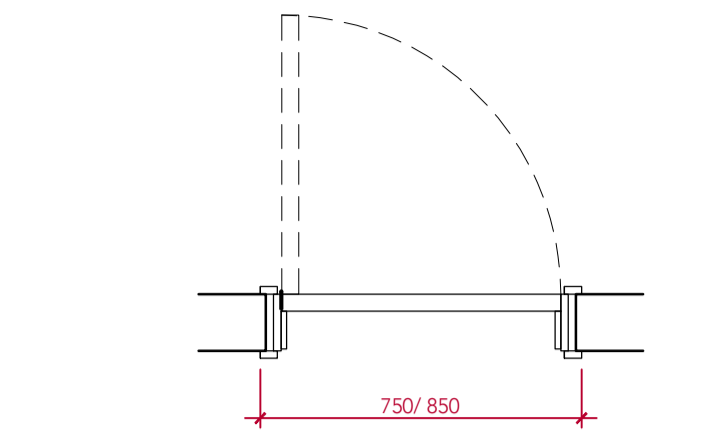
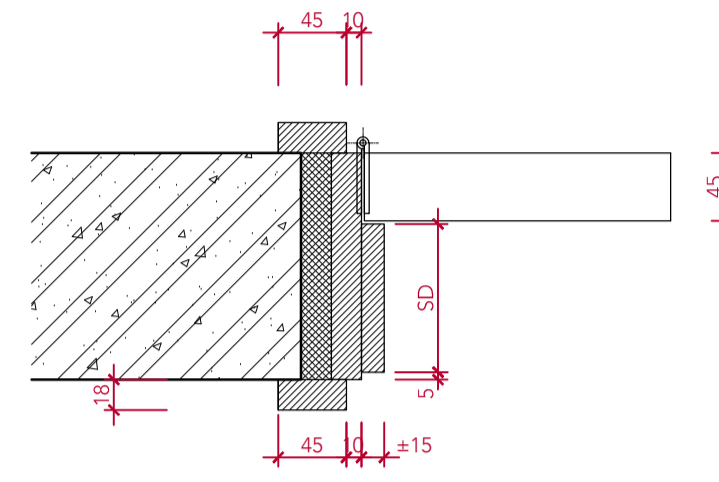


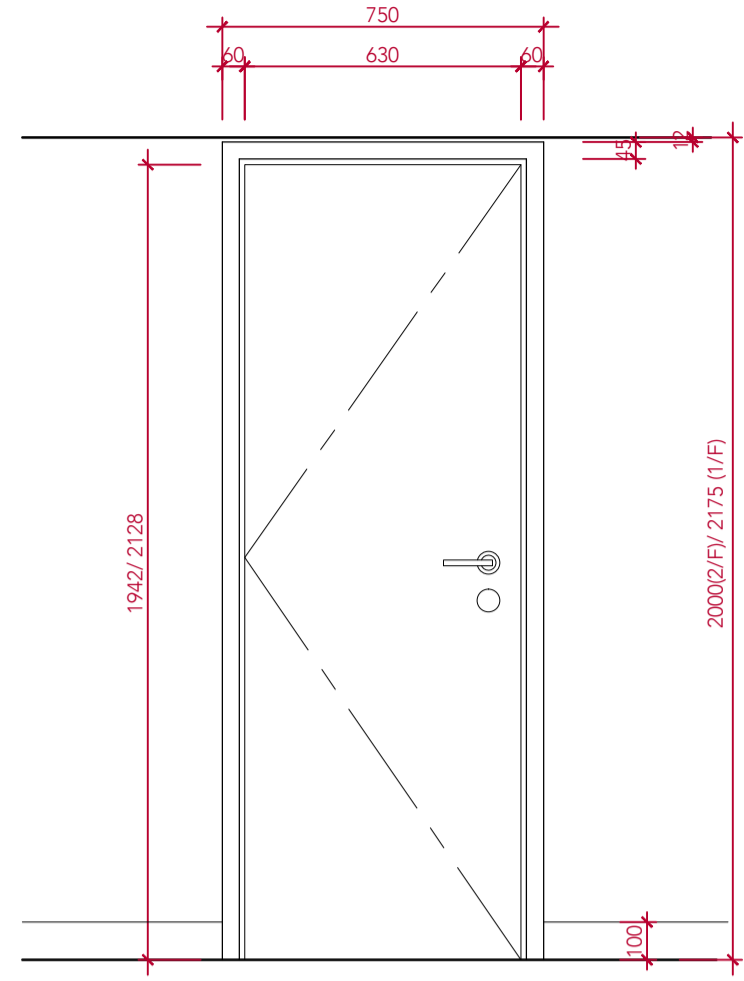
Door Type E - D07 ,D09



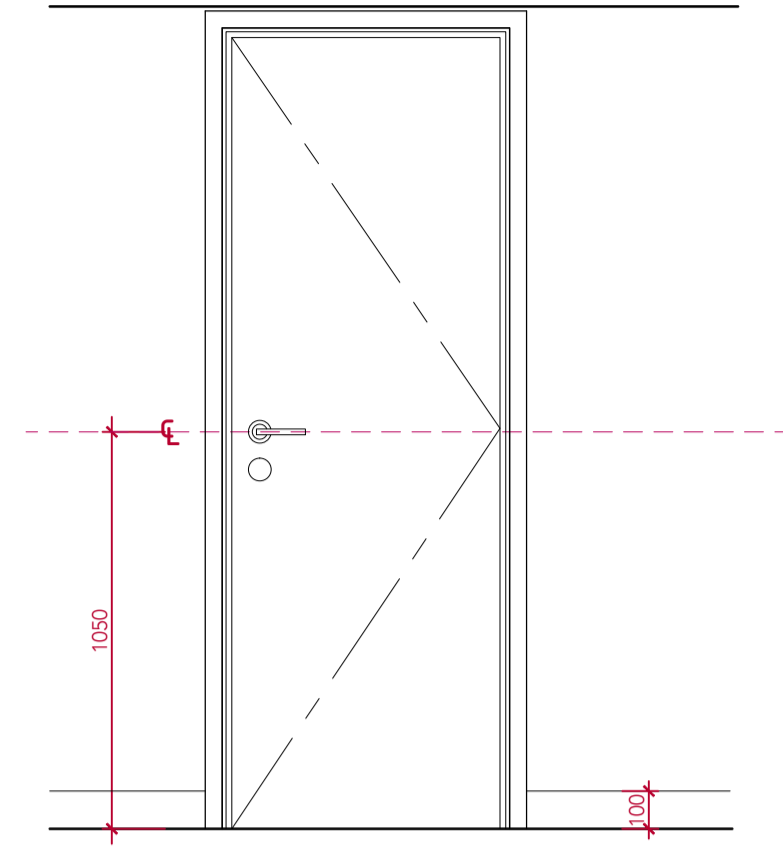
1 PLAN scale 1:30



4 DETAIL scale 1:5

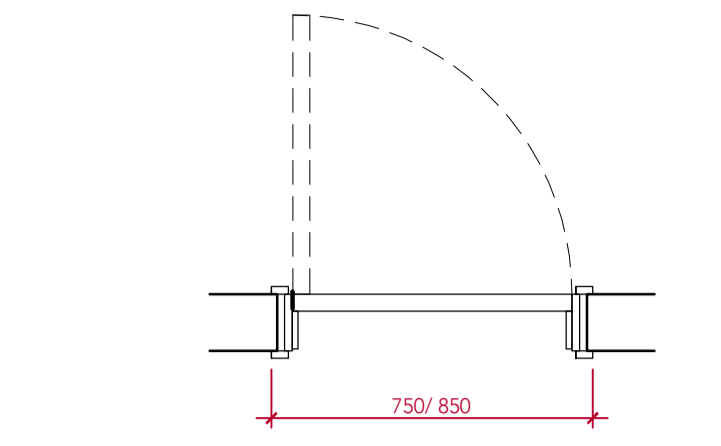


2 FRONT ELEVATION scale 1:30

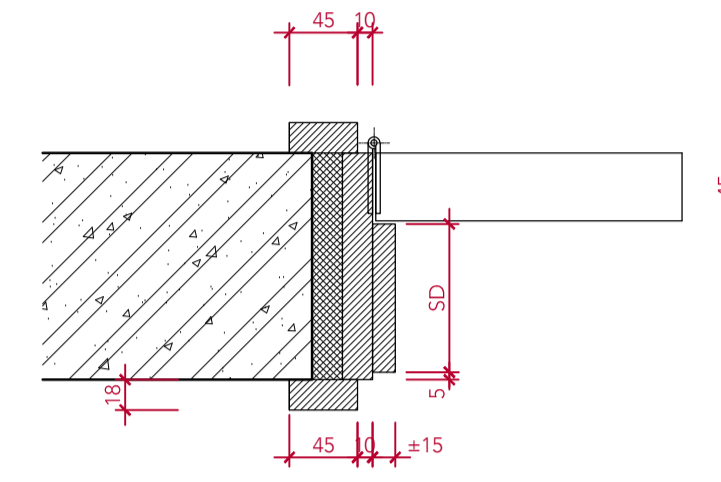


3 REAR ELEVATION scale 1:30

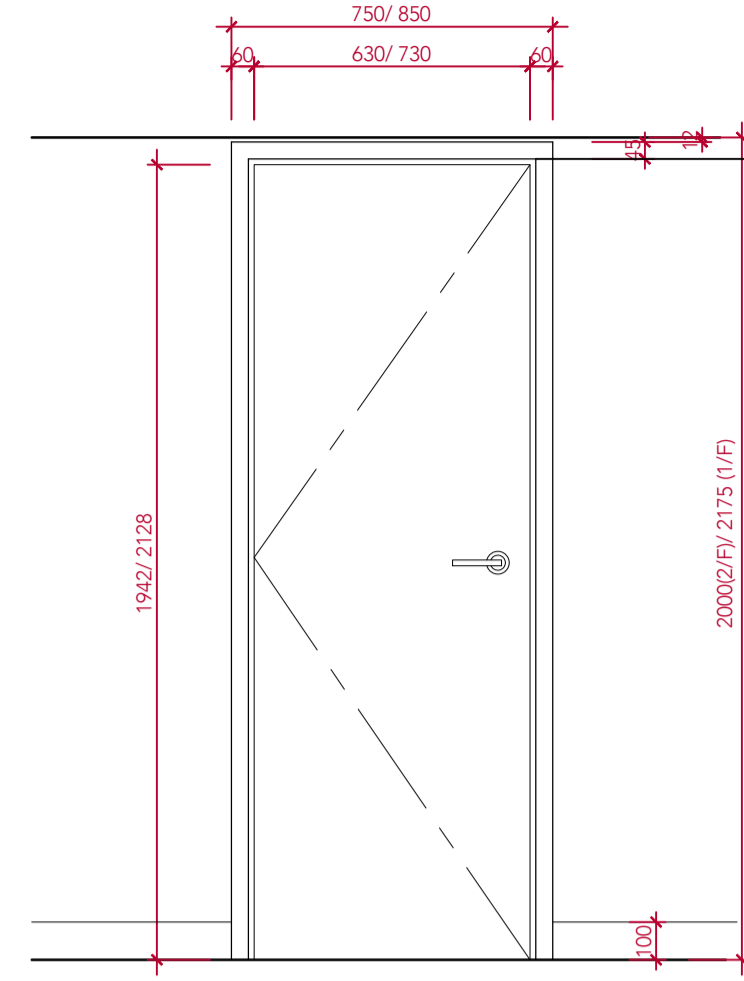
Door Type F - D06 ,D07, D10, D11



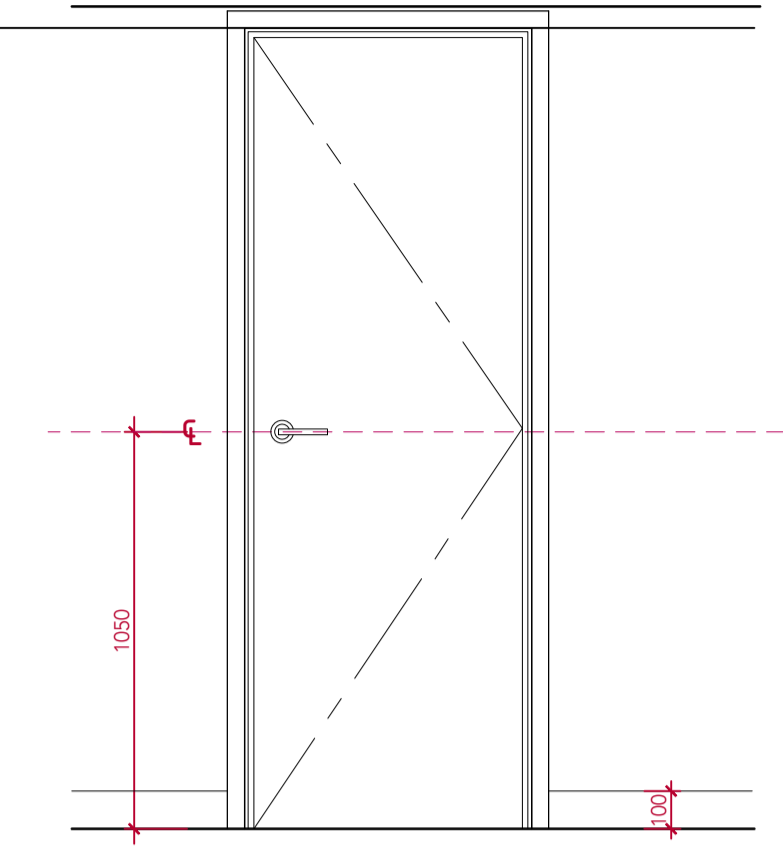
1 PLAN scale 1:30



4 DETAIL scale 1:5



2 FRONT ELEVATION scale 1:30



3 REAR ELEVATION scale 1:30

NOTE
DO NOT SCALE FROM THIS DRAWING
THIS IS A CONCEPT DRAWING AND FORMS THE CONCEPT BRIEF TO THE PROJECT ARCHITECT
INFORMATION CONTAINED WITHIN THIS DRAWING IS THE SOLE COPYRIGHT OF
TG STUDIO AND IS NOT TO BE REPRODUCED WITHOUT PERMISSION
TG STUDIO IS TO BE NOTIFIED IMMEDIATELY OF ANY DISCREPANCIES

ISSUE FOR LBC

08.10.2014



STUDIO
Architecture & Interior Design

10 RATHBONE PLACE LONDON W1T 1HP T: 020 7436 3838 F: 020 7436 5669 WWW.TG-STUDIO.CO.UK

PROJECT
26 PERRINS LANE
NW3 1QY

DRAWING
DOOR SCHEDULE

DATE 08.10.2014 DRAWN BY WL CHECKED BY TG

STATUS LBC SCALE & A1 1:20

DWG NO. 0129-DT-501

REV