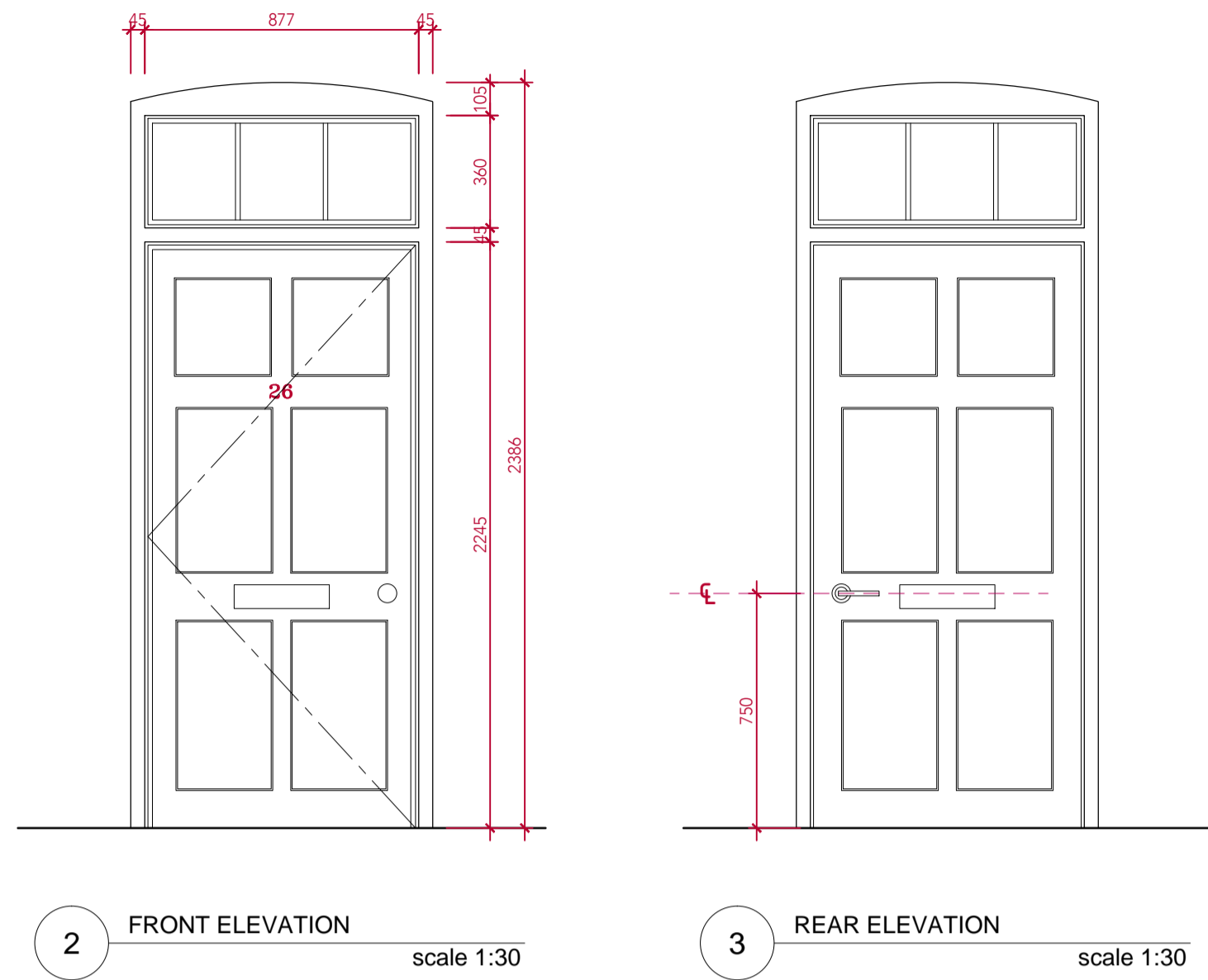
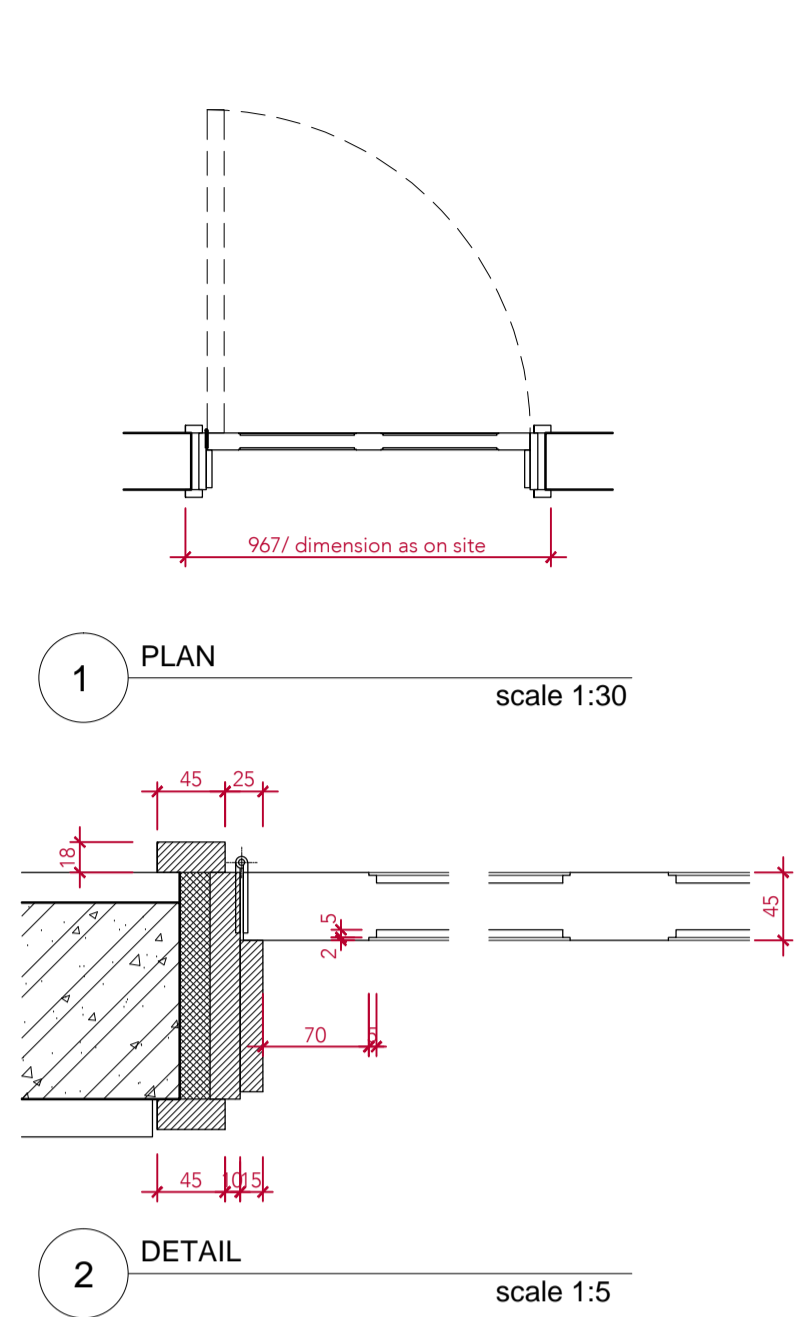


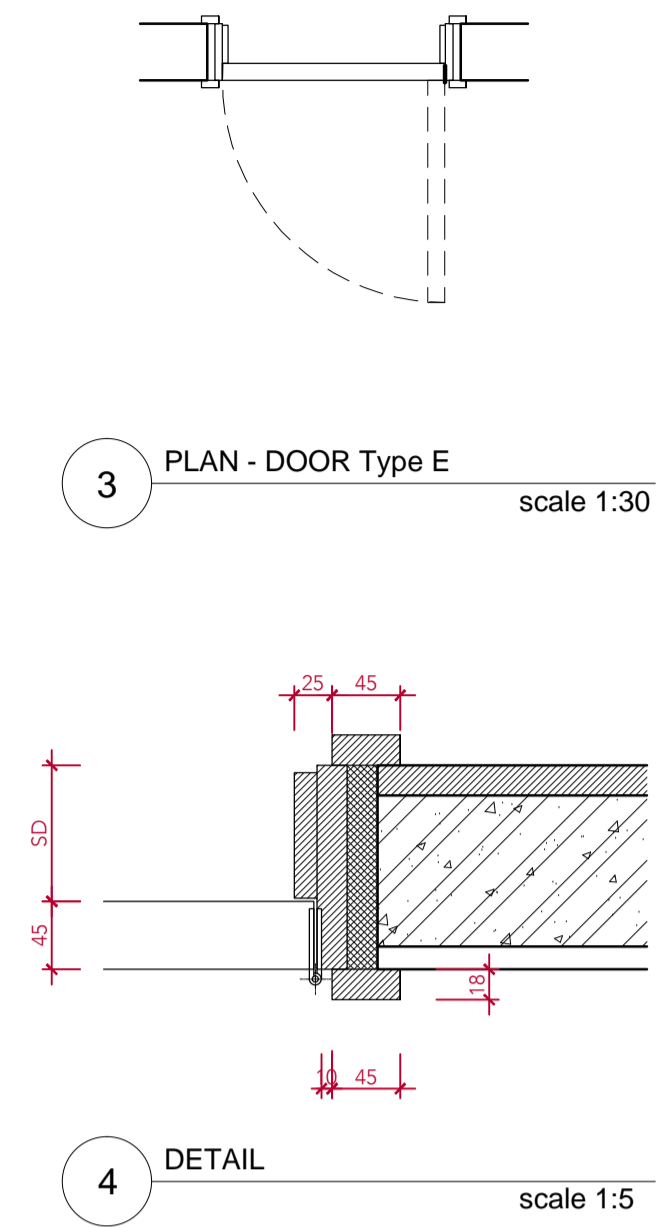
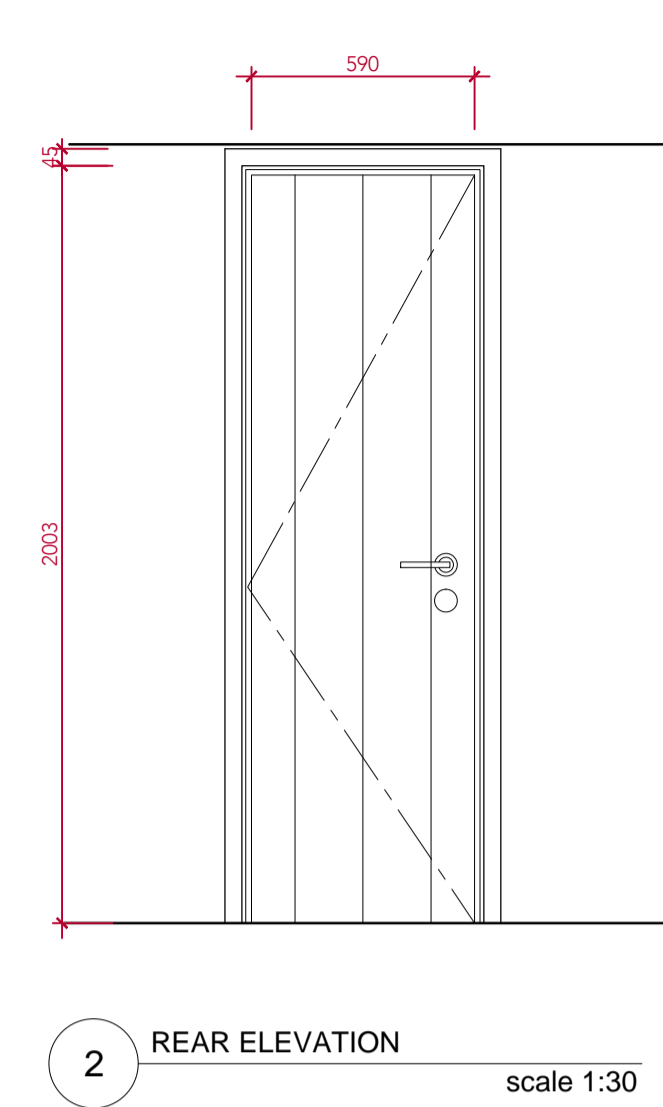
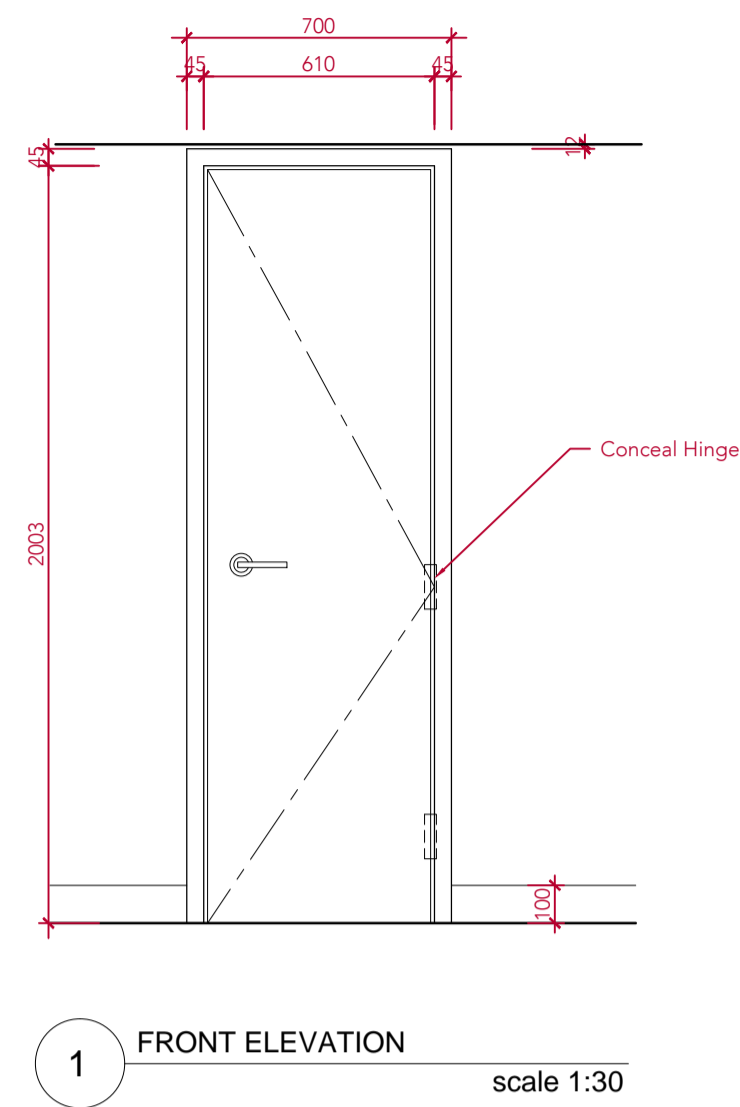
Door Type A - D01



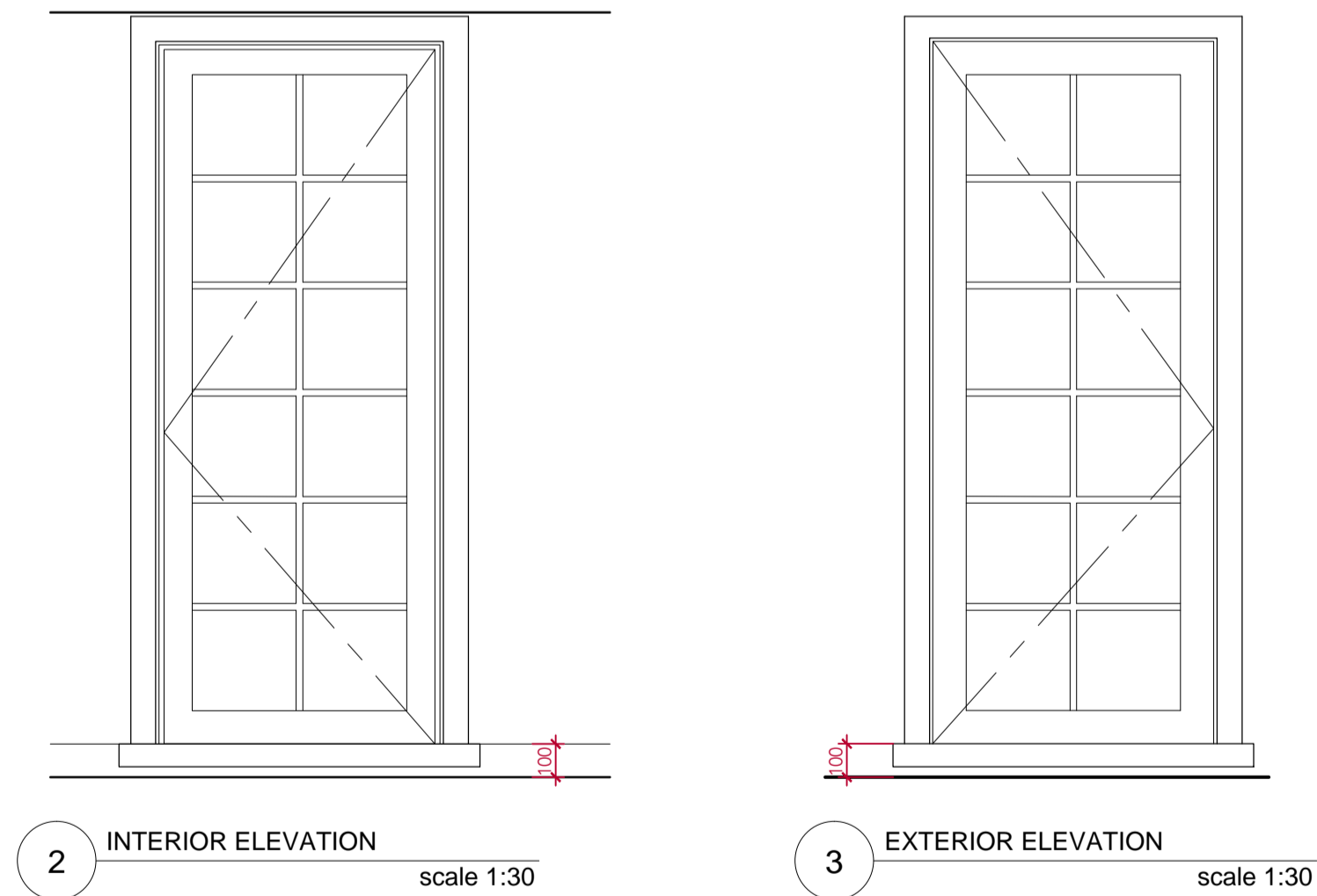
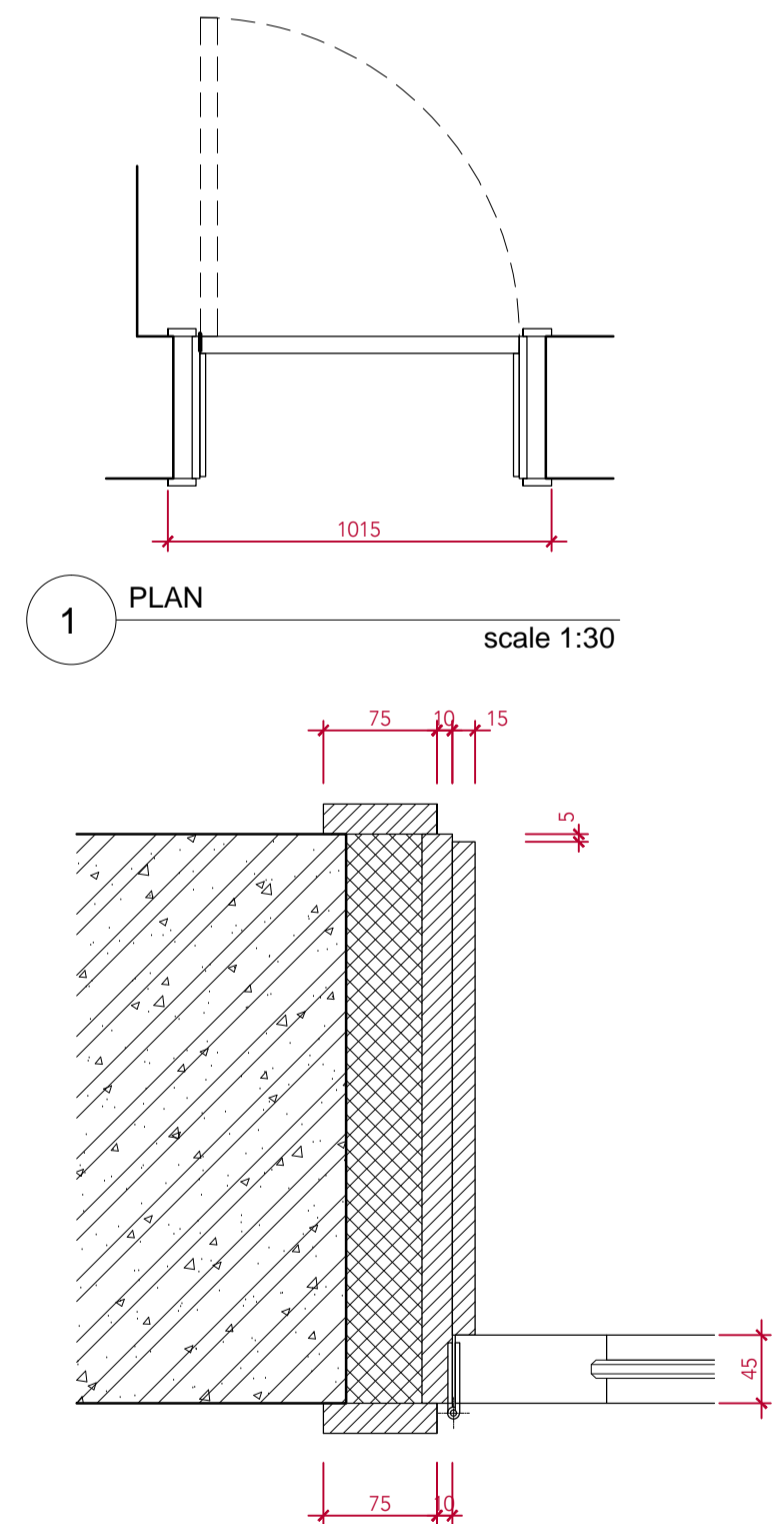
Finishes:

1. Door locksets are provided by client.
2. All skirting, doors, architrave, door frame, FARROW & BALL-ESTATE EGGSHELL- WIMBORNE WHITE 239
3. Timber Floor Board are provided by client.
4. All Hinges finish to be same as door handle

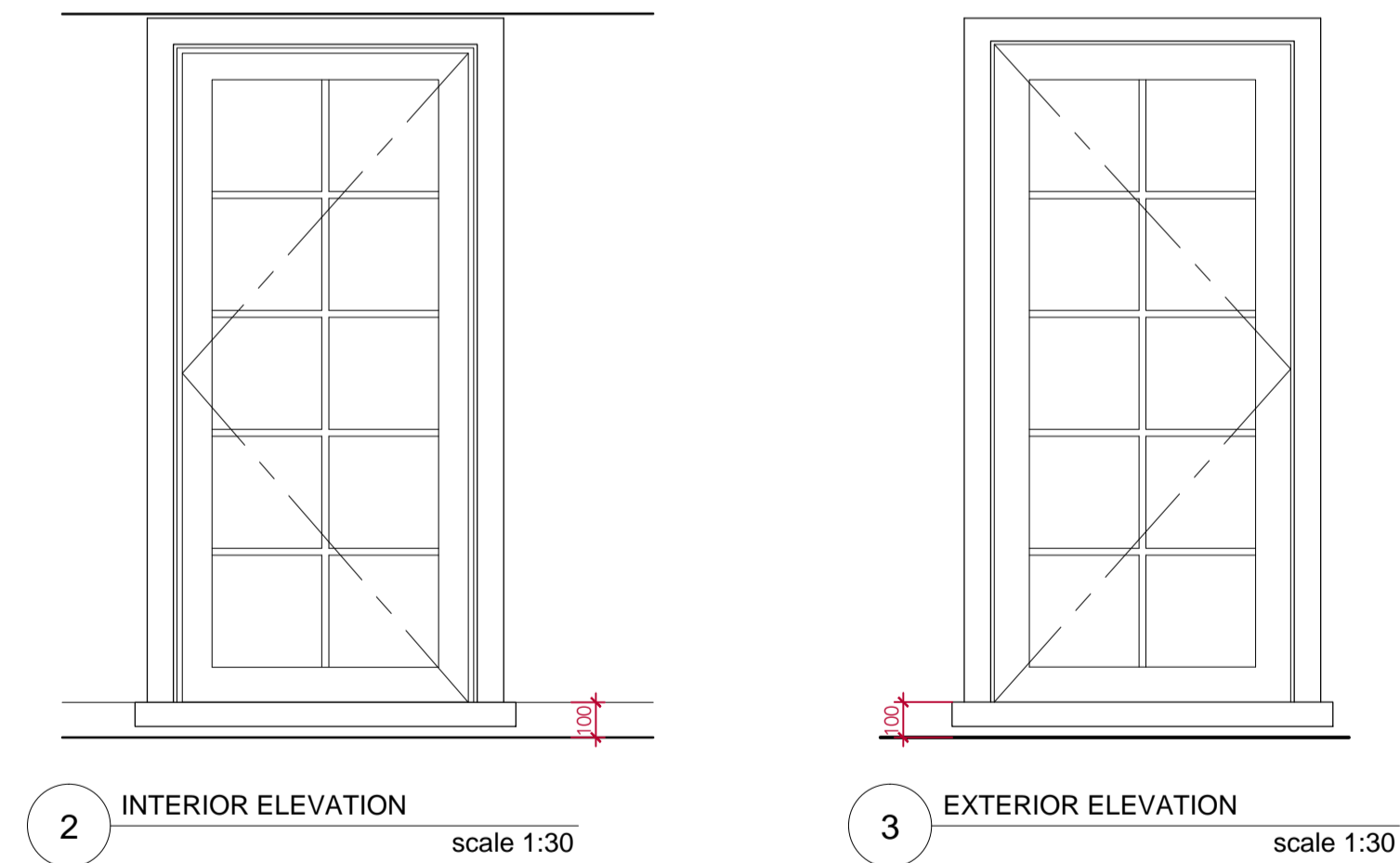
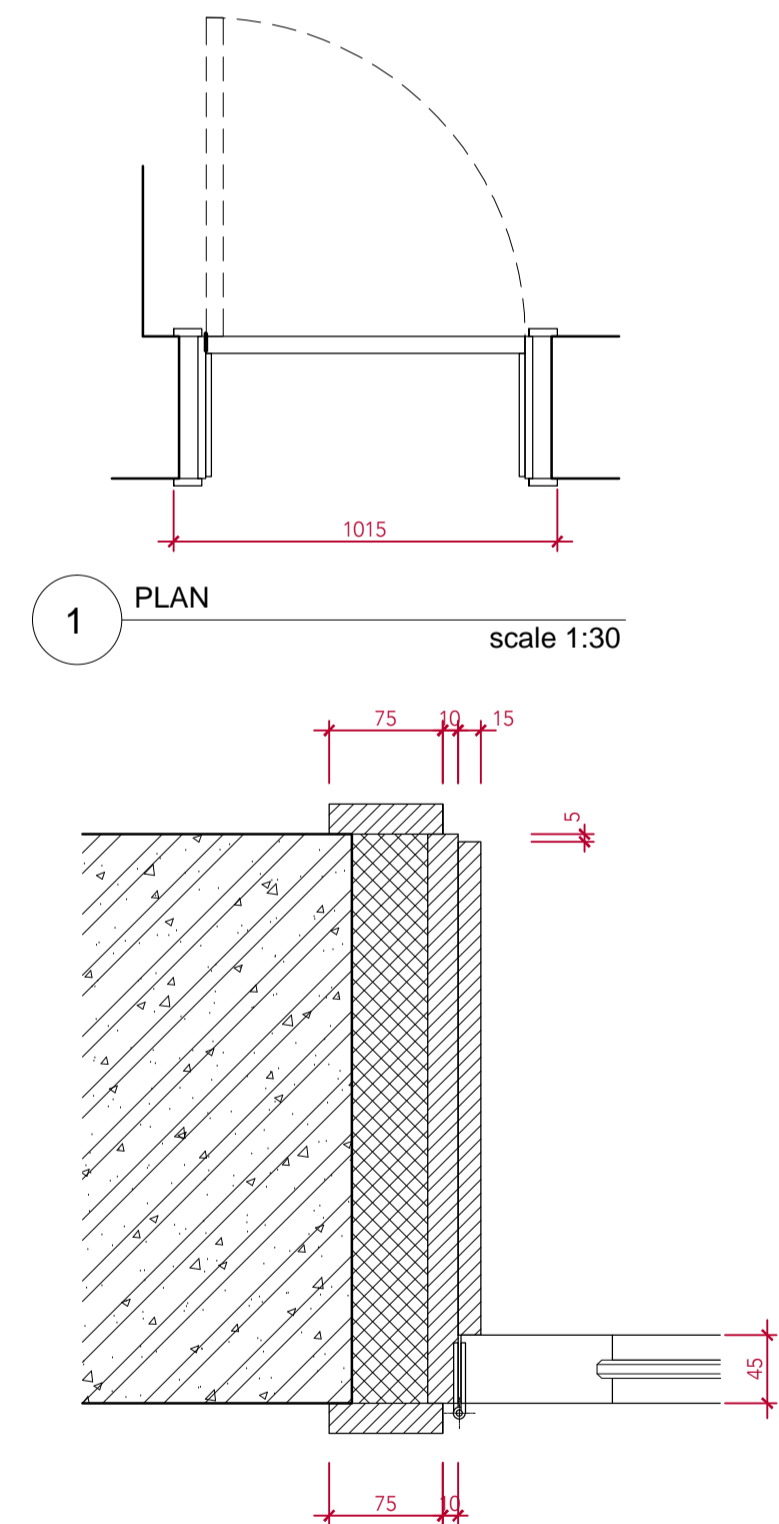
Door Type B - D03



Door Type C - D04



Door Type D - D05



NOTE
DO NOT SCALE FROM THIS DRAWING
THIS IS A CONCEPT DRAWING AND FORMS THE CONCEPT BRIEF TO THE PROJECT ARCHITECT
INFORMATION CONTAINED WITHIN THIS DRAWING IS THE SOLE COPYRIGHT OF
TG STUDIO AND IS NOT TO BE REPRODUCED WITHOUT PERMISSION
TG STUDIO IS TO BE NOTIFIED IMMEDIATELY OF ANY DISCREPANCIES

ISSUE FOR LBC

08.10.2014



10 RATHBONE PLACE LONDON W1T 1HP T 020 7436 3838 F 020 7436 5659 WWW.TG-STUDIO.CO.UK

PROJECT
26 PERRINS LANE
NW3 1QY

DRAWING
DOOR SCHEDULE

DATE 08.10.2014 DRAWN BY WL CHECKED BY TG

STATUS LBC SCALE & A1 1:20

DWG NO. 0129-DT-500