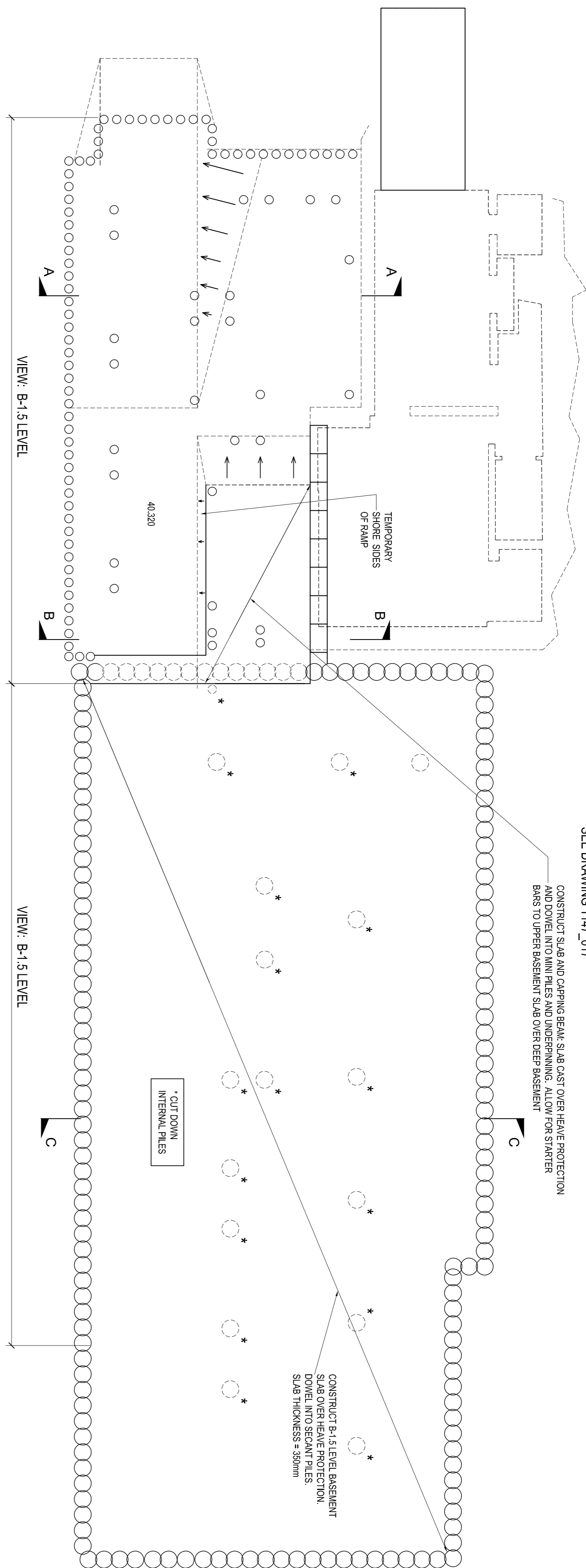


PREVIOUS STEP
SEE DRAWING 1147_017

CONSTRUCT SLAB AND CAPPING BEAM, SLAB CAST OVER HEAVE PROTECTION AND DOWEL INTO MINI PILES AND UNDERPINNING. ALLOW FOR STARTER BARS TO UPPER BASEMENT SLAB OVER DEEP BASEMENT



VIEW: B-1.5 LEVEL

VIEW: B-1.5 LEVEL

VIEW: B-1.5 LEVEL

STEP 8 CONSTRUCT B-1.5 LEVEL BASEMENT SLAB

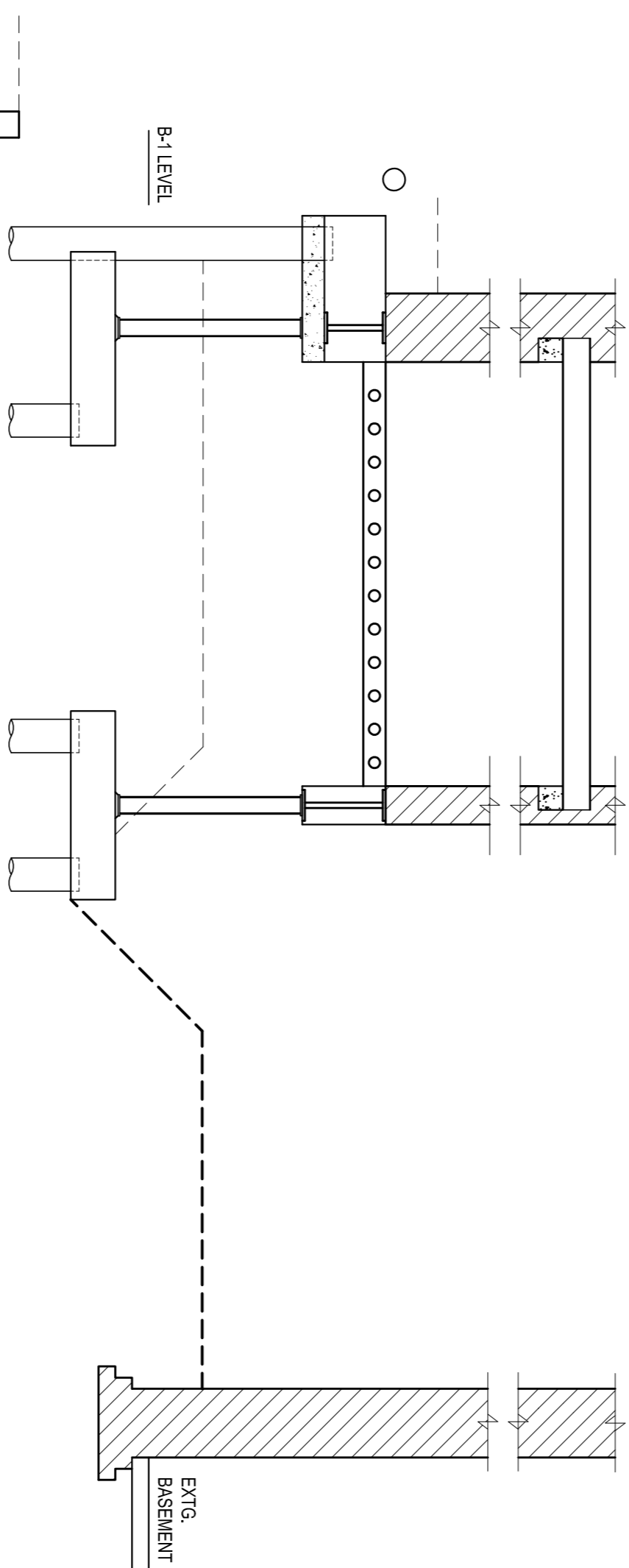
VIEW: B-1.5 LEVEL (37,890) AS NOTED

NEXT STEP
SEE DRAWING 1147_019

SCALE 1:100

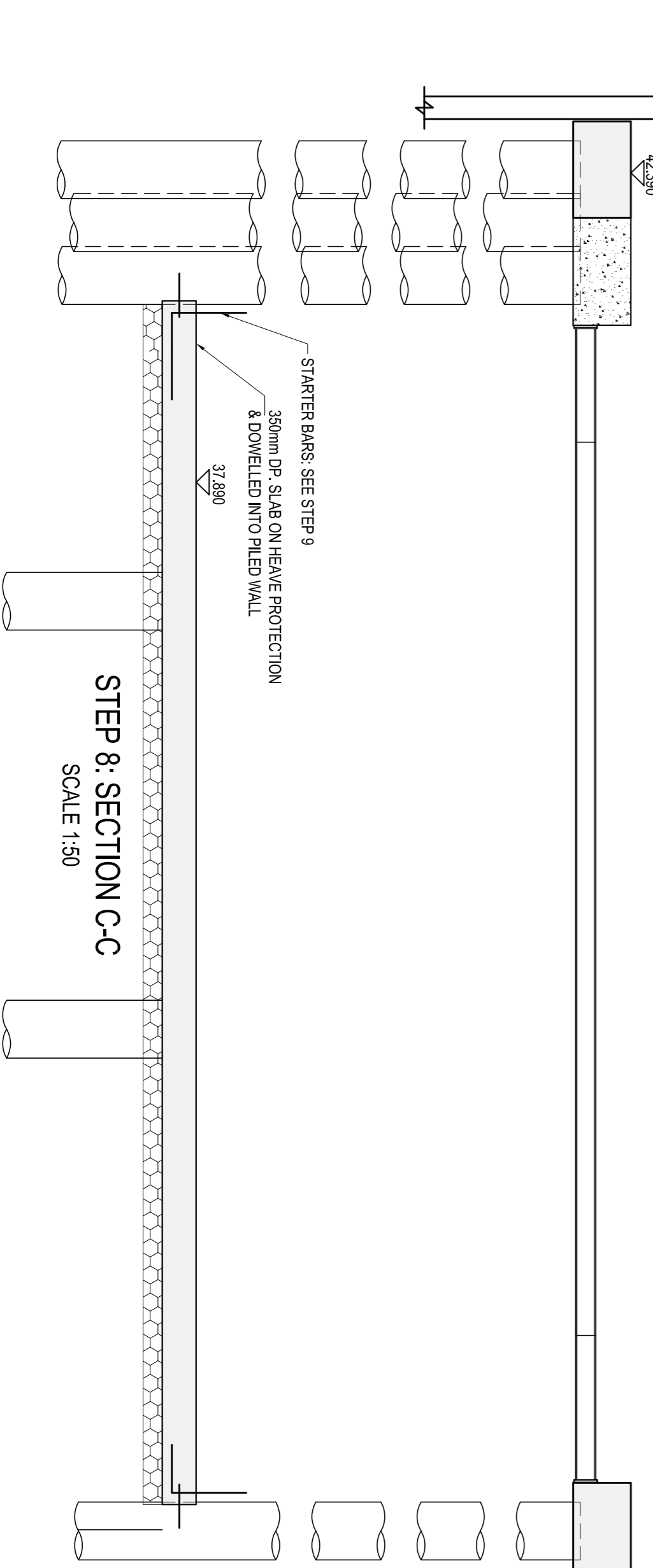
STEP 8

44 AVENUE ROAD



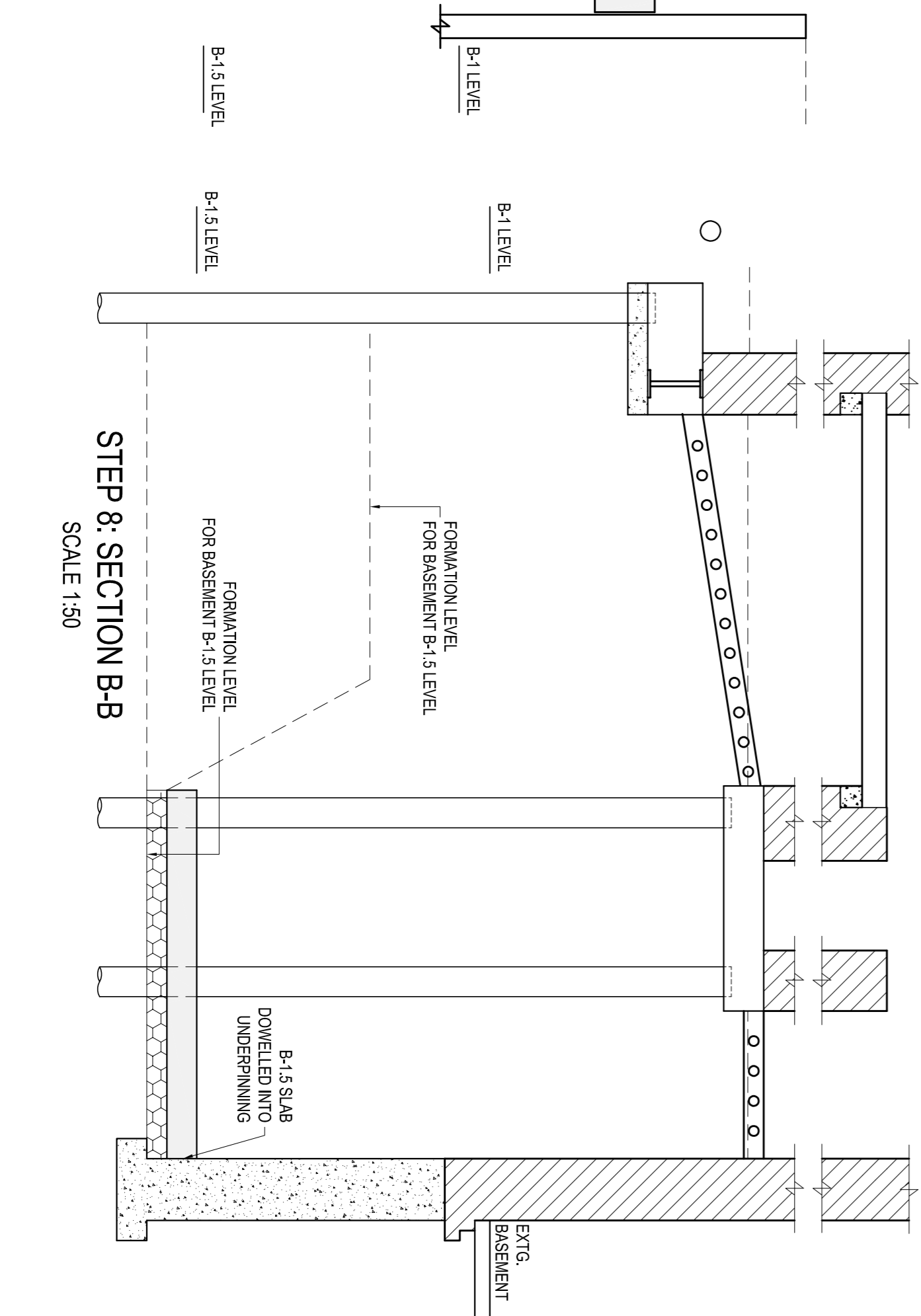
STEP 8: SECTION A-A

SCALE 1:50



STEP 8: SECTION C-C

SCALE 1:50



STEP 8: SECTION B-B

SCALE 1:50

NOTES:
DRAWING TO BE READ IN CONJUNCTION WITH ALL ARCHITECTS AND SERVICES ENGINEERS DRAWINGS, AND ALL OTHER RELEVANT INFORMATION.
DO NOT SCALE FROM THE DRAWING, USE FIGURED DIMENSIONS ONLY.
THE CONTRACTOR IS TO VERIFY ALL DIMENSIONS ON SITE BEFORE COMMENCING ANY WORK OVER AND MATERIALS TO BE IN ACCORDANCE WITH CURRENT BUILDING REGULATIONS AND BRITISH STANDARDS.
THIS DRAWING REMAINS THE COPYRIGHT OF EDGE STRUCTURES LTD.
THIS DRAWING IS BASED ON INFORMATION PROVIDED BY BB PARTNERSHIP ARCHITECTS.

REV	DESCRIPTION	DR	CH	APP	DATE
P5	RWS FOR SINGLE LEVEL BASEMENT	JF	SP		29.05.14
P4	ADJUSTED PROPERTIES OUTLINED	WHH	PO		25.11.11
P3	DELS & EELS RWS TO SUIT ARCHITECTS RWS DRESS	WHH	PO		22.05.11
P2	DELS & EELS RWS TO SUIT ARCHITECTS RWS DRESS	WHH	PO		12.05.11
P1	FIRST ISSUE, PRELIMINARY	WHH	PO		19.08.11

DRAWN BY	CHECKED BY	APPROVED BY	DATE
JF	TB		MAY 2014

SCALES @ A1
1:100, 1:50
SCALES @ A3 1:200, 1:100
FILE: 01147_020 Proposed Sequence Single Basement - 1147_017.dwg
RESTRICTIONS
P RELIMINARY
PROJECT
46 AVENUE ROAD
LONDON NW8
REFURB & BASEMENT WORKS:
TITLE
PROPOSED WORK SEQUENCE
FOR BASEMENT CONSTRUCTION
SHEET 8 OF 10: STEP 8

edge structures
1147
018
P5