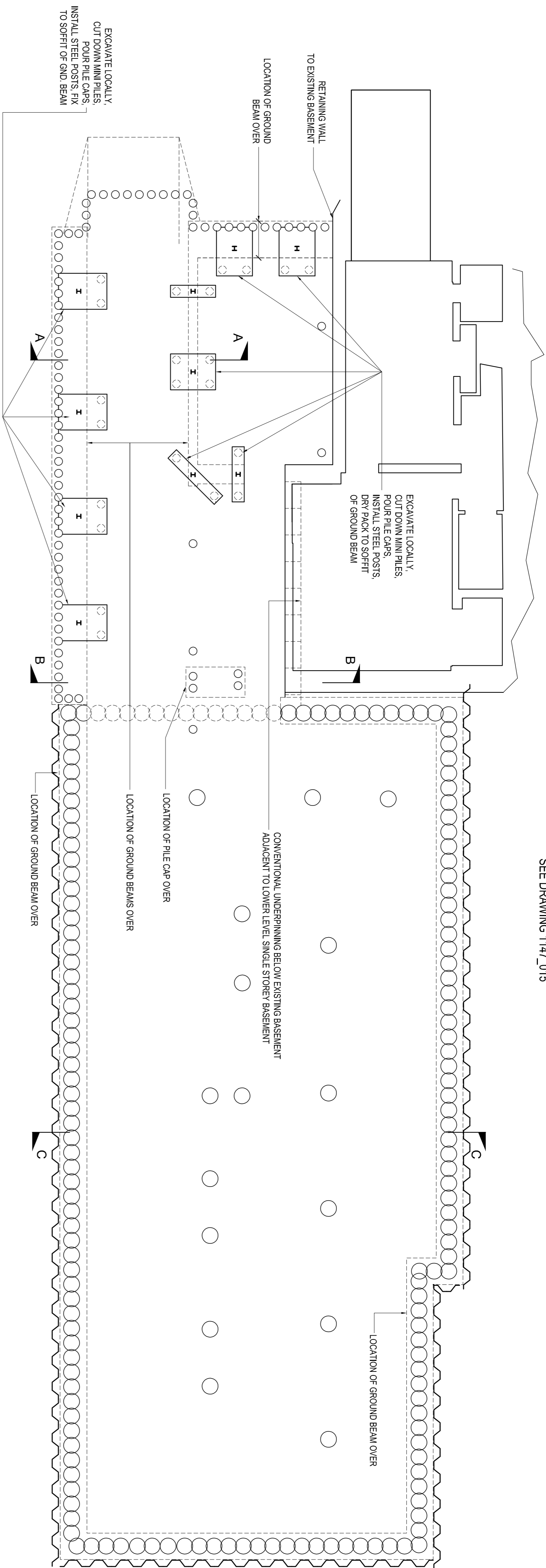


48 AVENUE ROAD

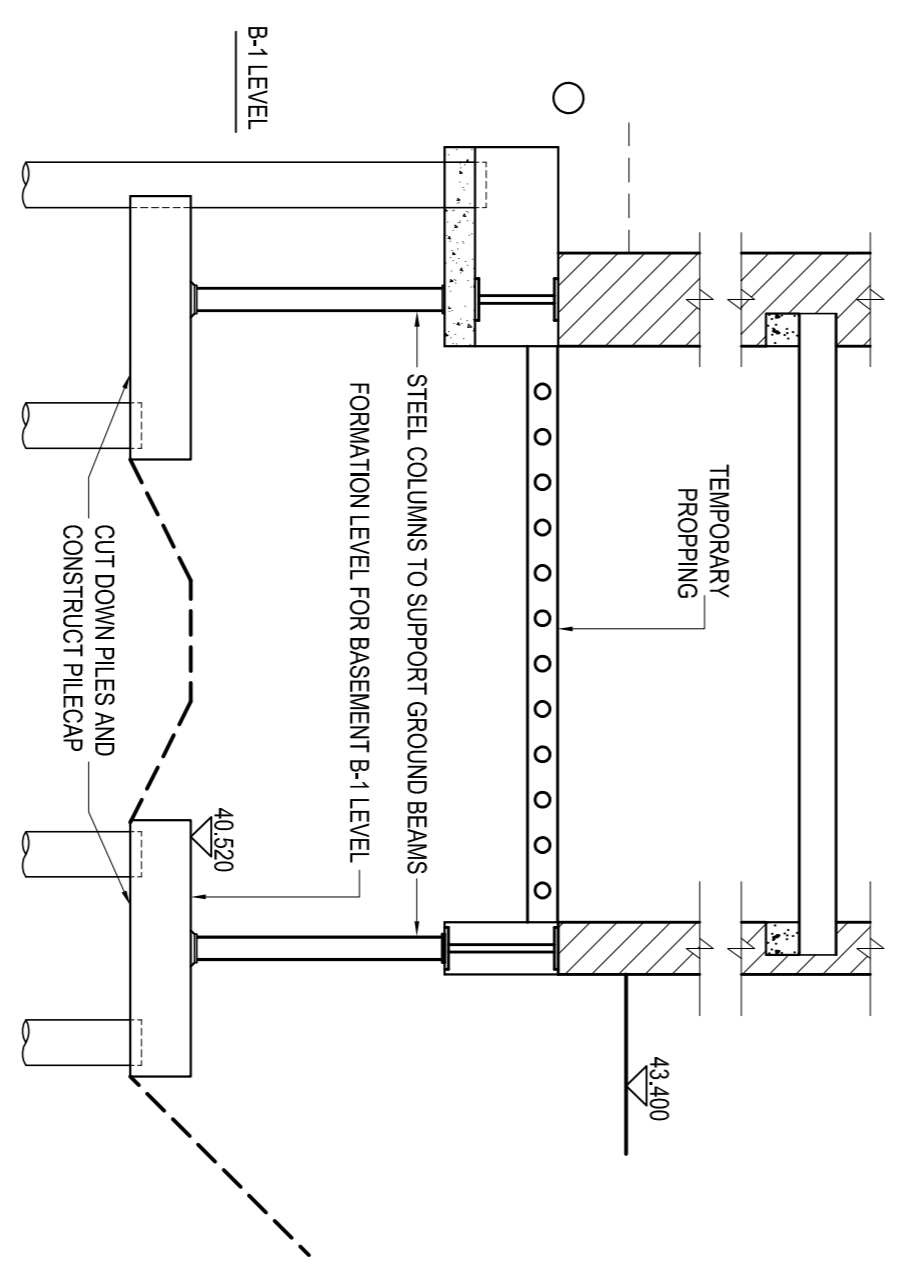
PREVIOUS STEP  
SEE DRAWING 1147\_015



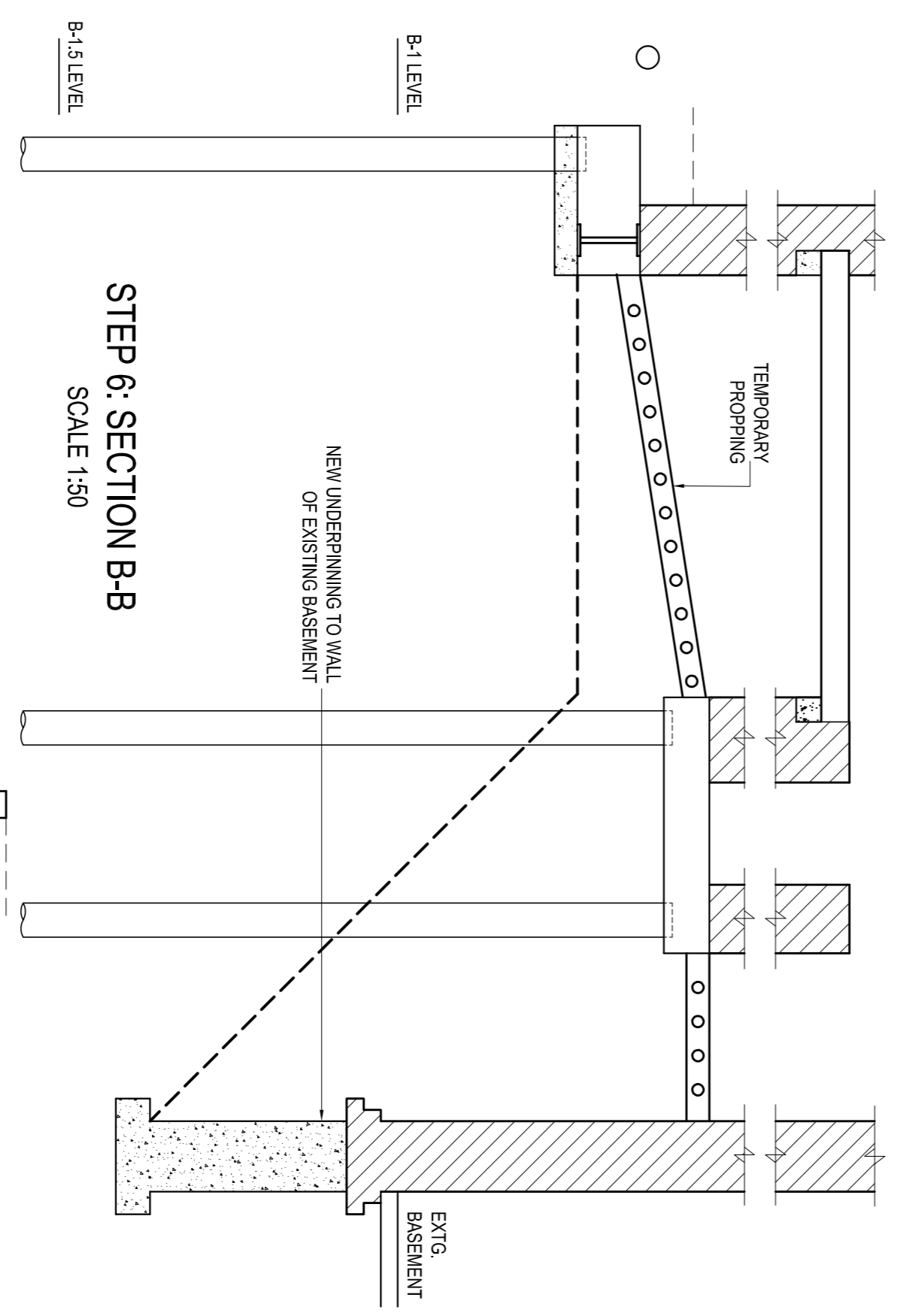
**STEP 6**

NEXT STEP  
SEE DRAWING 1147\_017

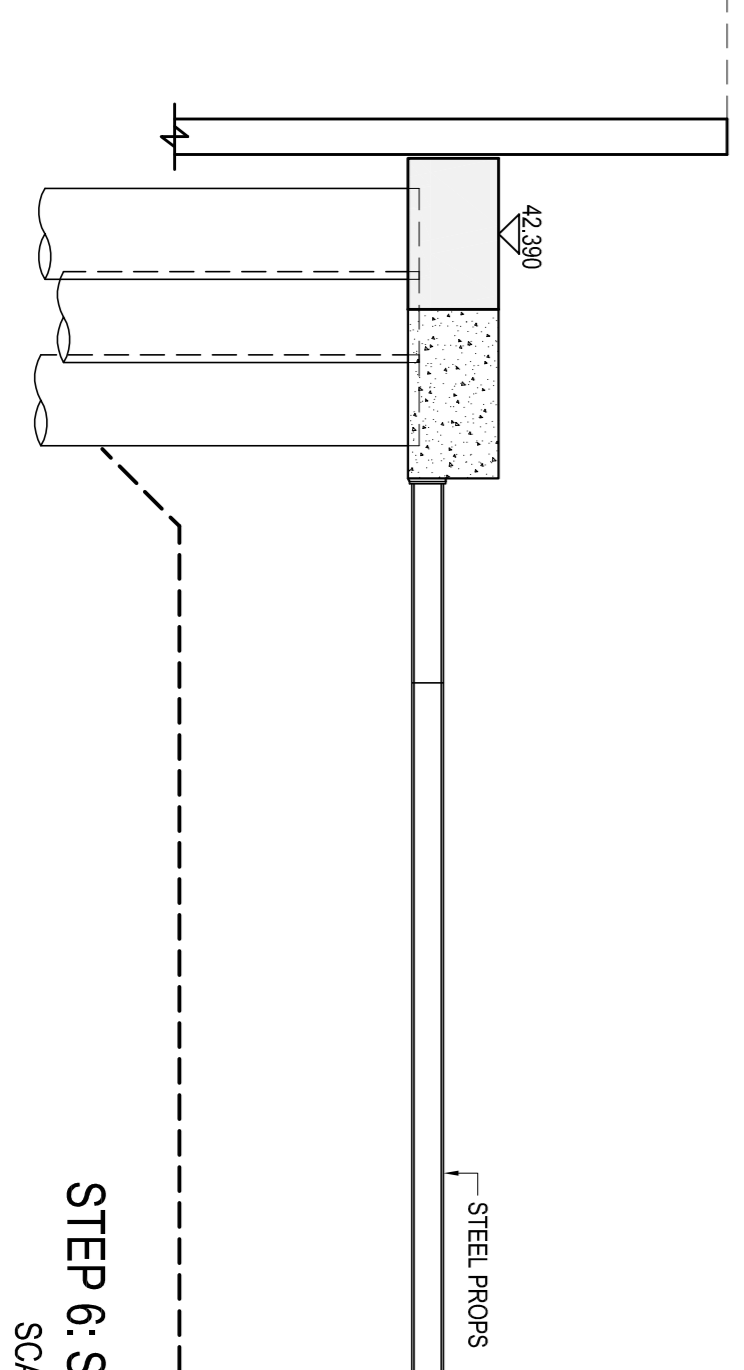
STEP 6  
UNDERPIN GROUND BEAMS TO PERMIT  
EXCAVATION OF BASEMENT UNDER EXTG. BUILDING  
VIEW: B-1 LEVEL (37.390)  
SCALE 1:100



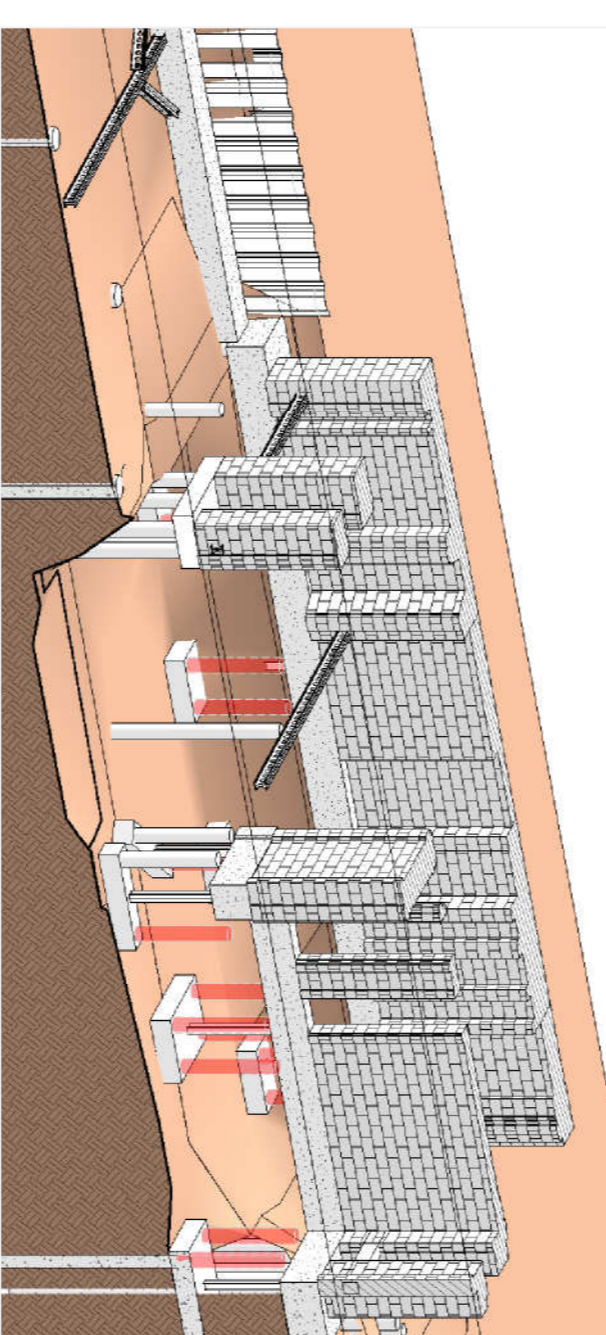
**STEP 6: SECTION A-A**  
SCALE 1:50



**STEP 6: SECTION B-B**  
SCALE 1:50



**STEP 6: SECTION C-C**  
SCALE 1:50



**3D VIEW FROM REAR OF BUILDING**

NOTES:  
DRAWING TO BE READ IN CONJUNCTION WITH ALL ARCHITECTS AND SERVICES ENGINEERS DRAWINGS, AND ALL OTHER RELEVANT INFORMATION.  
ANY DISCREPANCIES TO BE BROUGHT TO THE ATTENTION OF EDGE STRUCTURES LTD.  
DO NOT SCALE FROM THE DRAWING, USE FIGURED DIMENSIONS ONLY.  
THE CONTRACTOR IS TO VERIFY ALL DIMENSIONS ON SITE BEFORE COMMENCING ANY WORK AND MATERIALS TO BE IN ACCORDANCE WITH CURRENT BUILDING REGULATIONS AND BRITISH STANDARDS.  
THIS DRAWING REMAINS THE COPYRIGHT OF EDGE STRUCTURES LTD.  
THIS DRAWING IS BASED ON INFORMATION PROVIDED BY BB PARTNERSHIP ARCHITECTS.

REV	DESCRIPTION	OR	CH	APP	DATE
P8	3D IMAGES ADDED	SH	SP		10/07/14
P7	THE SEAS RISED FOR SINGLE BASEMENT	SH	SP		29/05/14
P6	REVISIONS FOR THE SEAS RISED FOR SINGLE BASEMENT	SH	SP		12/11/11
P5	REVISIONS FOR THE SEAS RISED FOR SINGLE BASEMENT	SH	SP		12/06/11
P4	REVISIONS FOR THE SEAS RISED FOR SINGLE BASEMENT	SH	SP		12/06/11
P3	REVISIONS FOR THE SEAS RISED FOR SINGLE BASEMENT	SH	SP		12/06/11
P2	REVISIONS FOR THE SEAS RISED FOR SINGLE BASEMENT	SH	SP		12/06/11
P1	FIRST ISSUE: PRELIMINARY	SH	SP		19/08/11

DRAWN BY	WHRH	CHECKED BY	PO	ISSUED BY	TB	DATE	AUG 2011
SCALE	@ A1	SCALE	1:100	SCALE	@ A3	1:200	
PROJECT	P RELIMINARY						
PRODUCT	46 AVENUE ROAD LONDON NW8 REFURB & BASEMENT WORKS:						
TITLE	PROPOSED WORK SEQUENCE FOR BASEMENT CONSTRUCTION SHEET 6 OF 10: STEP 6						

edge structures  
1147  
016  
P6

edge structures Ltd  
London • Leeds  
5th Floor, 1147 Avenue Road  
London NW8 7SL  
T: 020 7328 4690  
F: 020 7328 4691  
e: info@edgestructures.com