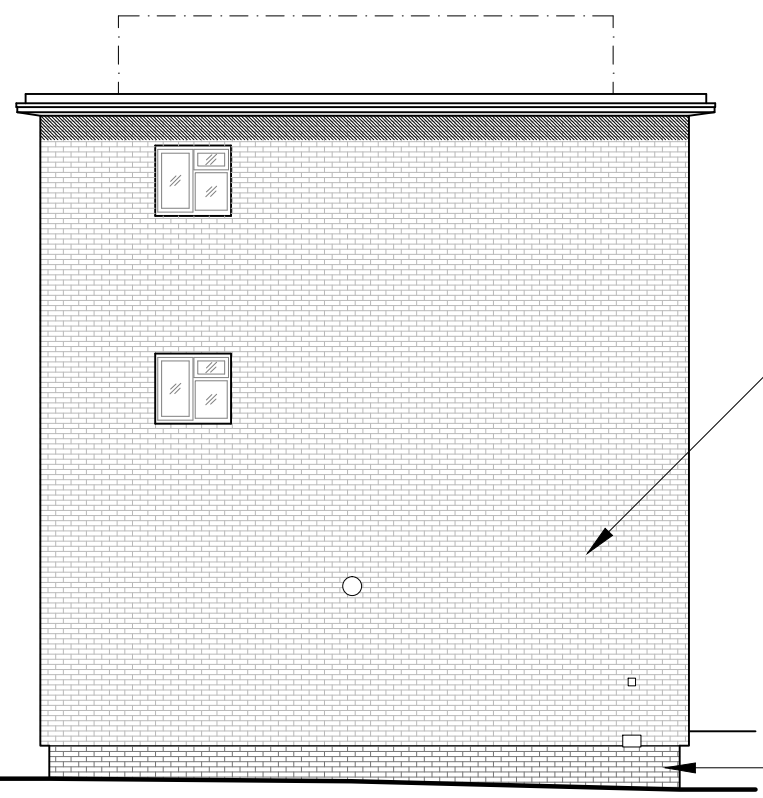


New external wall insulation finish with brick slips



ELEVATION A

Existing tiling retained



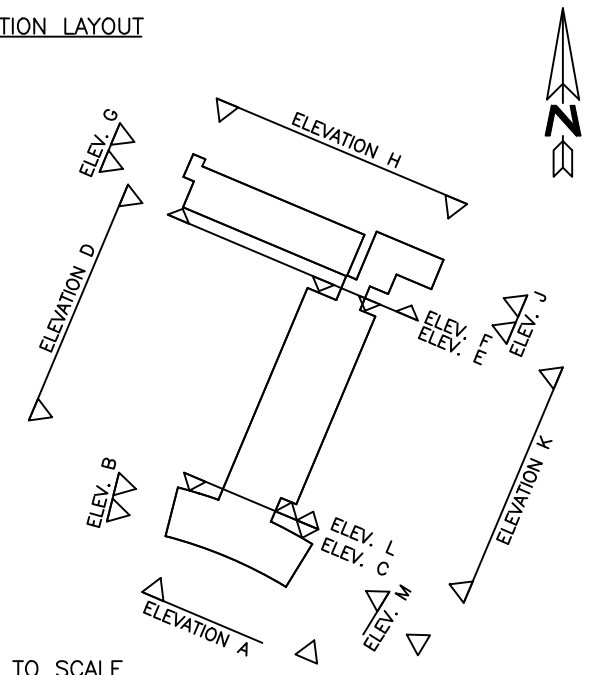
ELEVATION B

New external wall insulation finish with brick slips

Existing brickwork retained below DPC



ELEVATION LAYOUT



NOT TO SCALE

Colour References	
Main Walls:	Colour to match existing b/w
Ducting:	Ducting to external surfaces pipework to be colour coded correspondingly

Proposed Elevations
Scale 1:100 @ A-3

Ref:1325/G148/06 Rev:A

1-48 Greenwood
London
NW5 2BB



Client: Lakehouse



Drawn by: SF
Date: 14th October 2014

pod LLP
Unit 1.3
13 The Leathermarket
Weston Street
London SE1 3ER



Tel: 020 3176 5590
Mob: 07808 037 998
Email: simon@podpartnership.com
Web: www.podpartnership.com