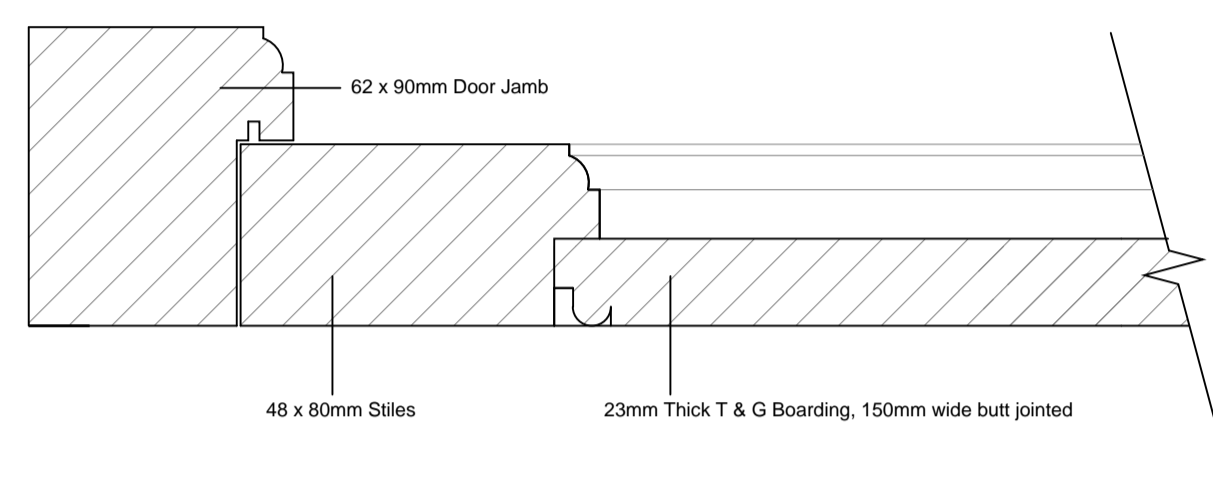
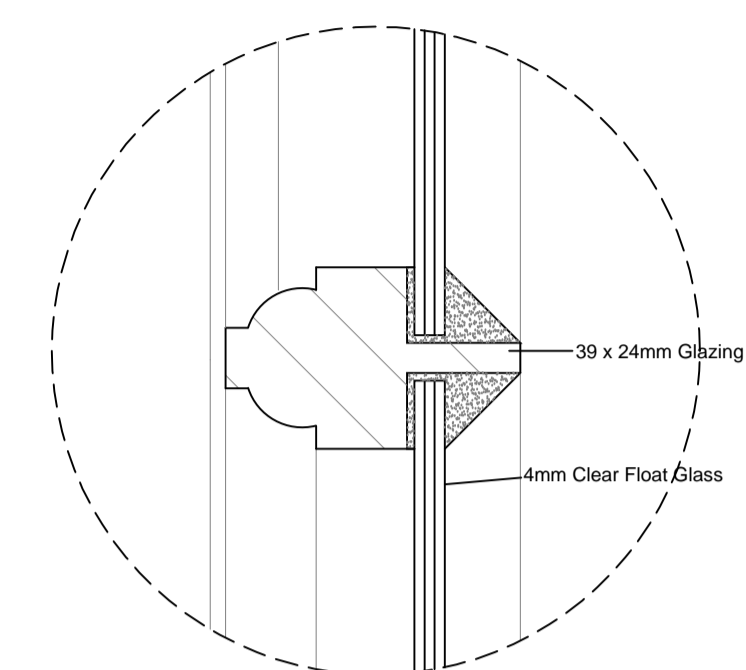


Vertical Section (1:2)



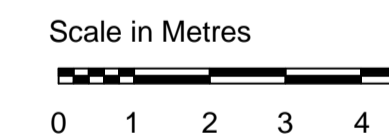
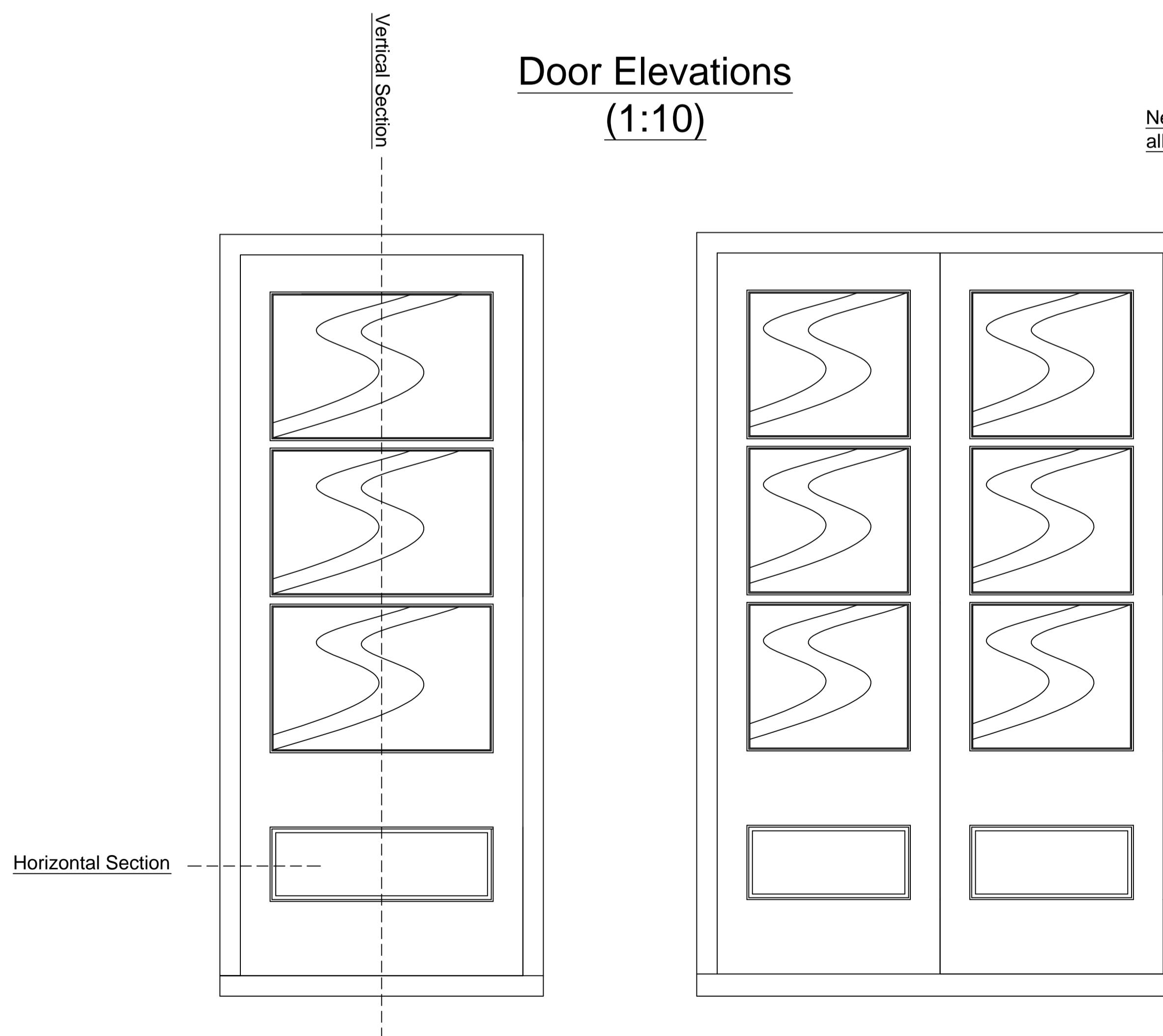
Horizontal Section (1:2)



Detail Section(1:1)

Door Elevations (1:10)

New Hardwood doors and frames
all finished in 3 coat micro-porous
paint, colour to be agreed



THE JTS PARTNERSHIP
 Chartered Valuation Surveyors • Town Planning Consultants
 Number One, The Drive, Great Warley,
 Brentwood, Essex CM13 3DJ
 Tel: (01277) 224664 Fax: (01277) 215487
 Email: service@jtspartnership.co.uk
Trading as a Limited Liability Partnership Registered in England & Wales Registration No: 01297263

Site
 54 - 55 Birkenhead Street
 Kings Cross
 London WC1

Drawing Title
 Proposed New Door Details

Drawn by KAD	Checked by JWG	Signed by
-----------------	-------------------	-----------

Date January 2014	Scale 1:1 / 1:2 / 1:10	@A1
----------------------	---------------------------	-----

Drawing Number
JTS/IOLM/Kingscross/PR10