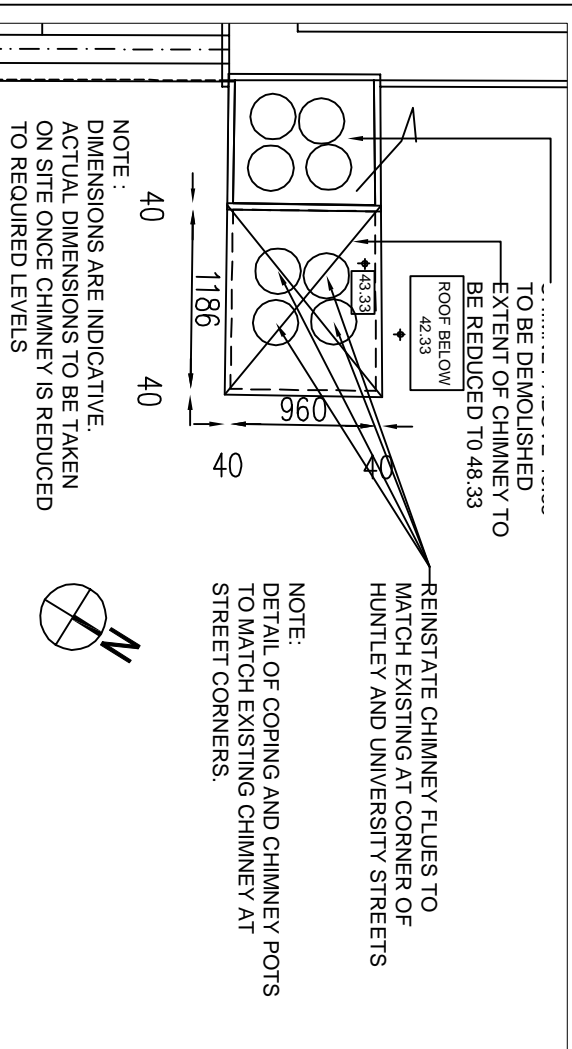


SOUTH ELEVATION OF AFFECTED CHIMNEY Scale 1:50



PLAN OF AFFECTED CHIMNEY Scale 1:50

DO NOT SCALE FROM THIS DRAWING, WORK ONLY FROM FIGURED DIMENSIONS.
ALL ERRORS AND OMISSIONS TO BE REPORTED TO THE ARCHITECT.

THIS DRAWING TO BE READ IN CONJUNCTION WITH RELEVANT CONSULTANT'S DRAWINGS.

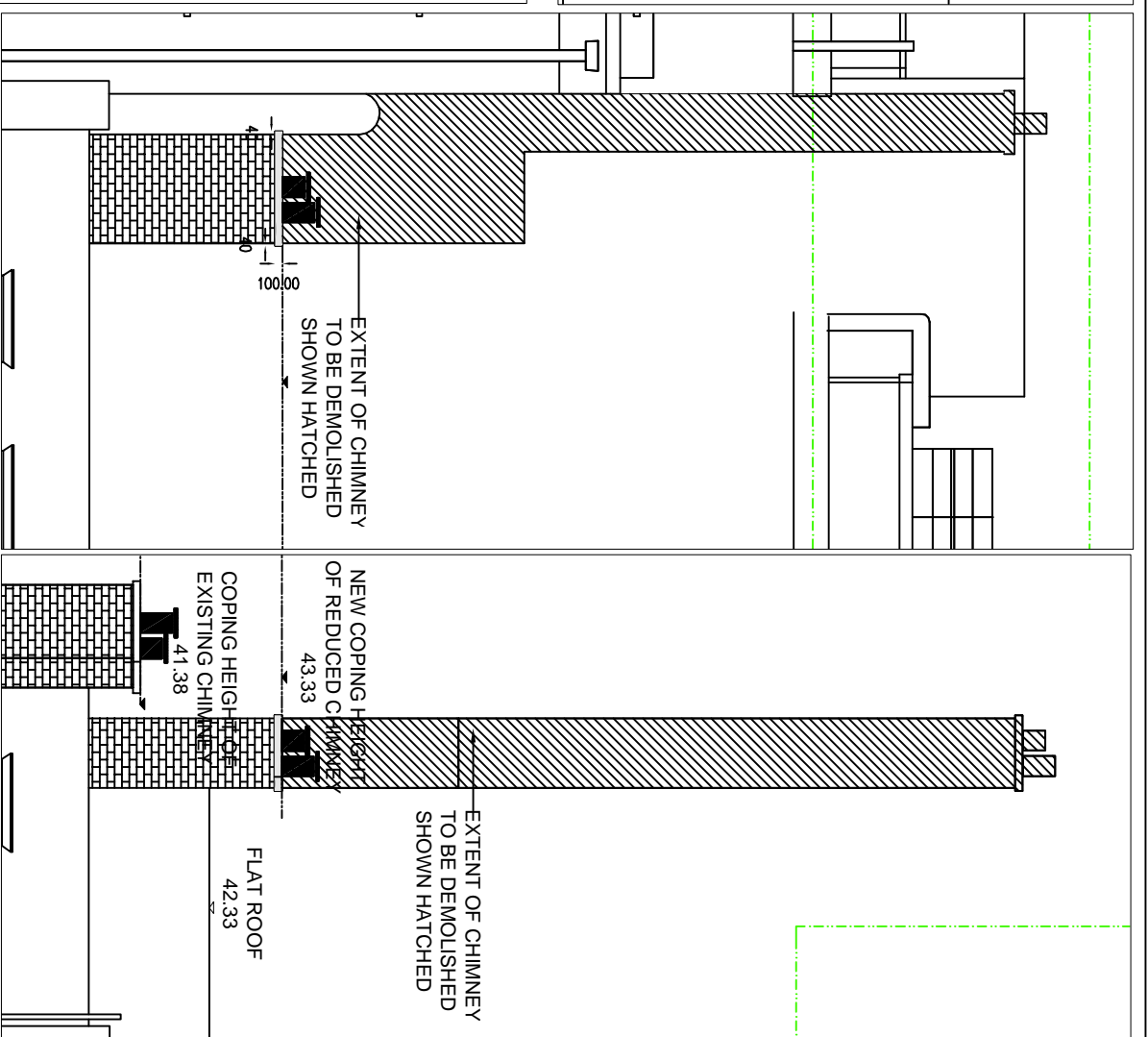
OFFICE USE:

PAGE SETUP: ----- SHEET SET: ###

PLOT SCALE: 1:1 STYLE TABLE: Monochrome.ctb

MOD. TIME: 9/30/2014 6:11:45 PM PLOT DEVICE: PDF Complete

PLOT TIME: 9/30/2014 6:17:07 PM MOD. BY: Francois Smith



(PART) SOUTH ELEVATION Scale 1:100

(PART) EAST ELEVATION Scale 1:100

Scott Tallon Walker Architects

10 Cromwell Place, South Kensington, SW7 2JN

Tel +44 20 75894949

CLIENT UCLH	DRAWING DETAIL OF	PROJ. NO.	ISSUE
PROJECT UCLH PHASE 4	PROPOSED REDUCED CHIMNEY AT JEREMY BENTHAM PUB	TYPE	DWG. NO.
SITE JEREMY BENTHAM PUB / ROSENHEIM	SCALE 1:200	PROJ. NO.	ISSUE
		12046-PLA-JB-002	P1

@A4

london@swaarchitects.com www.swaarchitects.com