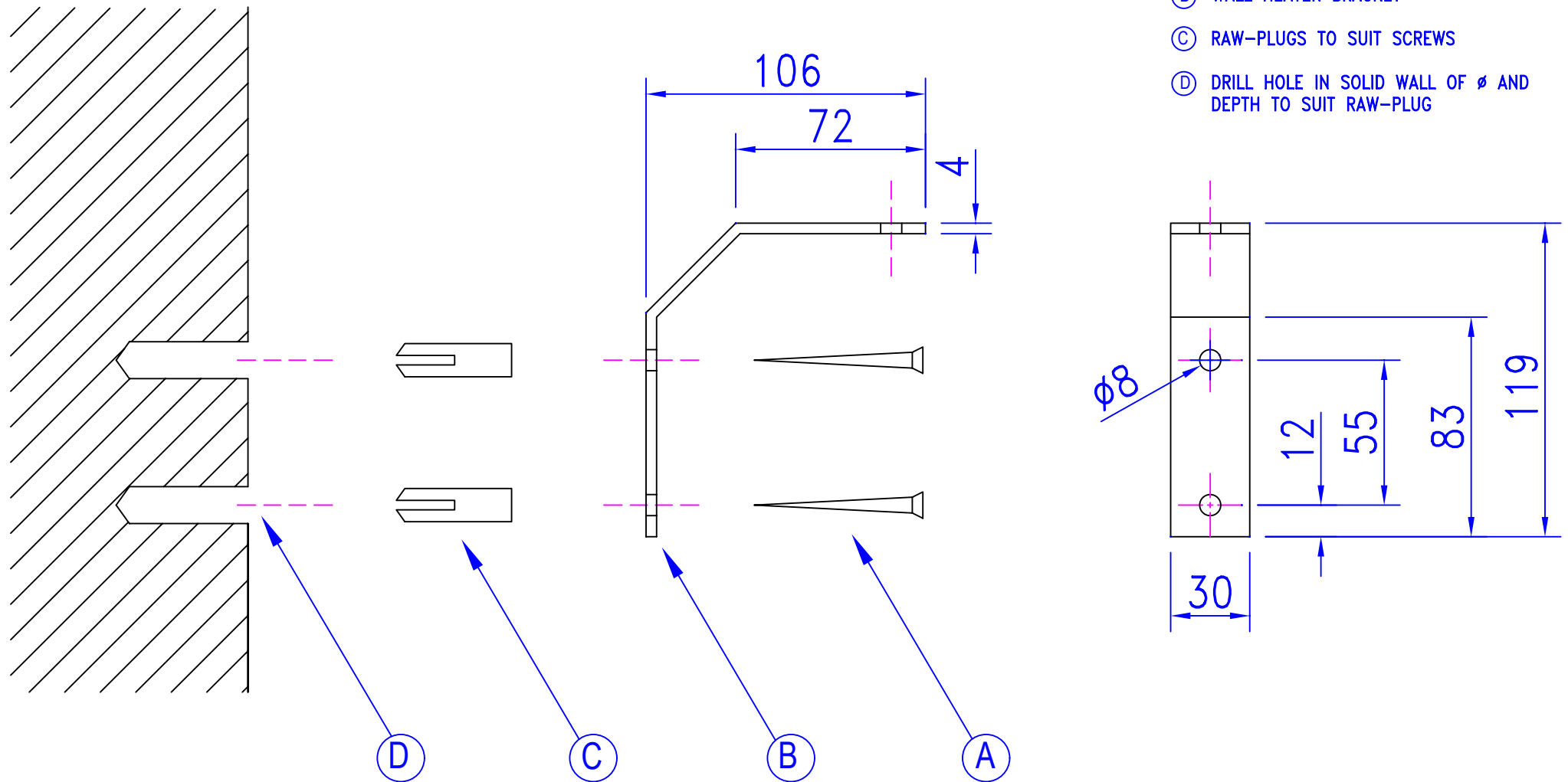



- (A) No. 10x1.5" CSK SCREWS OR SIMILAR
- (B) WALL HEATER BRACKET
- (C) RAW-PLUGS TO SUIT SCREWS
- (D) DRILL HOLE IN SOLID WALL OF ϕ AND DEPTH TO SUIT RAW-PLUG



ISSUE	MOD No	DATE	IF IN DOUBT ASK	SHEET 1 OF 1	No. OFF	SCALE: NTS	GEN TOL ± 1 mm, DEC TOL ± 0.5 MM	MATERIAL: MILD STEEL
					DATE: 17/7/00	DRAWN BY: SRB	APPROVED:	FINISH: POWDER COAT
 <p>A&E LEISURE LTD 9 CRADOCK ROAD READING RG2 0JT TEL 0118 9230300 FAX 0118 9230349</p>								DRG NO. --
TITLE: WALL HEATER INSTALLATION INSTRUCTIONS AND TECHNICAL DETAILS								