

Confirmation of Survey



Customer: AHUJA

Address: 19
BRACKENELL Gdns
HAMRSTEAD
LONDON
NW3 7EF

Contact Number: 2436004

Survey Date: 10-9-2014

Surveyor's Name: COLIN RAMSEY

BEFORE MANUFACTURING
* (CAMDEN CONSERVATION AREA) *

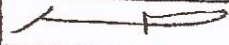
I agree that SEHBAC's Surveyor has confirmed every detail on the order form with me. It is the order that I have signed and it is specified correctly. * REF. E-MAIL EXCHANGE DATED 01 SEP'14 WITH STUART WRIGHT (ATTACHED) *

I confirm that there are no other verbal agreements made between me and the SEHBAC's Representative in respect of this order, which are not shown on the order form. * REF. EMAIL EXCHANGE DATED 01 SEP'14 WITH STUART WRIGHT (ATTACHED) *

I accept the alterations to my order as listed below, subject to my agreement to any price changes

Variations to the contract:	
1	MAJESTIC FLUSH TIMBER WINDOWS &
2	TIMBER SASH - (SLIDING SASH) WEIGHTS & PULLEYS.
3	WHITE TIMBER PROFILE INSIDE & OUTSIDE
4	CLEAR GLASS EXCEPT ENSUITE WHICH
5	WILL HAVE OPTIFLOAT OPAL
6	BRUSHED CHROME FIXTURES (HANDLES)
7	GEORGIAN AUTHENTIC BARS
8	LEAVE LINERS & ARCS IN SITU.
9	LEAVE WINDOW BOARDS IN SITU.
10	KITCHEN BAY WILL BE MADE AS SEPERATE ITEMS TO FORM A 5 PIECE BAY (SEGMENT)

* CONSERVATION AREA *

Page 2 of Site Survey Sheet			
Contract No	2436004	Installation Address	FIRST FLOOR 19 BRACKENELL Gdns
Customers Name	AHUJA	HAMSTEAD LONDON NW3 7EE	
Surveyor	COLIN RAMSEY	Installation Tel No	0
Signature			
Conservation Area	SEE PAPERWORK	YES	
Planning Permission Required		Listed Building	/
		Building Regs	/

SEE
DRAWINGS

X

X

X

Max working height (Mtrs)	7	Photos required of each elevation showing:	
SWAB	YES	possible asbestos issues, service connections and possible access equipment SWAB	
Can 1st floor frames be taken through the inside of the building	YES	Existing permanent ventilation in windows	N
Possible asbestos present in surrounding area	N	External Boiler Flue outlet: note location	N
Possible asbestos present in product being removed and sample taken	N	Condition externally	Green
Cuttering	Downpipe	Soffit	Insulating Board
		Obstructions	
Detail of overhead cables, other services present or obstructions		CONSERVATION AREA (CAMDEN)	
<small>If existing egress in habitable rooms (above ground floor) is less than 450mm please note measurement</small>			
Notes	Timber frames to come out Poly take out & fit one by one. See drawings for trimming instructions Leave window boards - liners & arcs inside.		

* HEAVY WINDOWS
MAY REQ SASH'S TAKEN OUT *
IN ORDER TO LIFT

CONSERVATION AREA (CAMDEN)

Site Survey Sheet

Contract Ref **2436004**

Customer Name **AMUJA**

Installation Address **19 BRACKENELL Gdns
HAMPSTEAD
NW3 7EE**

House Finish **LACE SPICK**

Surveyor **COUN RAMSEY**

Survey Date **10-9-2014**

Installation Address contact number

Parking Restrictions **RESIDENT
PARKING
SEE CUSTOMER**

Item numbers	Window boards	W/B Colour	Frame Ext & location	Restrictors
N/A	Not Required	Not Required	Not Required	Not Required
	Not Required	Not Required	Not Required	Not Required
	Not Required	Not Required	Not Required	Not Required
	Not Required	Not Required	Not Required	Not Required
	Not Required	Not Required	Not Required	Not Required
	Not Required	Not Required	Not Required	Not Required
	Not Required	Not Required	Not Required	Not Required
	Not Required	Not Required	Not Required	Not Required
	Not Required	Not Required	Not Required	Not Required
	Not Required	Not Required	Not Required	Not Required
	Not Required	Not Required	Not Required	Not Required

Installation notes - please specify any customer responsibilities that you have discussed i.e alarms etc.

4x2 = 6m
18mm ply 20m

SKUBAC

2436004

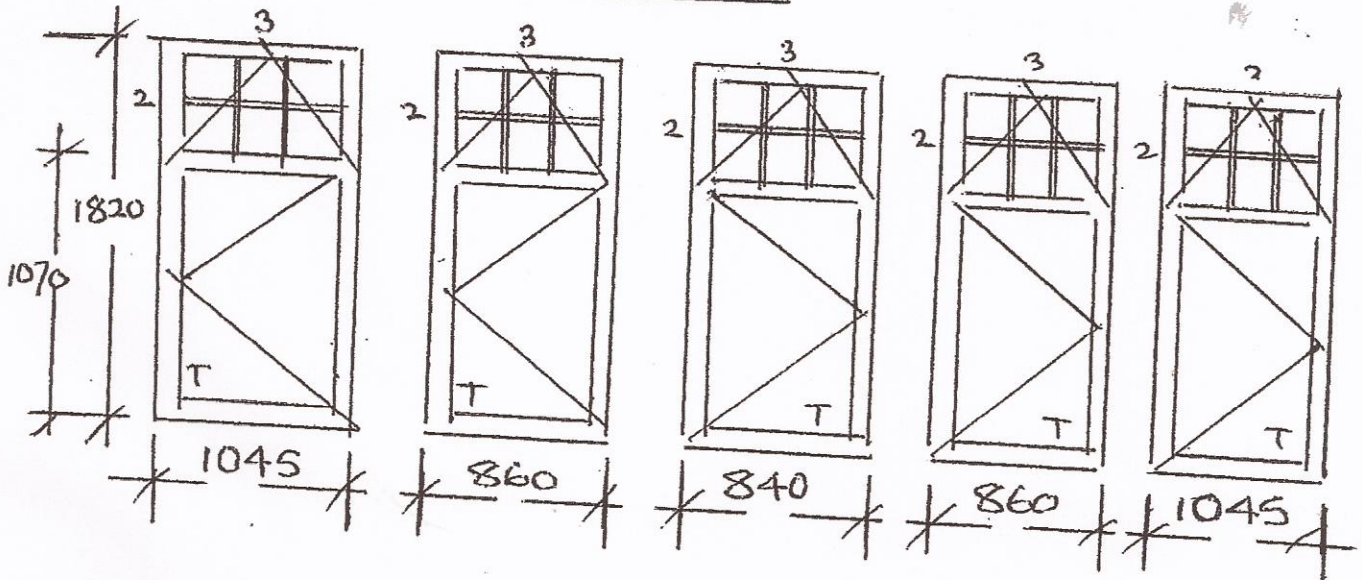
(1a)

AHUTA

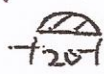
MAJESTIC FLUSH

WHITE INSIDE & OUTSIDE

KITCHEN



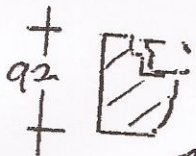
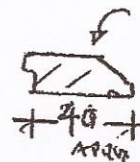
CORNER BAR



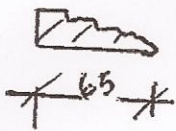
8m dia



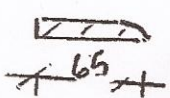
10m



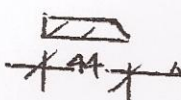
FRAME FLUSH SASH



DRIVE 10m



5m



16m

CONSERVATION AREA

All WHITE Profiles

HANDLE — BRUSHED

CHROME

Clear Glass —

FLUSH LILL'S

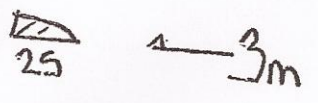
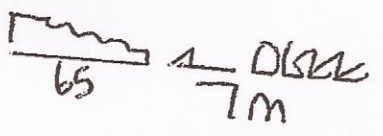
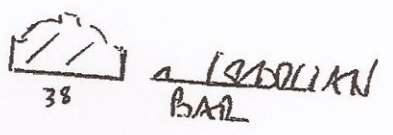
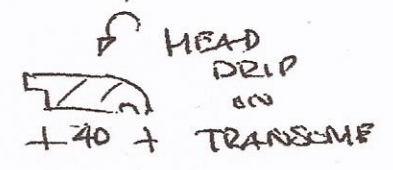
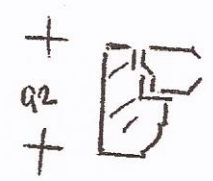
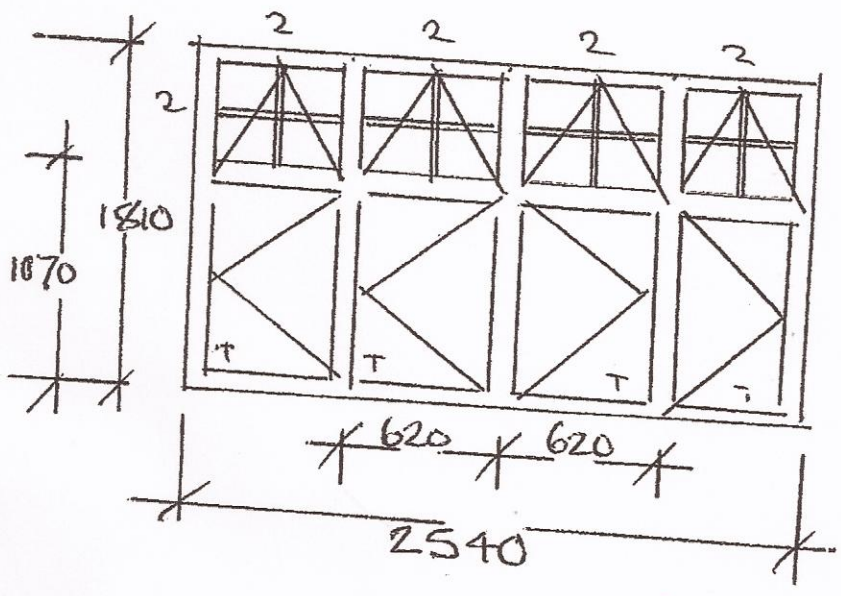
40mm HORNS TO LILL'S

②a) SIBBAE

2436004

ANUJA

MAJESTIC FLUSH
W/TK INSIDE & OUTSIDE
LOUNGE



CONSERVATION AREA

ALL WHITE PROFILE
 HANDLE — BRUSHED CHROME
 CLEAR GLASS —
 FLUSH LILLS

SEMBAC

2436004

(3) a

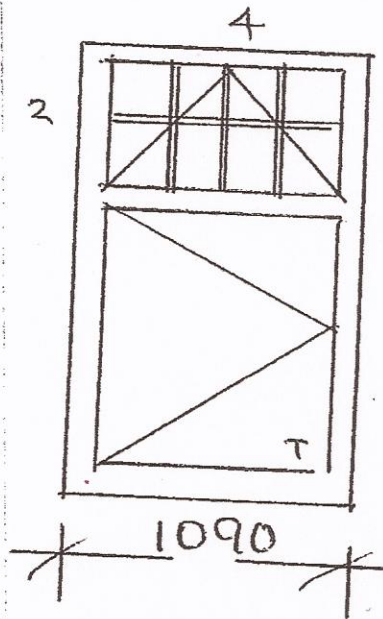
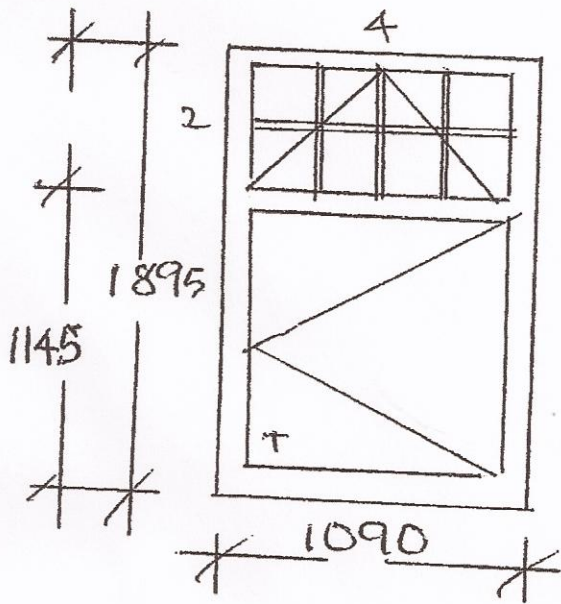
ANITA

MAJESTIC FLUSH

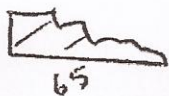
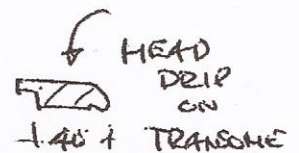
WORK INSIDE & OUTSIDE

Bed 1

x 2 WINDOWS



SAME



10m



3m

CONSERVATION AREA
ALL WHITE PROFILE

HANDLES BRUSHED
— CHROME

CLEAR GLASS

FLUSH LILL'S

SUMBAC

2436004

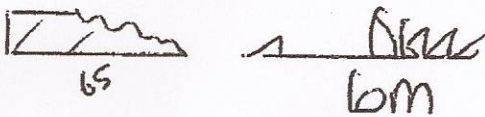
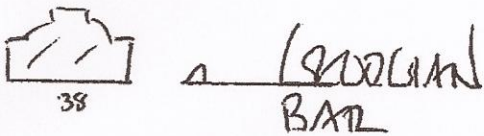
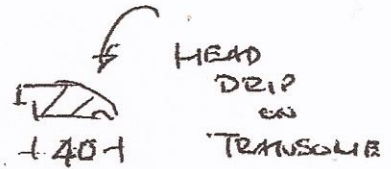
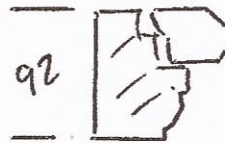
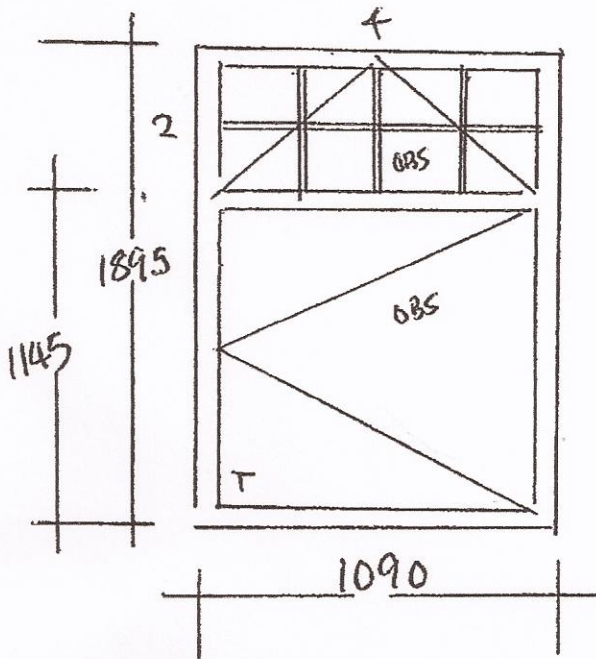
(4) (a)

ANUJA

MAJESTIC FLUSH

WHITE INSIDE & OUTSIDE

ENGLITE



CONSERVATION AREA

ALL WHITE PITCH

HANDLES BRUSH CHROME

OPTIFLOAT ORAL
GRASS TILE

FLUSH LILL'S

SUMBAC

2436004

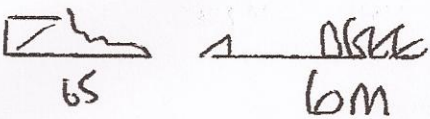
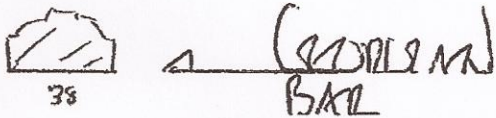
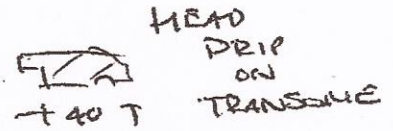
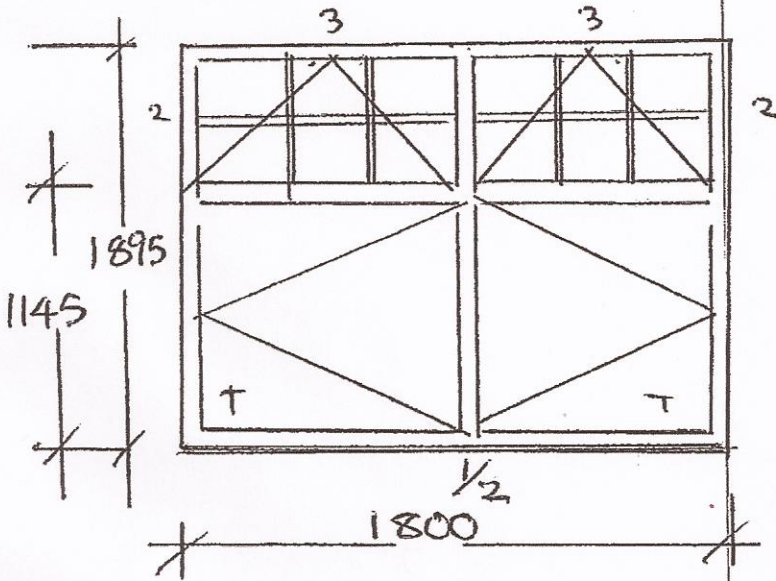
50

ANITA

MARBLE FLUSH
WHITE INSIDE & OUTSIDE

BED 2

BACK



CONSERVATION AREA
 ALL WHITE PAVING
 HANDLES BRUSH
 CHROME
 CLEAR GLASS
 FLUSH LILL'S

SUMBAL

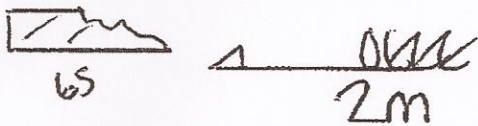
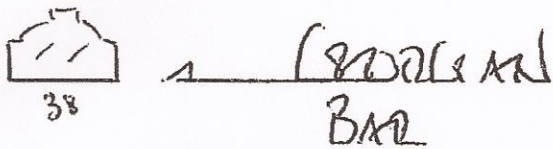
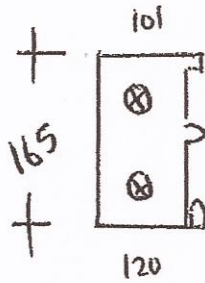
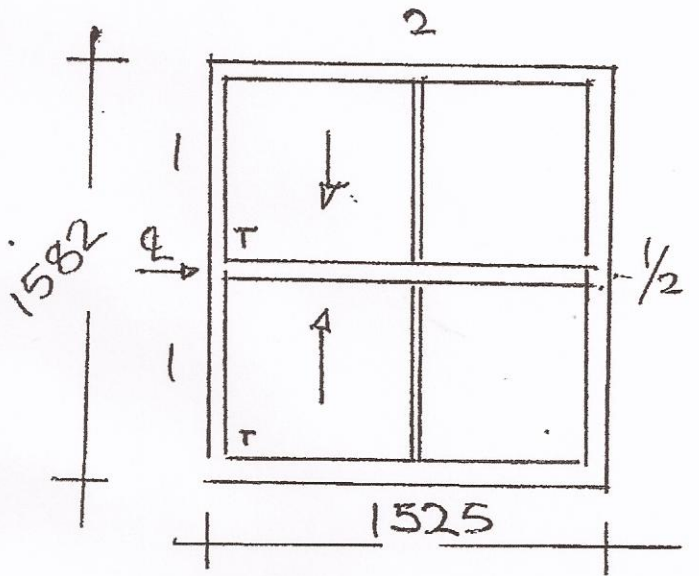
2436004

ANUJA

(C) (a)

WINDOWS & PULLYS
WHITE INSIDE & OUTSIDE

OFFICE



CONSERVATION AREA

ALL WHITE PROFILE

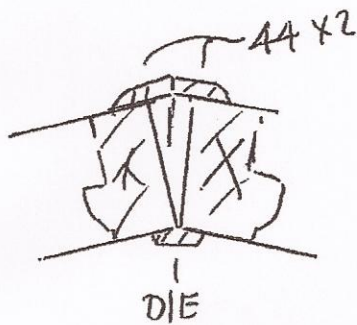
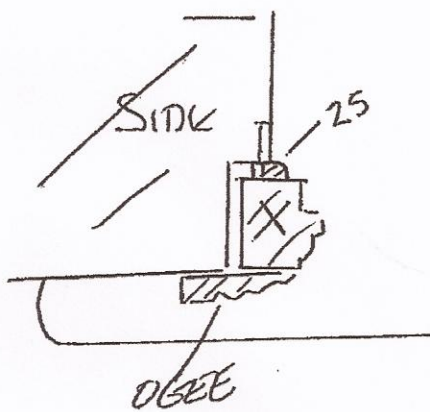
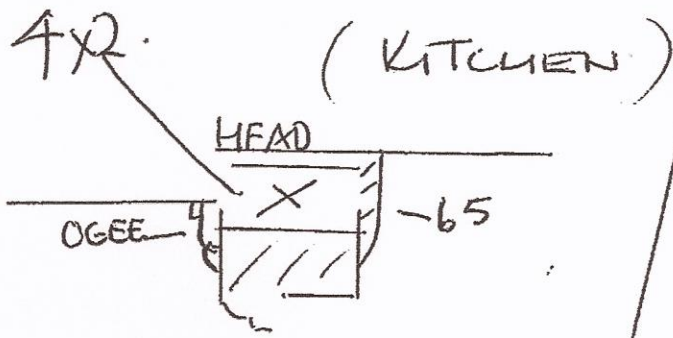
HANDLES
FURNITURE BRUSHED
CHROME

CLEAR GLASS

FLUSH LILLS

①⑧ AHUJA

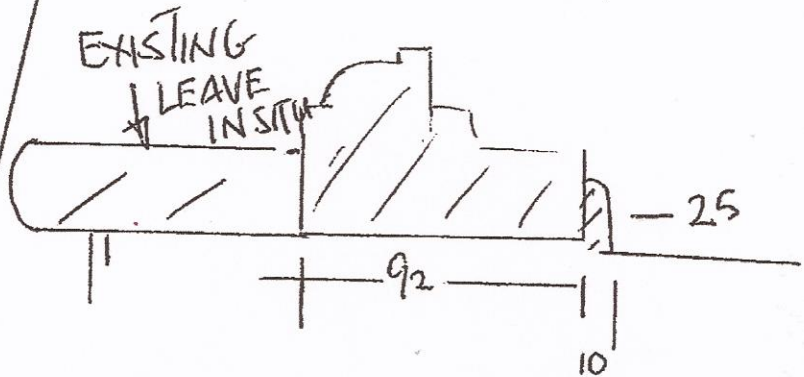
2436004



BAY



* SEGMENTS TO FORM BAY SITUATION



CUT HORNS TO SUIT ANGLE

REPLACE ONE SEGMENT AT A TIME ON BAY

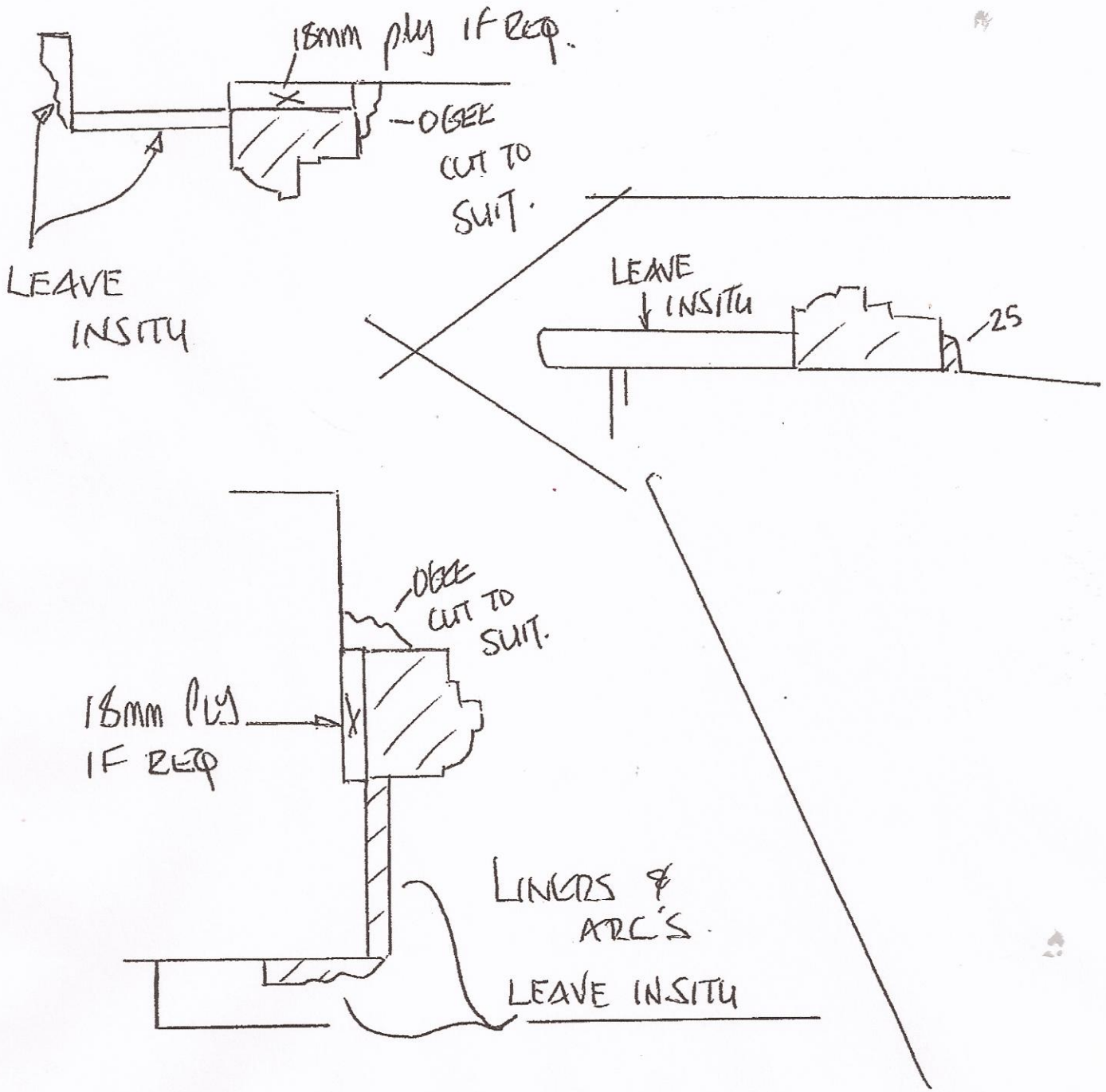
TAKE 4x2 w 6m
TAKE 18mm PLY 12m

VERY LARGE BAY 1ST FLOOR

②⑥ ANUITA

2436004

LOUNGE



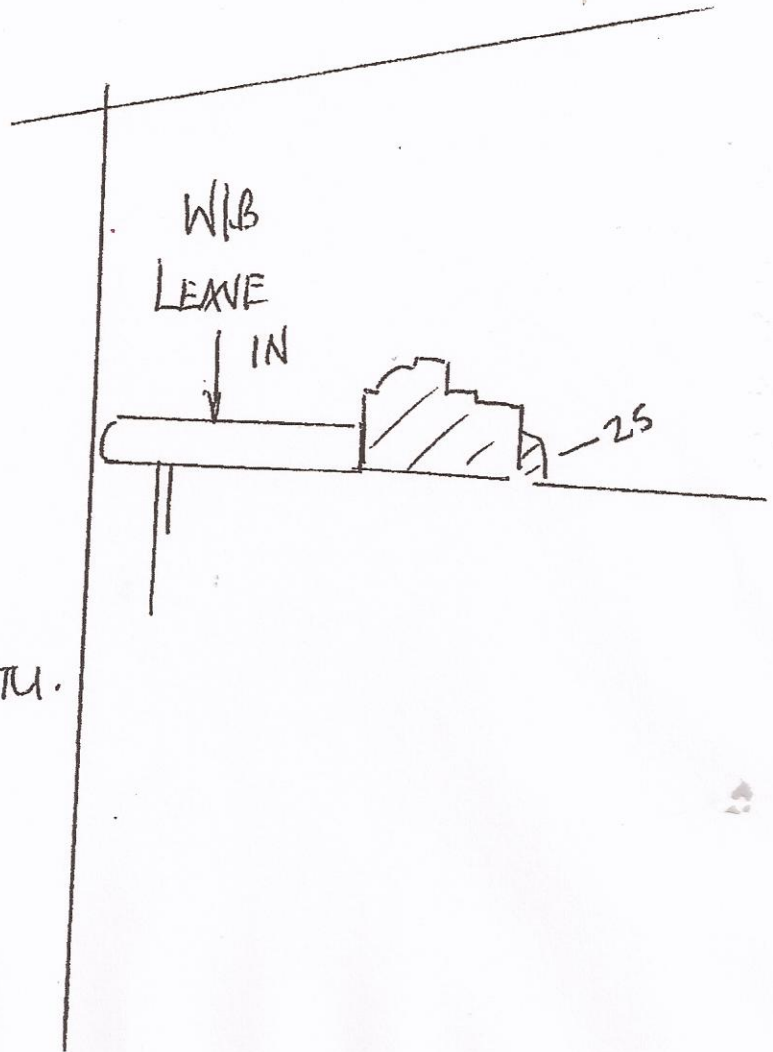
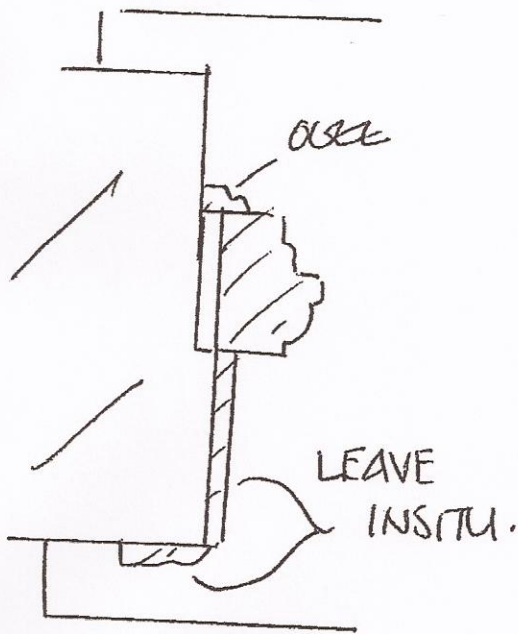
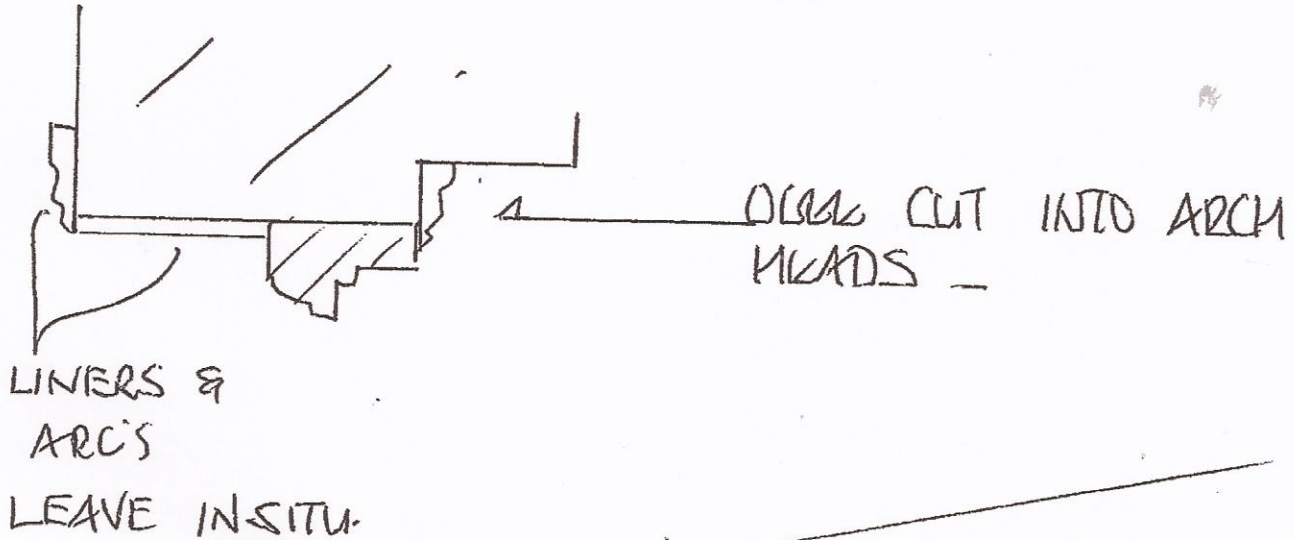
AMUJA

2436004

3B

Bed & KNSUITK + BACK BED

4x WINDOWS



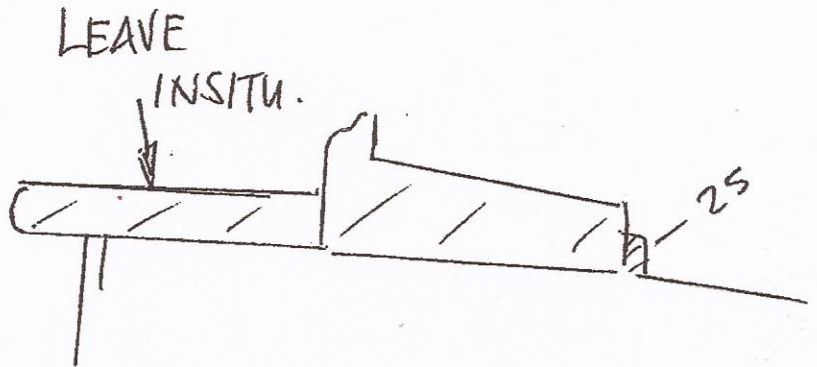
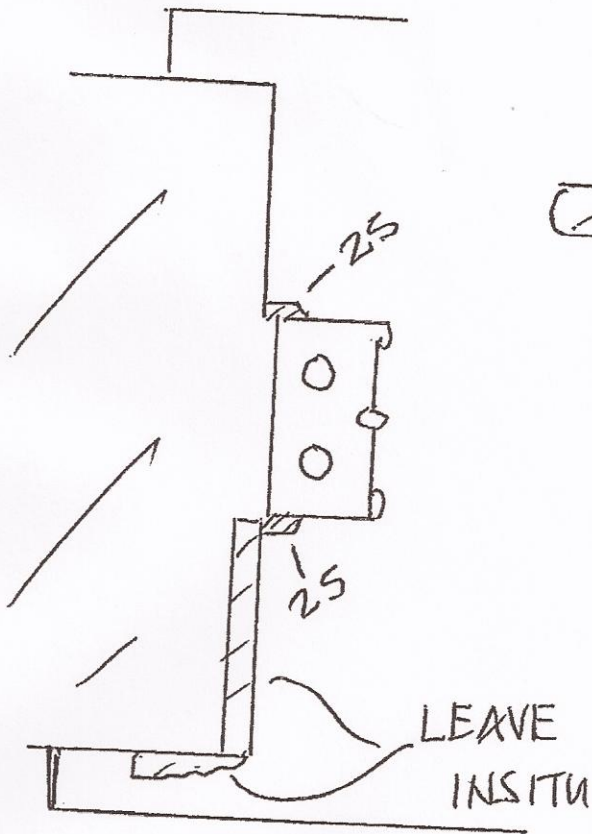
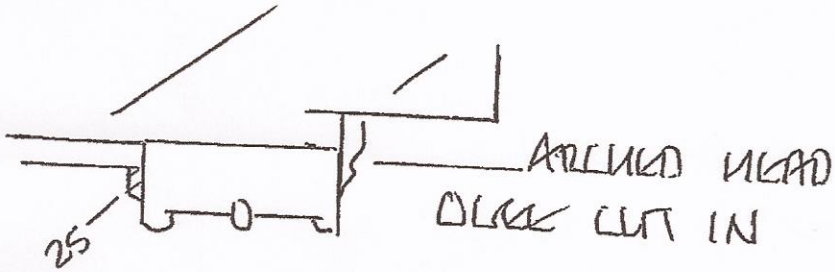
AMUTA

2436004

④Ⓑ

OFFICE

Box SASH
WINDOW



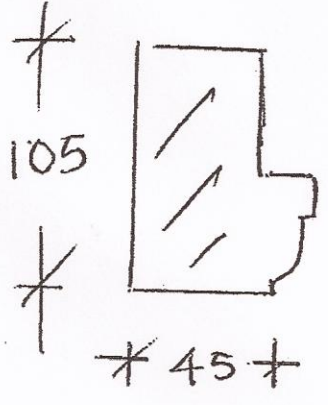
LEAVE WINDOW BOARD INSITU.

TAKE SASHES OUT BEFORE INSTALL
(VGL) WEIGHTS).

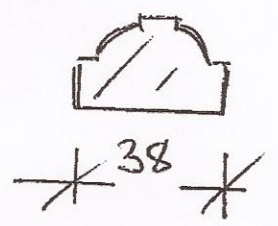
5A AHUTA

2436004

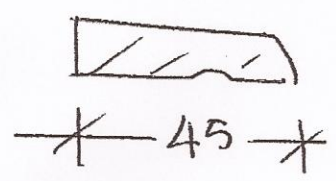
EXISTING



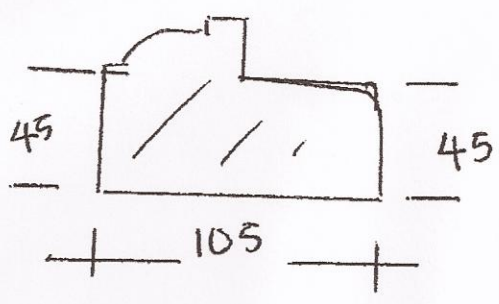
EXISTING
FRAME
TOP & SIDES



GEORGIAN
BARS



TRANSOM
DRIP



CILL'S

BUILDING MATERIALS REQUEST

AMUNTA



CONTRACT REF: 2436004		SURVEYOR:		DATE: 10-9-2014	
DESCRIPTION	QUANTITY	DESCRIPTION	QUANTITY		
Build Sand		Rock wool (100mm- 11m2 per roll)			
Cement		Rock wool (150mm 7m2 per roll)			
Bricks	No: Type:	12mm Celotex Insulation Board			
Finish Plaster		Centerbury star shingle			
Bonding Plaster		Brown stone shingle			
90 degree angle bead		6" Lead		Code:	
Plaster board (2400 x 1200 x 12.5mm)		9" Lead		Code:	
12mm Ply board		12" Lead		Code:	
18mm Ply board		24" Lead		Code:	
18mm Sterling board					
6mm Master board					

TIMBER TRIMS REQUEST

DESCRIPTION	QUANTITY & LENGTH	DESCRIPTION	QUANTITY & LENGTH
13mm Timber Quad L		25 x 30mm Rectangle Packer PK2	
19mm Timber Quad S		35 x 40mm Rectangle Packer PK3	
19mm D Mould P		70 x 15mm Rectangle Packer PK5	
Drip Rail K		70 x 20mm Rectangle Packer PK6	
28mm Architrave M		3" x 2" Tanalised Ember	
44mm Architrave N		190mm Windowboard WB1	
70mm Architrave R		240mm Windowboard WB2	
95mm Architrave T		Threshold Board (State Size)	
20 x 15mm Rectangle Packer PK1			

SPECIAL REQUESTS

Please state clearly sections required (include diagrams where necessary)

For Gallons Brackets state Type and Size

4x2 @ 6m
 18mm ply 20m