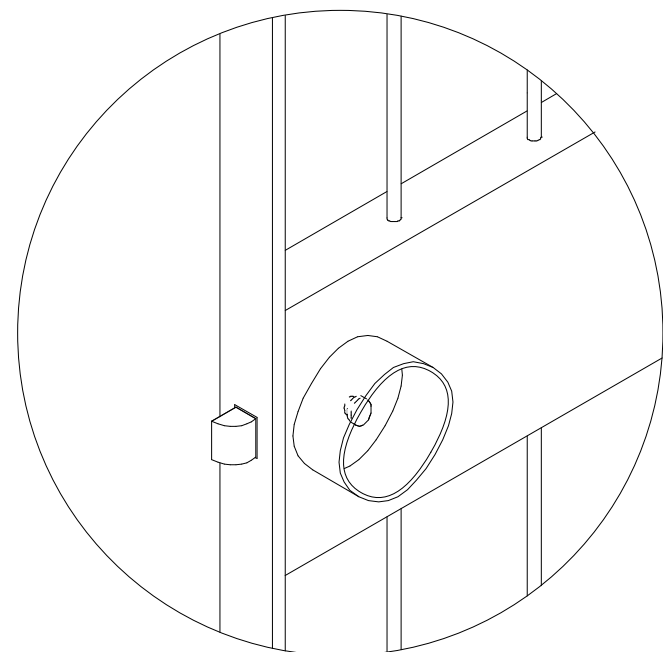
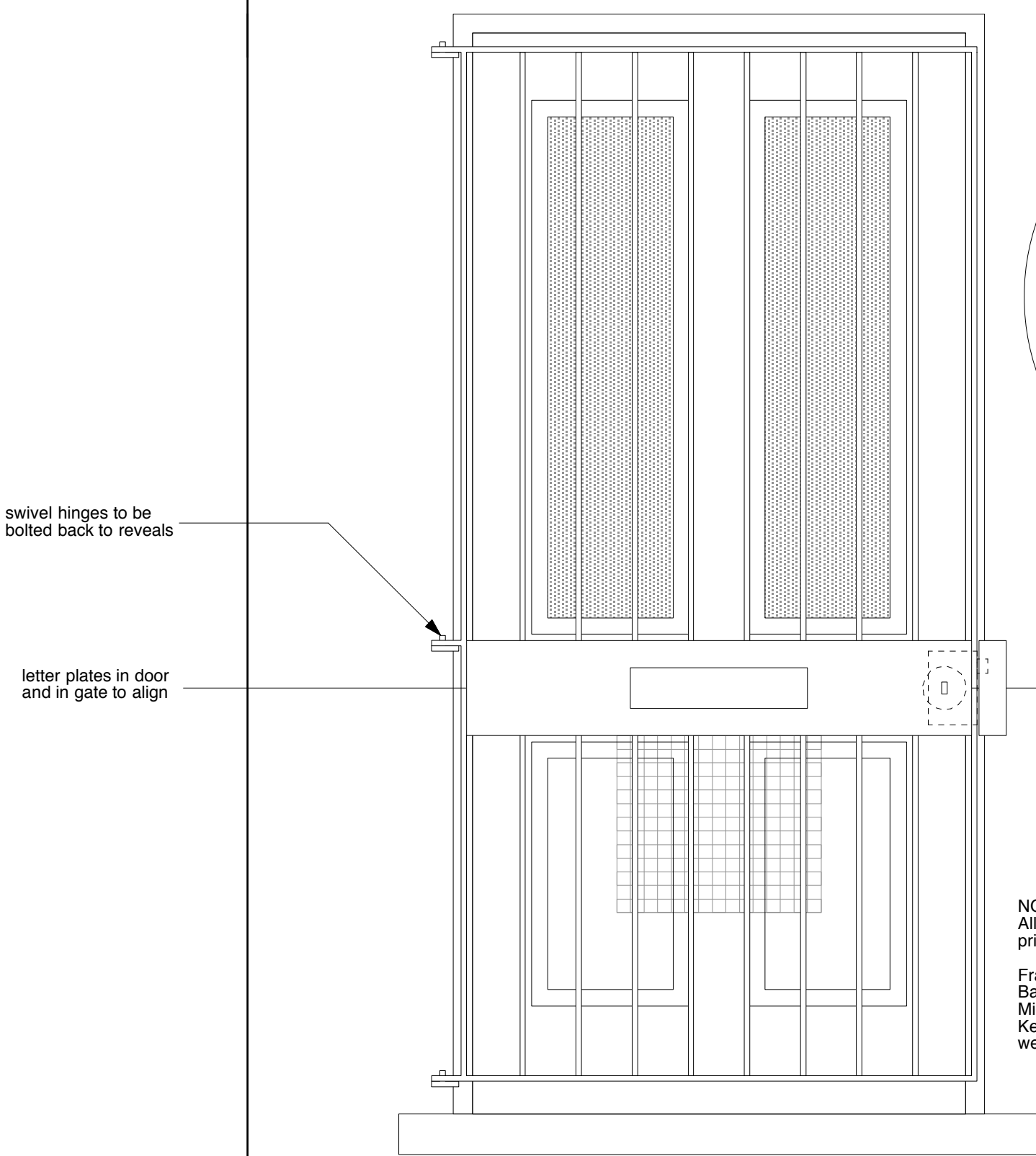


PLAN



DETAIL OF SHIELD TO SNIB @ 1:5  
(TO EXTEND TO 10MM FROM FACE OF DOOR)

5 lever mortice deadlock with snib turn on inside

NOTE:  
All steel sizes to be confirmed with Architect prior to fabrication:  
Frame: ms flat section, approx. 10 x 40mm  
Bars: ms rods, approx. 10mm dia., max. gaps 99mm  
Mid-rail: ms box section, approx 40 x 175mm  
Keep: ms box section, approx. 40 x 70 x 175mm, welded to 10mm flat plate bolted to reveal

EXTERNAL ELEVATION

	PROJECT 5 ARCHITECTURE LLP 8 Waterson Street London E2 8HL T: +44 (0)20 7739 9131 F: +44 (0)20 7739 3687 E: info@p5a.co.uk	job title <b>FREDERICK STREET PORTFOLIO</b>	scale <b>1:10 @ A3</b>	drawn PS	drawing no. <b>6214-FAC-D102</b>
	drawing <b>BASEMENT FRONT DOOR SECURITY GATE</b>	date <b>JULY 2012</b>	checked XX		