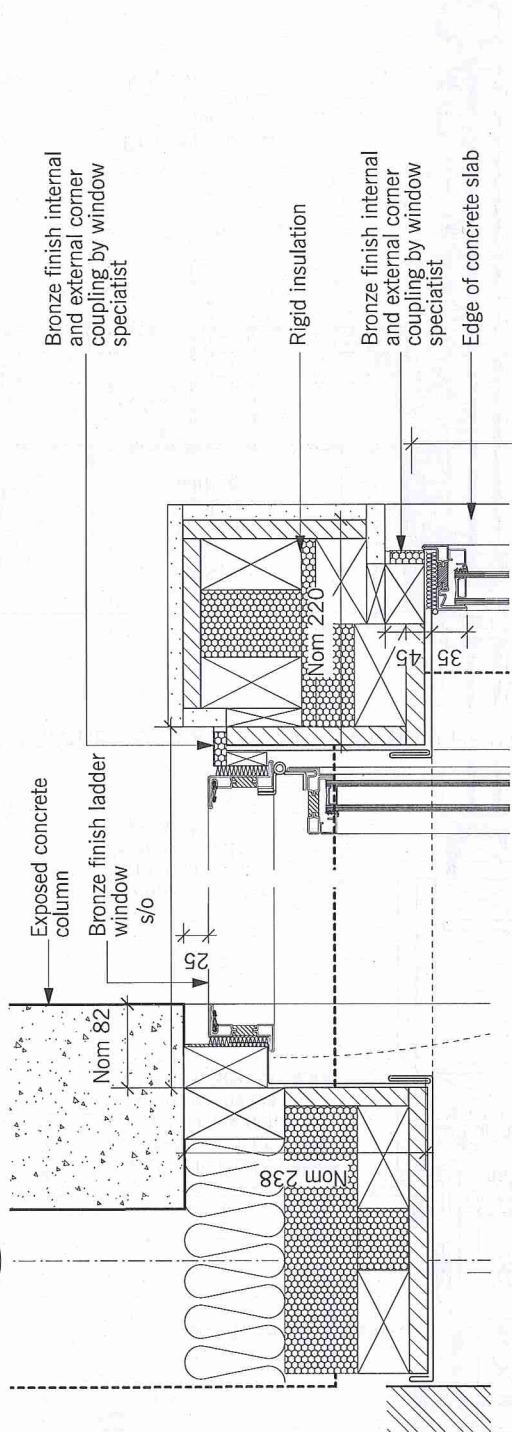
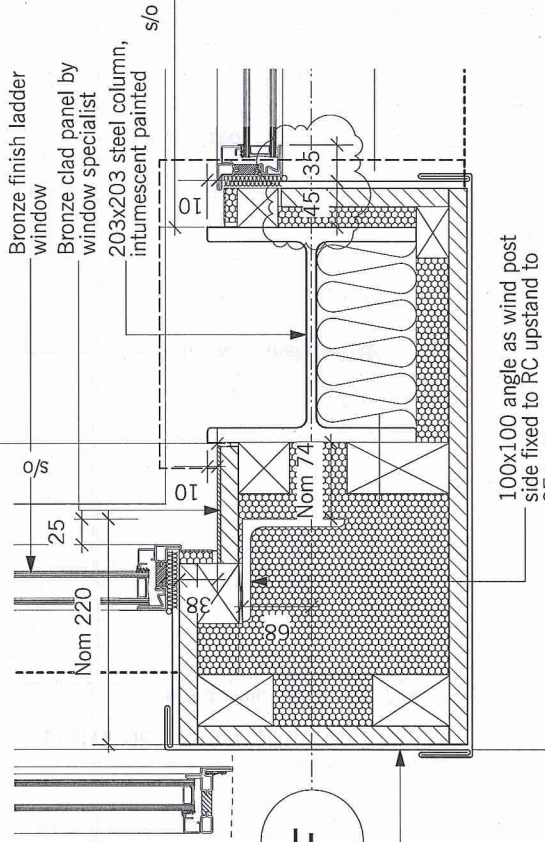


6

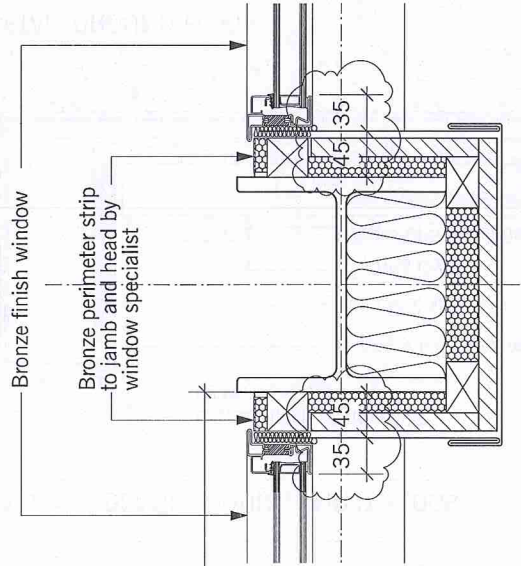


1. END JAMB DETAIL

2. INTERNAL CORNER DETAIL



3. EXTERNAL CORNER DETAIL

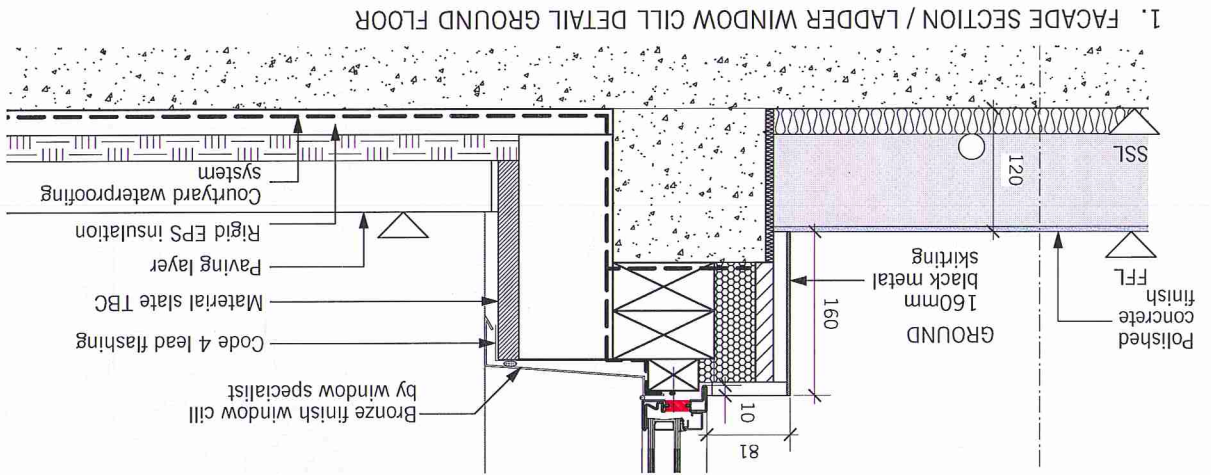


4. TYPICAL JAMB / STEEL COLUMN DETAIL

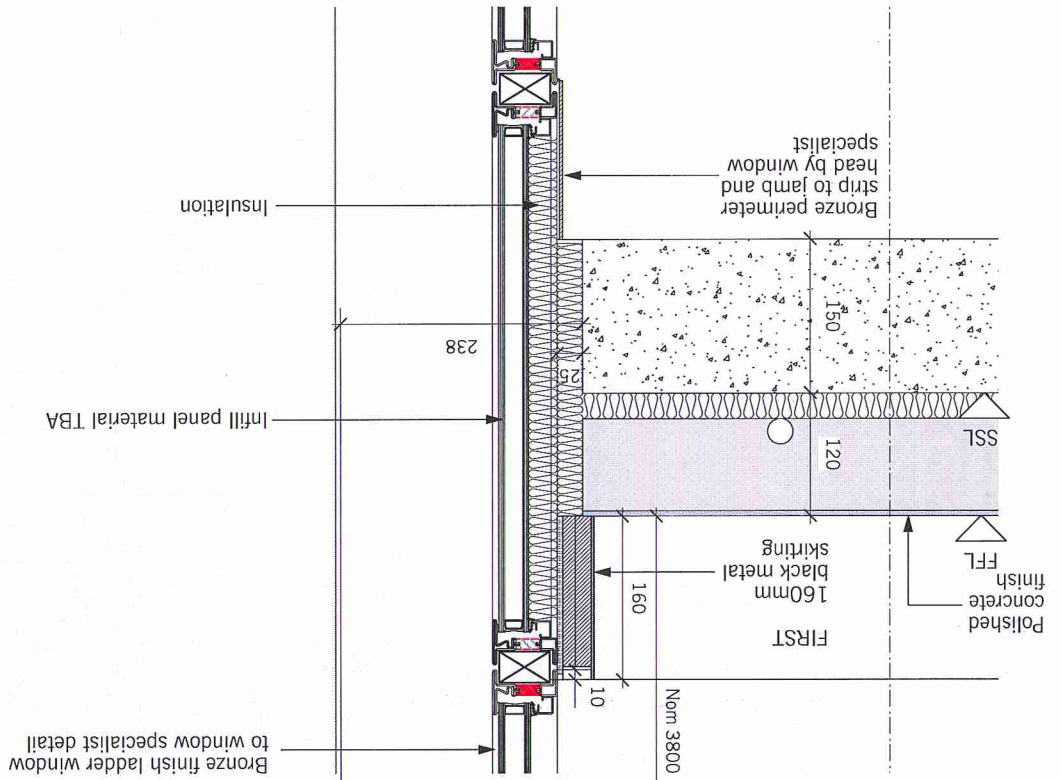
F
Copper cladding to cladding specialist's details

GENERAL NOTES:
DO NOT SCALE THE DRAWING.
DO NOT SCALE THE DRAWING.
DO NOT SCALE THE DRAWING.
DO NOT SCALE THE DRAWING.
DO NOT SCALE THE DRAWING.
DO NOT SCALE THE DRAWING.
DO NOT SCALE THE DRAWING.
DO NOT SCALE THE DRAWING.

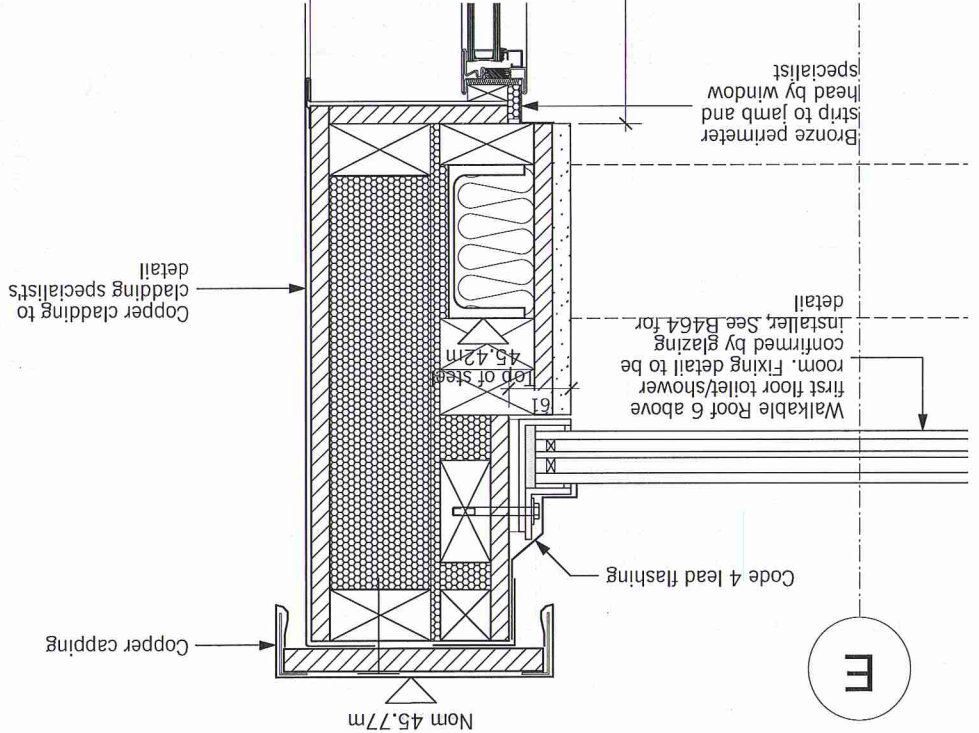
Date	Rev.	By	Description of change	Checked	Issued	PLANNING CONDITIONS
-	-	-	-	-	-	11A SHARPLESHALL STREET + 10 EGLON MEWS LONDON NW1 8YN
-	-	-	-	-	-	
-	-	-	-	-	-	
-	-	-	-	-	-	
-	-	-	-	-	-	



2. FACADE SECTION / LADDER WINDOW HEAD AND CILL DETAIL GROUND / FIRST FLOOR



3. FACADE SECTION / LADDER WINDOW HEAD & ROOFLIGHT DETAIL SECOND FLOOR



DO NOT SCALE THIS DRAWING
 WRITTEN DIMENSIONS ONLY TO BE USED
 ALL DIMENSIONS ARE IN MILLIMETERS
 ALL DIMENSIONS TO BE REFERRED ON SITE
 TO THE DIMENSIONS SHOWN ON THE
 CONSTRUCTION DRAWINGS
 © CHASSAY + LAST ARCHITECTS

GENERAL NOTES:
 1) THE DRAWING IS TO BE USED IN CONJUNCTION WITH THE
 AND DETAILS
 2) THE DRAWING IS INTENDED TO DEFINE THE DESIGN PROFILES
 ON THE CONSTRUCTION DRAWINGS
 3) THE CONTRACTOR SHOULD VERIFY DESIGN PROFILES
 4) THE CONTRACTOR SHOULD VERIFY DESIGN PROFILES

Date	Rev.	By	Description of change	Checked	Author
-	-	-	-	-	-
-	-	-	-	-	-
-	-	-	-	-	-
-	-	-	-	-	-
-	-	-	-	-	-
-	-	-	-	-	-
-	-	-	-	-	-
-	-	-	-	-	-
-	-	-	-	-	-

PLANNING CONDITIONS
 11A SHARPLESHALL STREET +
 10 EGLON Mews
 NW1 8YN

RESIDENTIAL WORK: REACTIVE UNIT, LONDON W1K
 12007 780 700 F: 020 481 7731 BSN: 007 88 7791 email: info@chassaylast.com

COMMERCIAL FACADE SECTION DETAILS: LADDER WINDOW
 CILL & HEAD DETAIL & GLAZED ROOF DETAIL (GROUND FLOOR)

Drawn by: AS
 Checked by: JG
 Date: FEB 13
 Scale: 1:50@A3

CHASSAY + LAST ARCHITECTS
 Founder: MSL / PJ 8285
 Tel: -

1/E174 Existing rendered brickwork

Existing brick arch retained and renovated

New rendered fascia

Black cast iron strap hinge to match existing

New painted timber architrave
New black painted timber doors to match existing

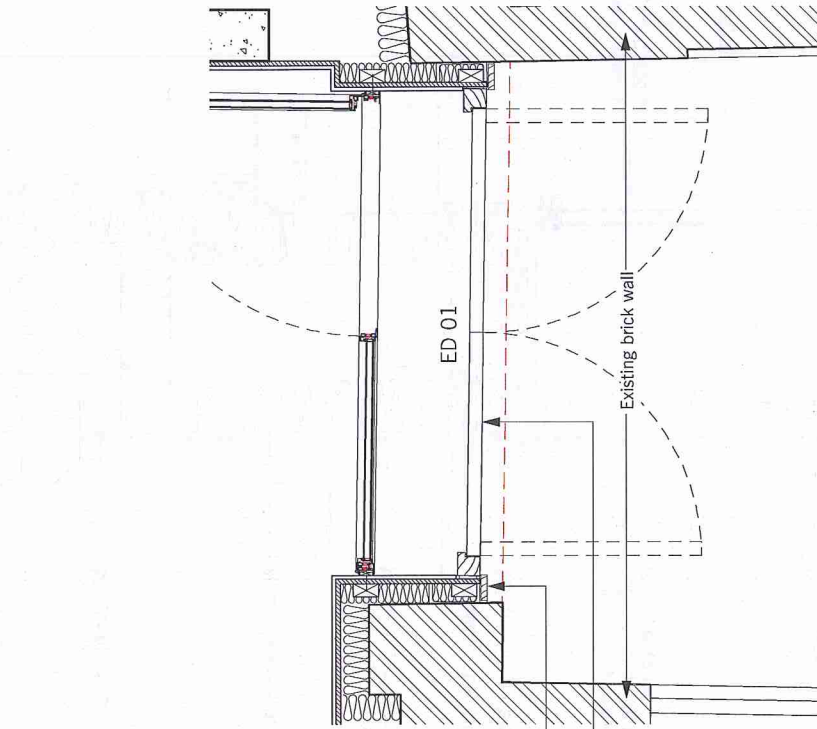
Existing brick wall

4/E174

3/E174

2/E174

ED 01



DO NOT SCALE THIS DRAWING
 WRITTEN DIMENSIONS ONLY TO BE USED
 ALL DIMENSIONS ARE IN MILLIMETRES
 ALL DIMENSIONS TO BE VERIFIED ON SITE
 ANY INCONSISTENCIES TO BE REPORTED
 TO THE ARCHITECT IMMEDIATELY
 © CHASSAY + LAST ARCHITECTS

Date	Rev.	By	Description of change
-	-	-	-
-	-	-	-
-	-	-	-
-	-	-	-
-	-	-	-

Checked	Status	PLANNING CONDITIONS
-	-	11A SHAPPLESHALL STREET + 10 EGLON MEWS LONDON NW1 8YN

Drawn By	Checked By	Date	Scale
JS	JG	AUG.14	1:20@A3

BERKLEY WORKS LONDON NW1 8DY
 0207 486 7700 0207 486 7724 www.chassaylast.co.uk email: info@chassaylast.co.uk

CHASSAY + LAST ARCHITECTS

MSZ/PC/E173

