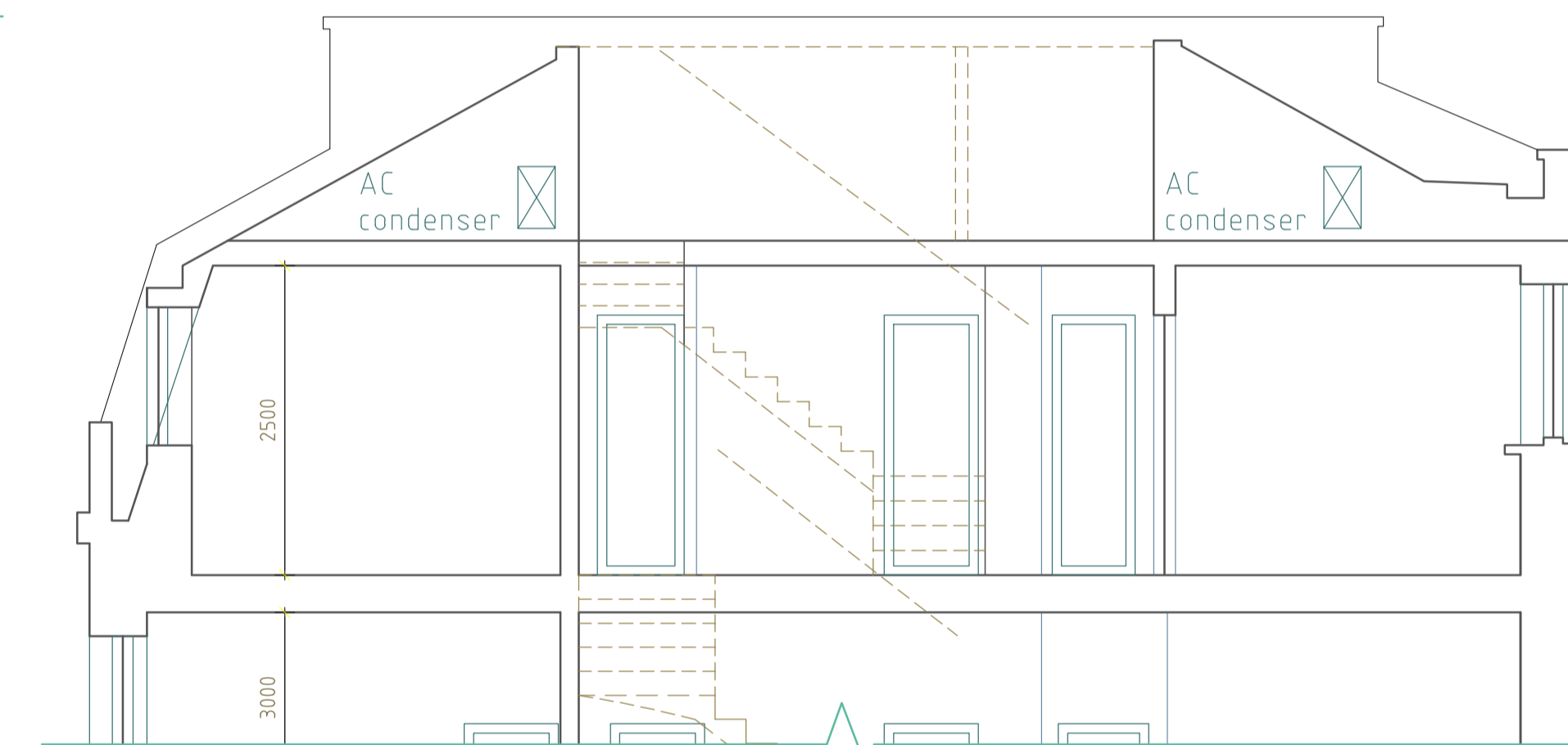
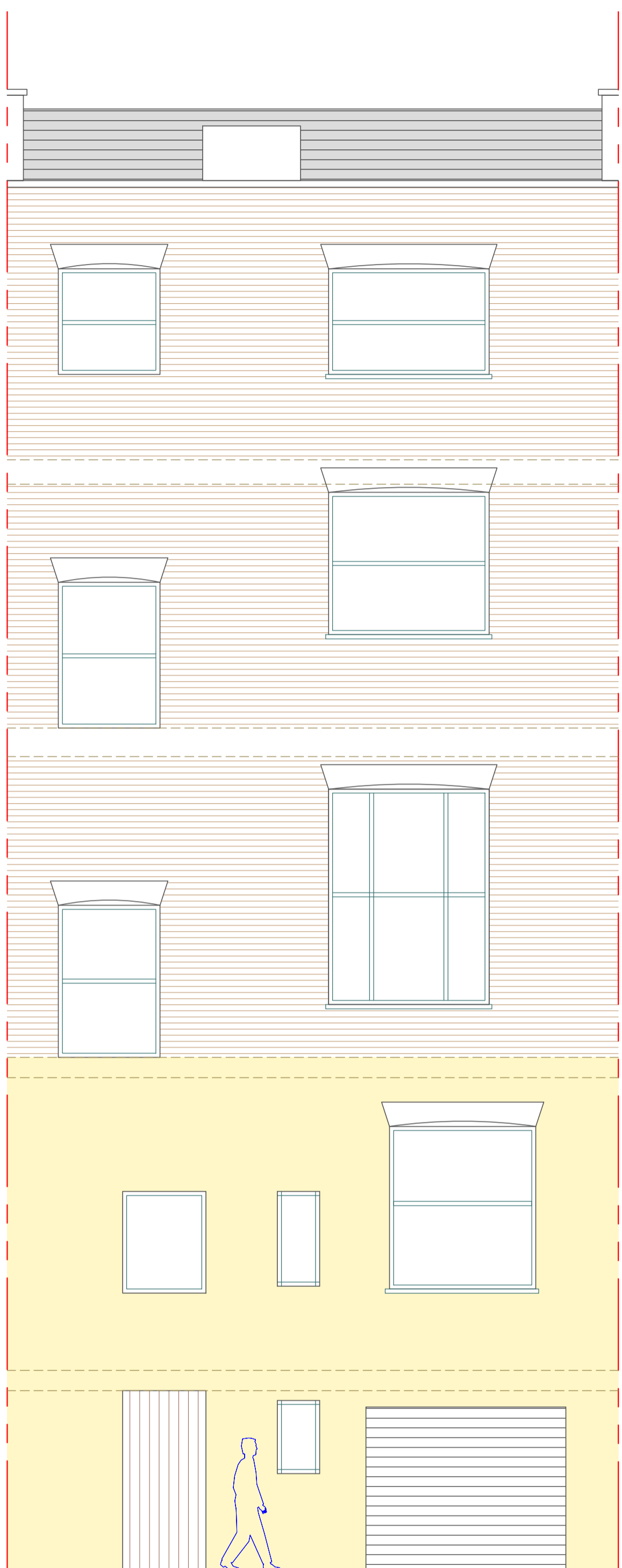


EXISTING SECTION AA' 1:100@A1

SPLIT AIR CONDITIONER UNITS TO BE USED



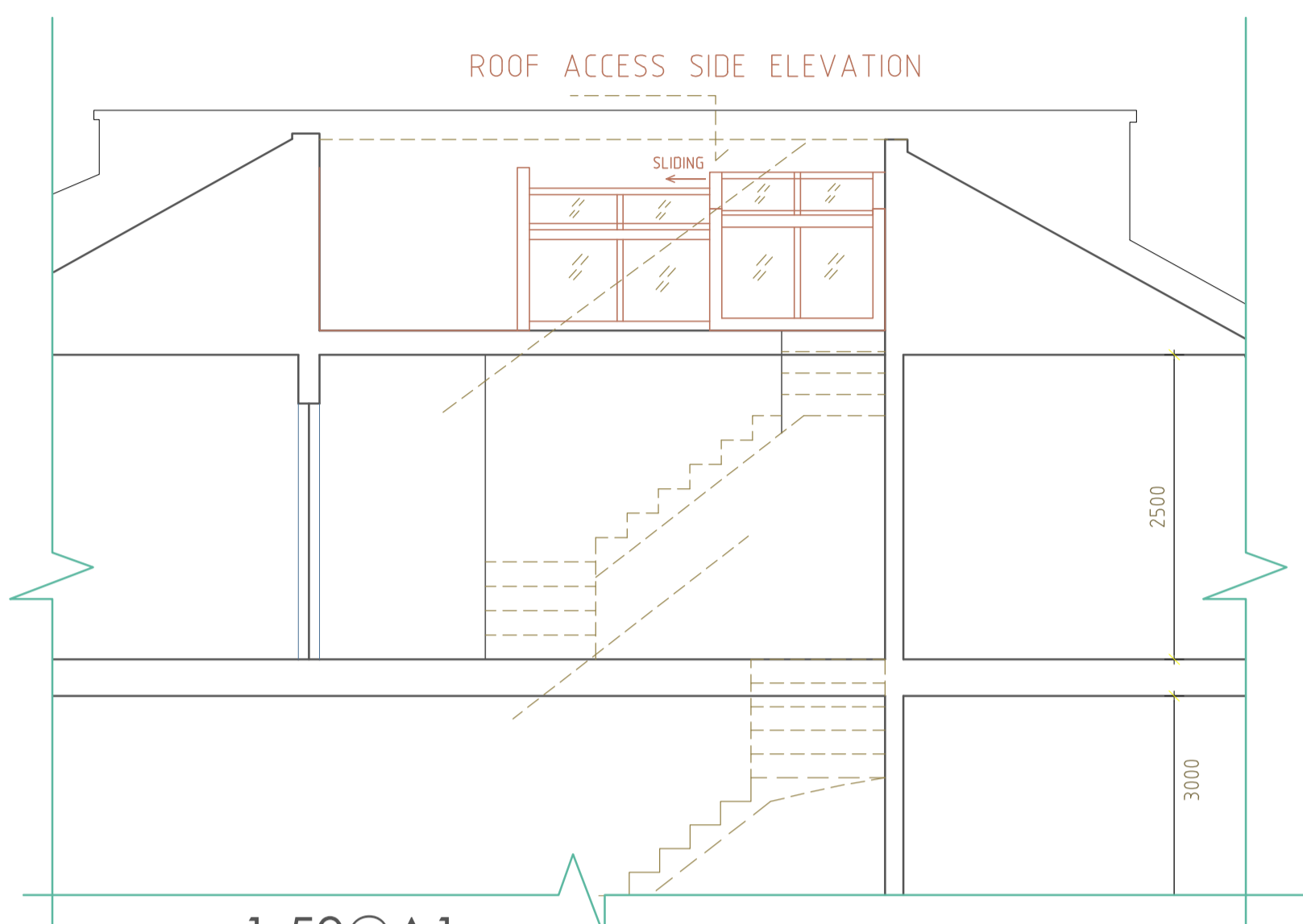
AC CONDENSER UNITS LOCATION (SECTION AA')



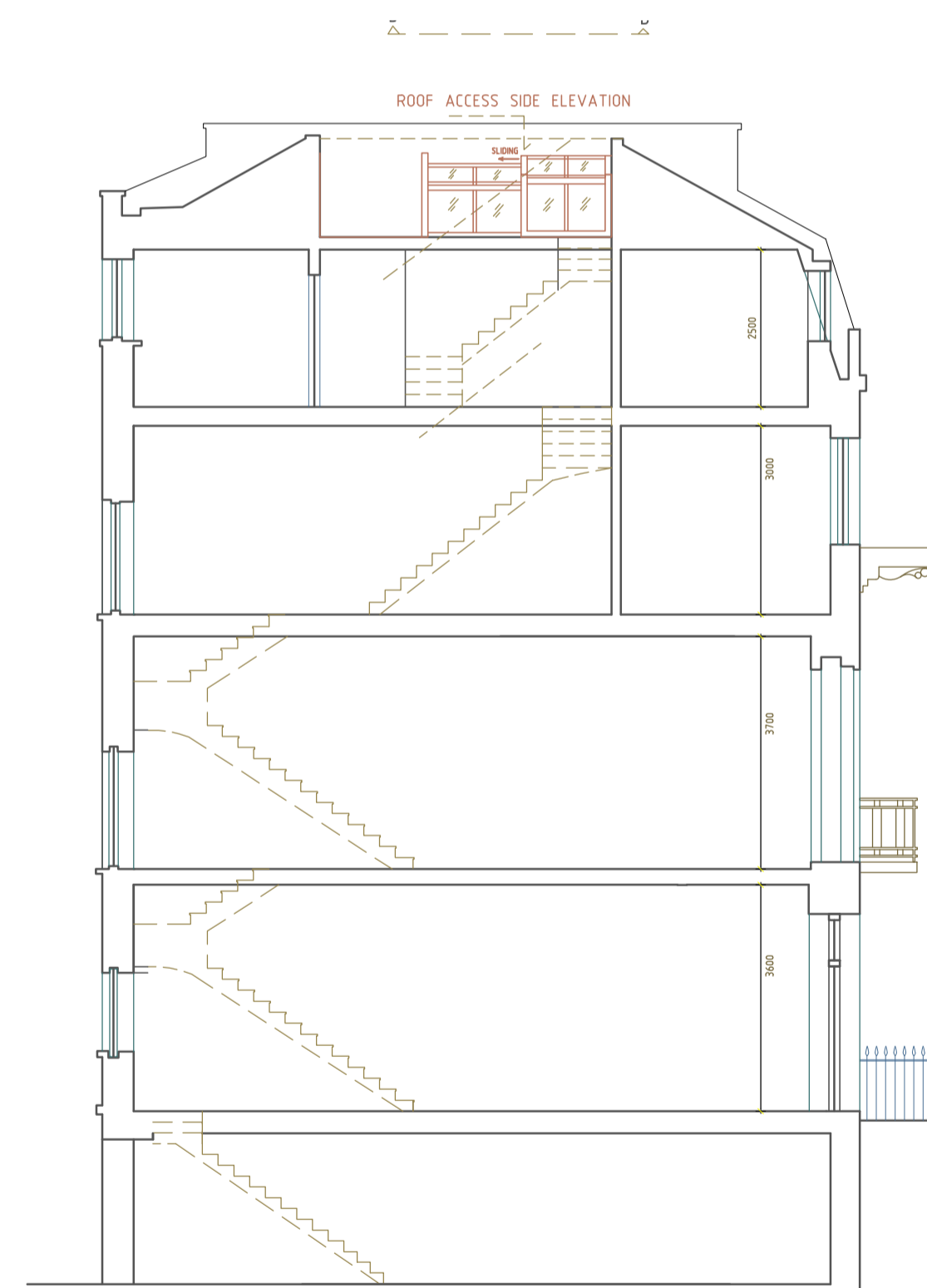
REAR ELEVATION 1:50@A1



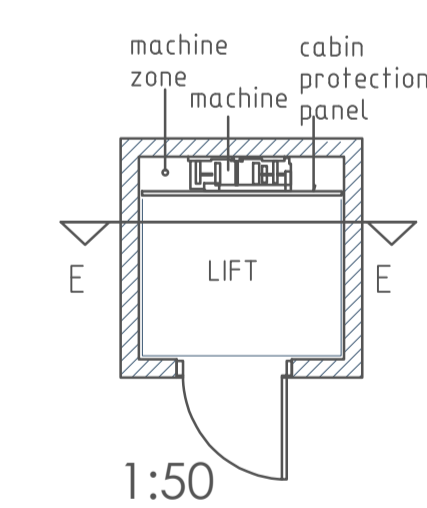
FRONT ELEVATION 1:50@A1



1:50@A1



PROPOSED SECTION BB 1:100@A1



PROPOSED SECTION AA' 1:100@A1

SITE		PROJECT		REVISIONS	
35 CHESTER TERRACE LONDON NW1 4ND		PROPOSED NEW ROOF TERRACE TO THE MIDDLE PART OF THE ROOF AND MINOR INTERNAL ALTERATIONS		A 14/10/2014	
Drawing No: 1446pi/03		SHEET TITLE SECTIONS/ELEVATIONS		CLIENT Prof. Cordeiro Prof. Persaud	
SCALE as shown @A1		DATE 08/10/2014		Drawing produced by AW Architects Contact: 07934 900060 ahul@awarchitects.co.uk www.awarchitecture.co.uk	
DEALT AA		CHECKED AW		REVISIONS	