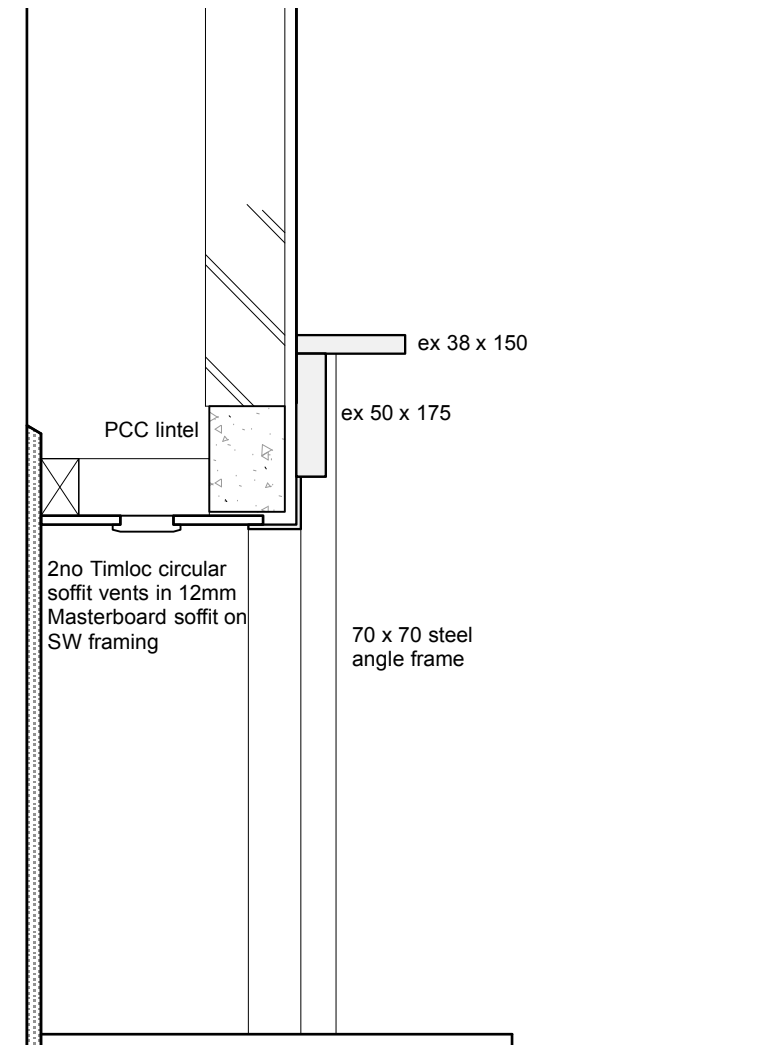
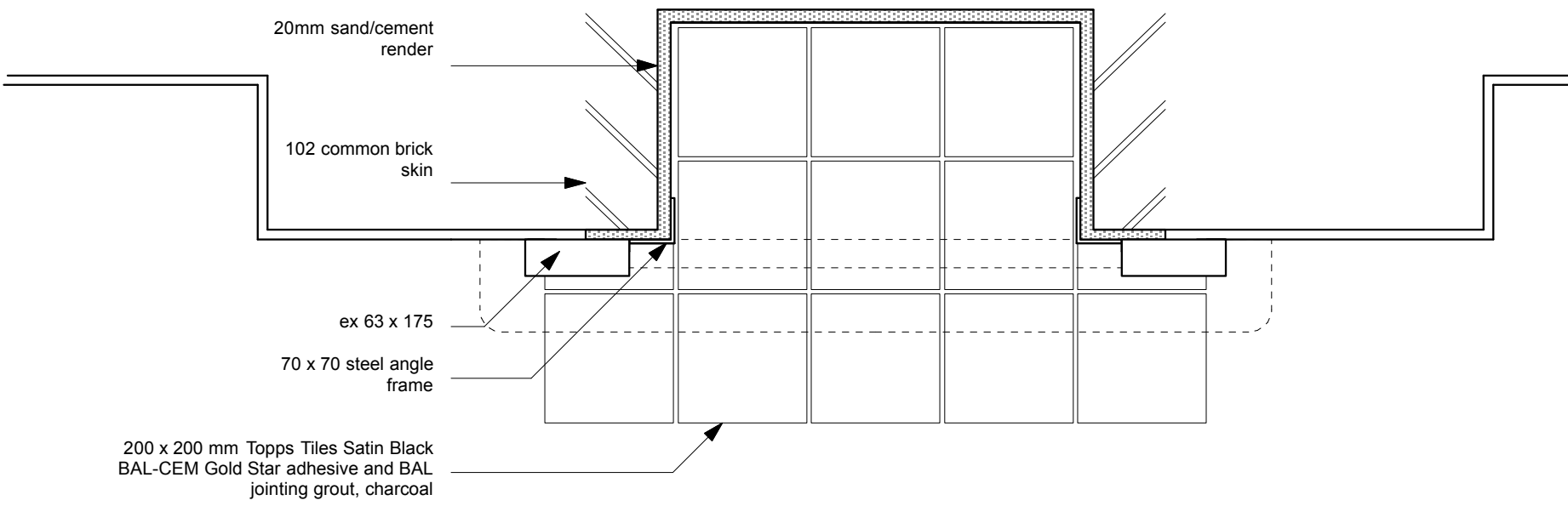


**ELEVATION**



**SECTION**



**PLAN**

drawing no.		<b>6214-FAC-D101</b>	
drawn	PS	checked	
scale	1:5 @ A3	date	JULY 2012
job title		FREDERICK STREET PORTFOLIO	
drawing		FIREPLACE - NEW SURROUND	
PROJECT 5 ARCHITECTURE LLP 8 Waterson Street London E2 8HL T: +44 (0)20 7739 9131 F: +44 (0)20 7739 9667 E: info@psa.co.uk			