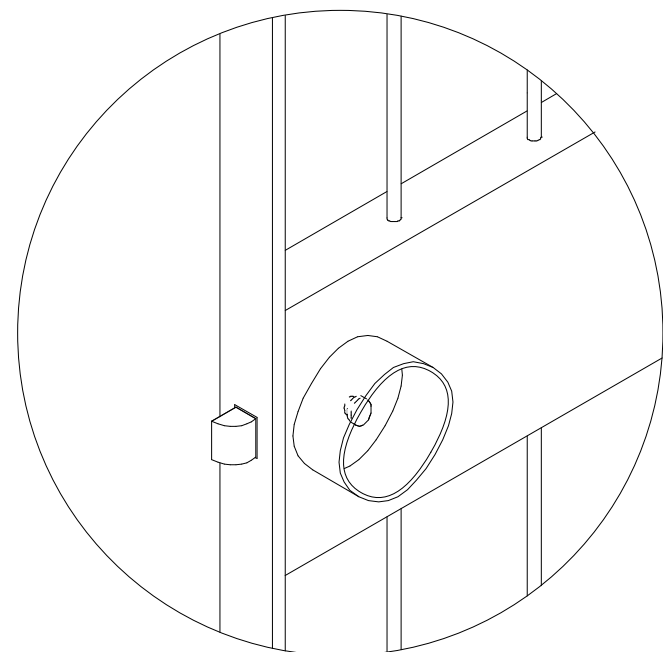
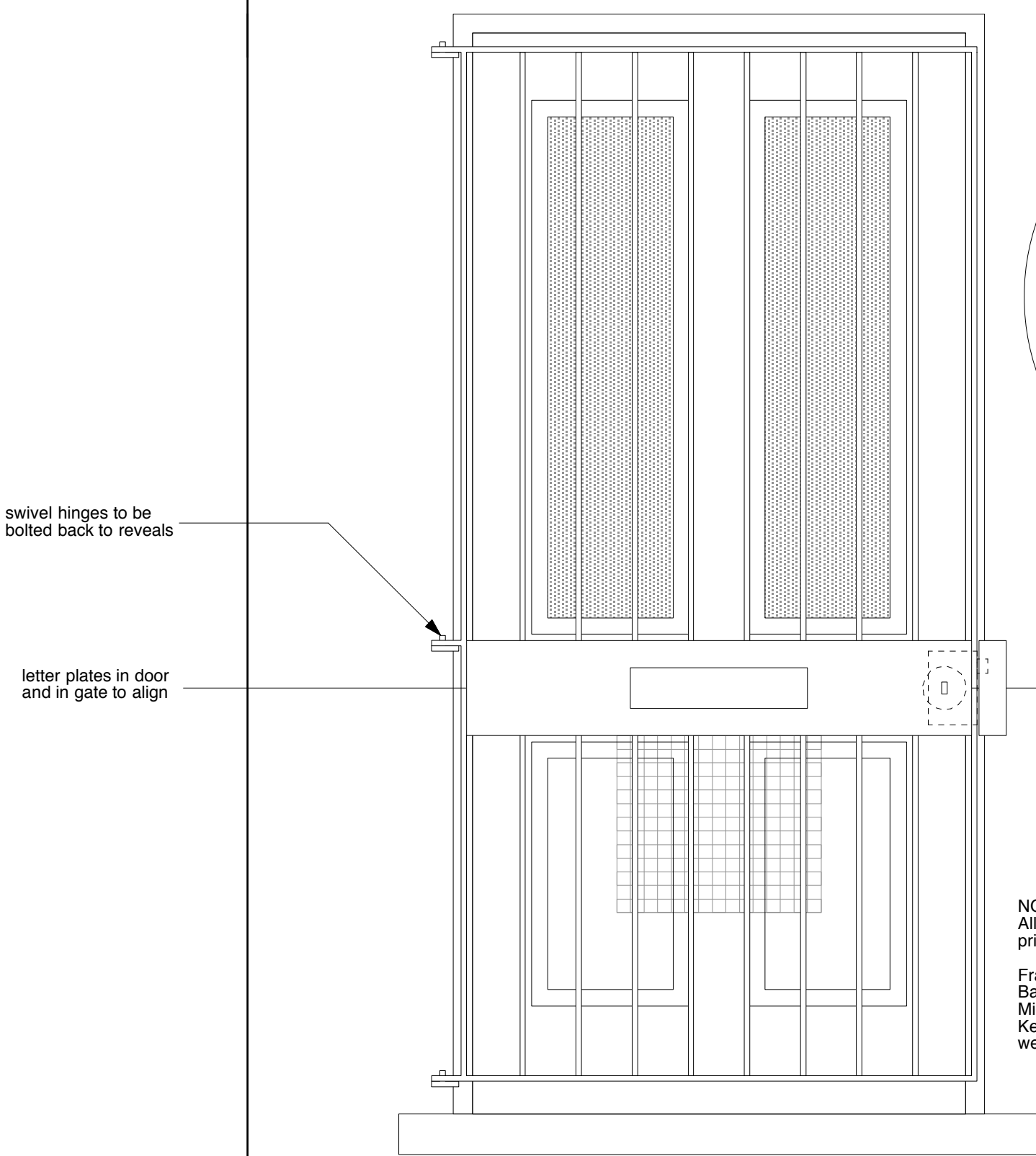


PLAN



NOTE:
All steel sizes to be confirmed with Architect prior to fabrication:
Frame: ms flat section, approx. 10 x 40mm
Bars: ms rods, approx. 10mm dia., max. gaps 99mm
Mid-rail: ms box section, approx 40 x 175mm
Keep: ms box section, approx. 40 x 70 x 175mm, welded to 10mm flat plate bolted to reveal

EXTERNAL ELEVATION

	PROJECT 5 ARCHITECTURE LLP 8 Waterson Street London E2 8HL T: +44 (0)20 7739 9131 F: +44 (0)20 7739 3687 E: info@p5a.co.uk	job title FREDERICK STREET PORTFOLIO	scale 1:10 @ A3	drawn PS	drawing no. 6214-FAC-D102
	drawing BASEMENT FRONT DOOR SECURITY GATE	date JULY 2012	checked XX		