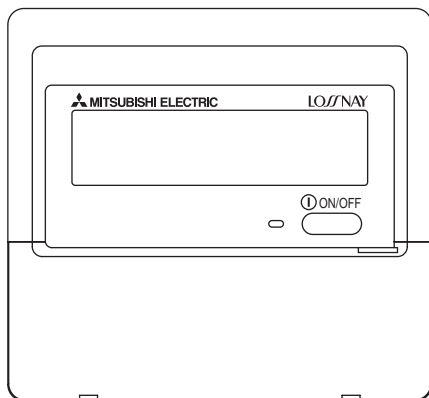


Lossnay Component for residential, commercial or light-industrial use

Lossnay Remote Controller PZ-60DR-E

Operating Instructions



This remote controller is to be connected to a Lossnay unit to allow that unit to be started and stopped, and to allow selection of the ventilation mode and of the fan speed.



In order to ensure that the remote controller and Lossnay unit can be operated both correctly and safely, it is important that this user's manual be read fully and carefully.

Contents

1 Safety Precautions.....	2
2 Parts Names	4
3 Setting the Day of the Week and Time.....	6
4 Using the Remote Controller.....	7
Typical System Setup	7
Using the Timer.....	9
① Using the Weekly Timer	9
② Using the Simple Timer	12
Using the Night Purge.....	14
Using the operation lock	15
Centrally Controlled	16
When interlocked with external device	16
5 Care and Maintenance.....	16
6 Servicing	17
7 Specifications.....	18

1 Safety Precautions

- Precautions are classified as follows, according to the level of potential danger.

 WARNING	Denotes a condition or operation which, if handled incorrectly, may lead to serious injury or death.
 CAUTION	Denotes a condition or operation which, if handled incorrectly, may lead to bodily injury or property damage.

WARNING

Do not attempt to install this equipment yourself.

Please have your dealer or a qualified engineer install this equipment. Improper installation may result in fire, electric shock, or other severe accident.

Be sure that the equipment has been fastened securely.

Be sure that equipment is securely fastened to a sturdy support so that there is no risk that it will fall.

Be sure that you are supplying the rated voltage.

Supply of an incorrect voltage may lead to fire or equipment failure.

Turn off this equipment immediately if operation becomes abnormal.

Continued use may lead to equipment failure, electric shock, or fire. If you notice a burning smell or other abnormality, turn off the power switch immediately and consult your dealer.

Do not attempt to relocate this equipment yourself.

Improper reinstallation may result in fire, electric shock, or other severe accident. Please have your dealer or a qualified engineer carry out relocation.

Do not dispose of this equipment yourself.

Please consult the dealer when it comes time to discard this equipment.

Do not attempt to modify or repair this equipment yourself.

Attempted modification or repair may lead to fire, electric shock, or other severe accident. Please consult with your dealer if repair is required.

Stop using this equipment if it fails to operate correctly (if error messages recur and the unit does not run as expected). Continued use or attempted use of this equipment may lead to fire or equipment failure. Consult your dealer for advice.

 **CAUTION**

Keep hazardous materials away from this equipment.

Do not install this equipment in locations where there is risk of combustible gas leakage. The presence of combustible gas may result in explosion or fire.

Do not wash this equipment with water.

Washing with water may result in electric shock or equipment failure.

Do not touch buttons when hands are wet.

Doing so may result in electric shock or equipment failure.

Do not use this equipment for purposes for which it was not intended.

This equipment is for use with Mitsubishi Building Air Control systems. Please do not use it with any other systems, or for any other purpose, as such usage may result in improper operation.

Do not spray insect repellent or combustible substances on the equipment.

Keep combustible sprays and substances away from this equipment, and never spray them directly onto this equipment. Contact with or proximity to such substances poses risk of explosion or fire.

Do not use this equipment in improper environments.

Do not use in areas where there may be large quantities of oil (machine oil, etc.), exhaust gas, or sulfide gas. Such environments may degrade the performance or cause equipment failure.

Do not use sharp-tipped objects to press the buttons.

Use of sharp tips may lead to electric shock or equipment failure.

Do not use under extreme temperatures.

Use only when ambient temperature is within the limits indicated in the instructions. (If the instructions do not indicate limits, use only at temperatures between 0°C and 40°C.) Use of this equipment at temperatures outside of this range may result in major equipment failure.

Do not pull or twist the communication cables.

Pulling or twisting a cable may result in fire or equipment failure.

Do not disassemble.

Attempted disassembly may result in injury from contact with internal parts, or may lead to fire or equipment failure.

Do not wipe this equipment with benzene, paint thinner, or chemical cleaning cloths.

These substances may cause discoloration or equipment failure. If the equipment becomes noticeably dirty, clean it with a wrung-out cloth that has been moistened with water-diluted neutral solvent, and then wipe it with a dry cloth.

2 Parts Names

Display Section

For purposes of this explanation, all parts of the display are shown as lit. During actual operation, only the relevant items will be lit.

Identifies the current operation

Shows the operating mode, etc.
* Multilanguage display is supported.

“CENTRAL” indicator

Indicates that operation of the remote controller has been prohibited by a main controller.

“INTERLOCKED” indicator

Displayed when the Lossnay starts off by interlocked Lossnay unit or external signal.

“Timer Off” indicator

Indicates that the timer is off.

“Night Purge” indicator

Displayed during Night Purge mode

Day-of-Week

Shows the current day of the week.

TIME/TIMER Display

Shows the current time, unless the simple timer is set.
If the simple timer is set, shows the time remaining.

“Locked” indicator

Indicates that remote controller buttons have been locked.

“Clean The Filter and The Lossnay Core” indicators

Comes on when it is time to clean the filter and Lossnay core.

Timer indicators

The indicator comes on if the corresponding timer is set.

“Automatic Fan Speed” indicator

Displayed during automatic fan speed operation

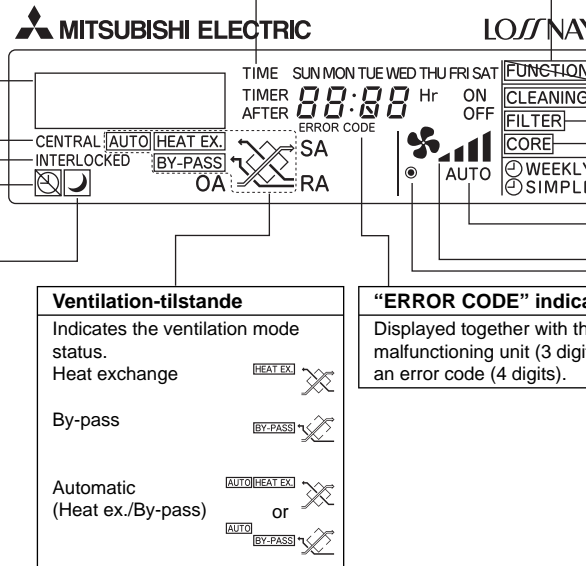
“Fan Speed Adjustment” indicator

Used to select the fan of either Extra Low, Low, High, Extra High.



● (Power On indicator)

Indicates that the power is on.



Ventilation-tilstande

Indicates the ventilation mode status.

Heat exchange

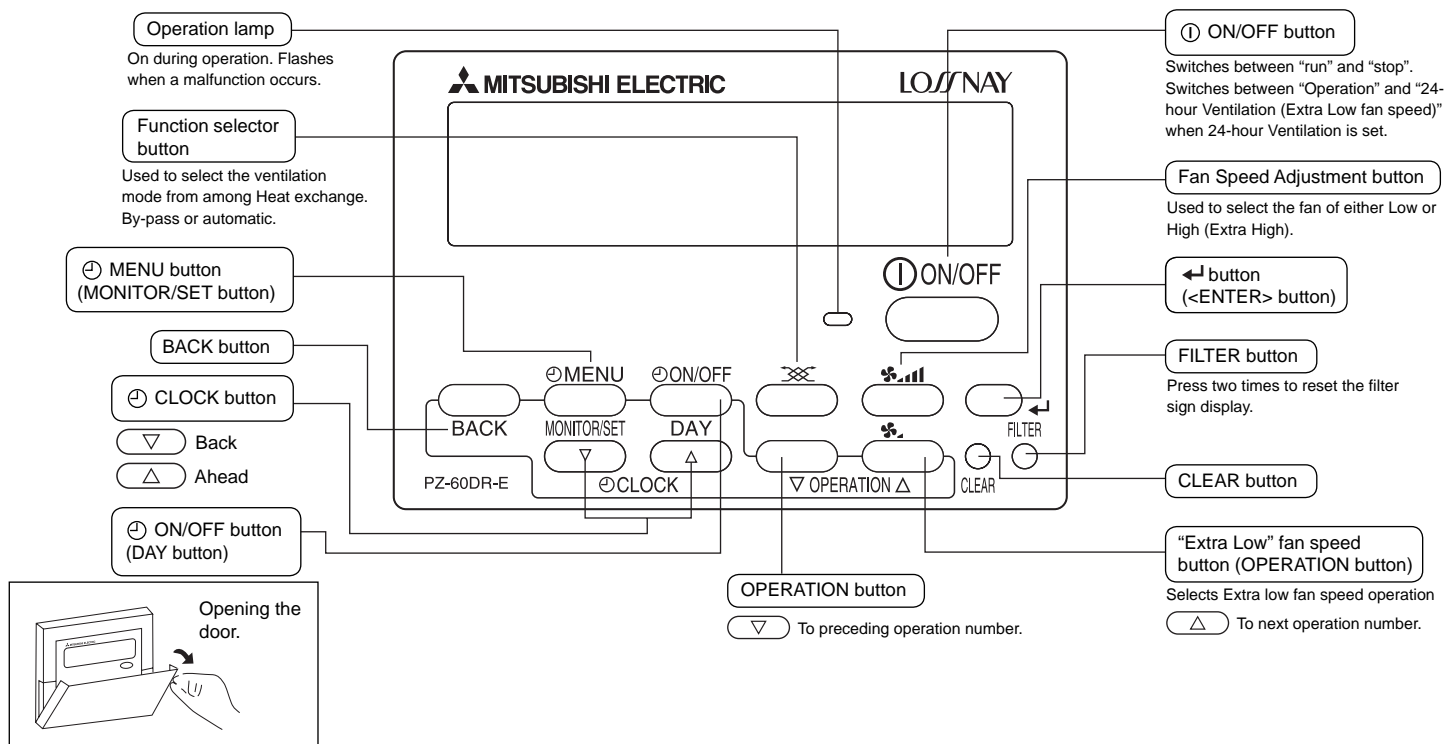
By-pass

Automatic (Heat ex./By-pass) or

“ERROR CODE” indicator

Displayed together with the malfunctioning unit (3 digits) and an error code (4 digits).

Operation Section



Note:

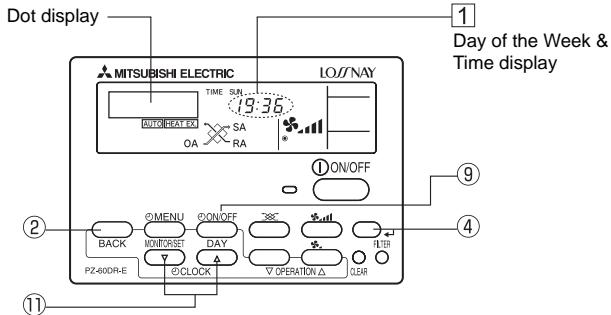
- If you press a button for a feature that is not installed at the Lossnay unit, the remote controller will display the "NOT AVAILABLE" message. If you are using the remote controller to drive multiple Lossnay units, this message will appear only if the feature is not present at the main unit.

3 Setting the Day of the Week and Time

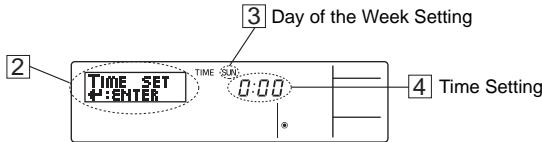
■ Use this screen to change the current day of the week and time setting.

Note:

The day and time will not appear if clock use has been disabled or the simple timer has activated at Function Selection of remote controller.



<How to Set the Day of the Week and Time>



1. Press the ∇ or Δ [CLOCK] button ⑪ to show display ②.
2. Press the [ON/OFF (DAY)] button ⑨ to set the day.
 - * Each press advances the day shown at ③: SUN → MON → ... → FRI → SAT.
3. Press the appropriate [CLOCK] button ⑪ as necessary to set the time.
 - * As you hold the button down, the time (at ④) will increment first in minute intervals, then in 10-minute intervals, and then in 1-hour intervals.
4. After making the appropriate settings at Steps 2 and 3, press the \leftarrow button ④ to lock in the values.

Note:

Your new entries at Steps 2 and 3 will be cancelled if you press the BACK button ② before pressing the \leftarrow button ④.

5. Press the BACK button ② to complete the setting procedure. This will return the display to the standard control screen, where ① will now show the newly set day and time.

* To change the time or day of the week, start from Step 1 above.

Note:

If you are using two remote controllers, setting the time and day of the week in one remote controller will cause the new setting to be applied to the other as well.

4 Using the Remote Controller

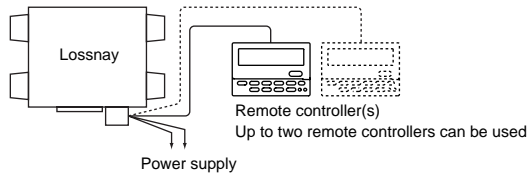
Typical System Setup

In either case, up to two remote controllers can be used.

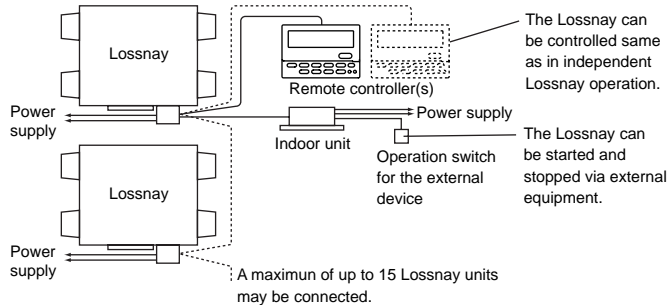
Two remote controller operation

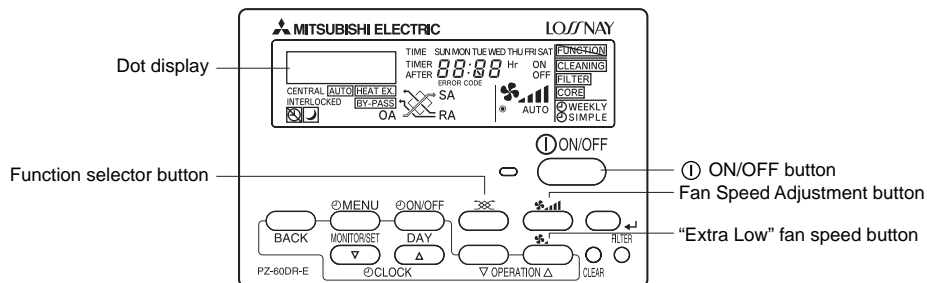
- When two individual remote controllers have been installed, the most recent control signals will be given priority.



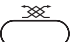
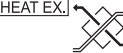






Independent operation of the Lossnay unit:



Interlocked operation with an air conditioners, etc.:








Operation	Relevant button	Relevant display items	Sequence
1. Starting the Lossnay unit	 Operation lamp	 "High"	Press the [ON/OFF] button and confirm that the Operation lamp turns on.
2. Setting the ventilation mode		 "HEAT EX." non-automatic	Press the Function selector button: Each time it is pressed, the corresponding display will change in accordance with the sequence [HEAT EX.] (non-automatic) --> [BY-PASS] (non-automatic) --> [AUTO].
3. Selecting the fan speed		 "Low" "Extra High"	Press the Fan Speed Adjustment button to select either Low or High (Extra High) fan speed. High and Extra-High can be selectable by initial setting.
4. Selecting the Extra Low fan speed ^{*1*}		 "Extra Low"	Press the "Extra Low" fan speed button. Extra low operation will begin. Pressing the Fan Speed Adjustment button will cause the fan speed to revert to its original speed (before the Extra low mode began). Pressing the Extra Low fan speed button again will return operation to Extra low mode.
5. Stopping the Lossnay unit	 Operation lamp		Press the [ON/OFF] button. ^{*2} (Press the [ON/OFF] button to turn off the Operation lamp.)

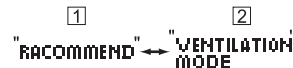
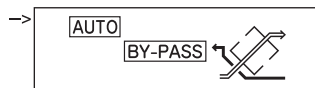
^{*1} If you press a button for a feature that is not installed at the Lossnay unit, the remote controller will display the "NOT AVAILABLE" message.

^{*2} If set to "24-hour Ventilation", pressing the [ON/OFF] button will cause this to be displayed in the dot display "24HR VENTILATION", and the operation will switch to Extra low fan speed mode. To stop operation, press the [ON/OFF] button twice within 3 seconds, or press and hold the [ON/OFF] button for 5 seconds.

Pressing Function Selector button

Ventilation mode	Display
AUTO	AUTO HEAT EX. 
HEAT EX.	HEAT EX. 
BY-PASS	BY-PASS 

← Display will change automatically depending on environmental circumstances.



* If either "HEAT EX." or "BY-PASS" is selected and ① and ② blink alternately at an interval of five seconds in the dot display, it is recommended to select "AUTO". (The display blinks for a maximum of 10 minutes.)

Using the Timer

This section explains how to set and use the timer. You can use Function Selection of remote controller to select which of three types of timer to use: ① Weekly timer, ② Simple timer.

For information about how to set the Function Selection of remote controller, refer to section "Installation Manual", item [5]-3 (2).

Note:

- Weekly Timer and Simple Timer cannot be used at the same time.
- If two remote controllers are connected to one machine or group and the timer is used, set the timer only in one remote controller, and set "Timer disabled" in the other. The system will not operate correctly if two different timers are set in the two remote controllers.

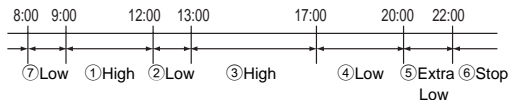
① Using the Weekly Timer

■ The weekly timer can be used to set up to eight operations for each day of the week.

- Each operation may consist of any of the following: ON/OFF time together with fan speed setting, or ON/OFF time only, or fan speed setting only.
- When the current time reaches a time set at this timer, the Lossnay unit carries out the action set by the timer.

■ Time setting resolution for this timer is 1 minute.

Examples

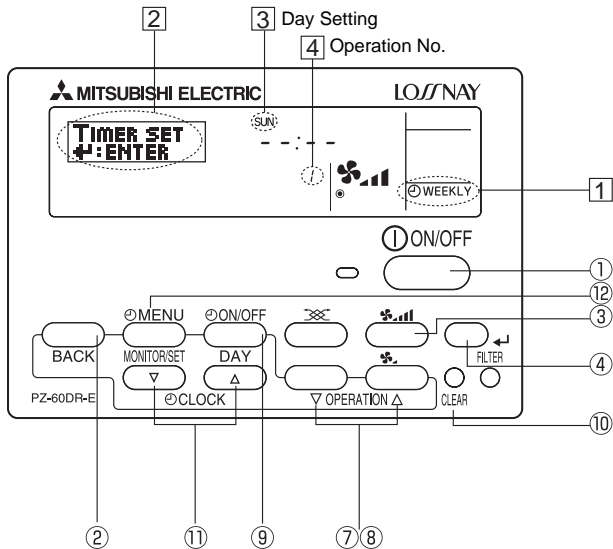


Note:

*1. The weekly timer will not operate when any of the following conditions is in effect.

The timer feature is off; the user is in the process of setting a function; the user is in the process of setting the timer; the user is in the process of setting the current day of the week or time; the system is under central control. (Specifically, the system will not carry out operations (unit on, unit off setting) that are prohibited during these conditions.)

*2. The Weekly timer may be used if the clock use setting is ON (use clock) in Function Selection.



<How to Set the Weekly Timer>

1. Be sure that you are at a standard control screen, and that the weekly timer indicator **1** is shown in the display.
2. Press the [MENU] button **2**, so that the "TIMER SET" appears on the screen (at **2**). (Note that each press of the button toggles the display between "TIMER SET" and "TIMER MONITOR".)
3. Press the [ON/OFF (DAY)] button **9** to set the day. Each press advances the display at **3** to the next setting, in the following sequence: "SUN MON TUE WED THU FRI SAT" → "SUN" → ... → "FRI" → "SAT" → "SUN MON TUE WED THU FRI SAT"...
4. Press the ∇ or Δ OPERATION buttons (**7** or **8**) as necessary to select the appropriate operation number (1 to 8) **4**.
 - * Your inputs at Steps 3 and 4 will select one of the cells from the matrix illustrated below.
 - (The remote controller display at left shows how the display would appear when setting Operation 1 for Sunday to the values indicated below.)

Setup Matrix

Op No.	Sunday	Monday	...	Saturday	
No. 1	• 9:00 • ON • High				→ <Operation 1 settings for Sunday> Start the Lossnay unit at 9:00, with fan speed set to High.
No. 2	• 10:00 • OFF	• 10:00 • OFF	• 10:00 • OFF	• 10:00 • OFF	→ <Operation 2 settings for every day> Turn off the Lossnay unit at 10:00.
...					
No. 8					

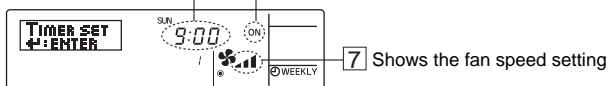
Note:

By setting the day to "Sun Mon Tue Wed Thu Fri Sat", you can set the same operation to be carried out at the same time every day.
(Example: Operation 2 above, which is the same for all days of the week.)

<How to set the Weekly Timer>

Shows the time setting [5] [6] Shows the selected operation (ON or OFF)

* Does not appear if operation is not set.



5. Press the appropriate [CLOCK] button (11) as necessary to set the desired time (at [5]).
* As you hold the button down, the time first increments in minute intervals, then in 10-minute intervals, and then in 1-hour intervals.

6. Press the [ON/OFF] button (1) to select the desired operation (ON or OFF), at [6].
* Each press changes the next setting, in the following sequence: No display (no setting) → "ON" → "OFF"

Note:

The timer will not function when not displayed.

7. Press the Fan Speed Adjustment button (3) to set the fan speed (at [7]).

* Each press changes the setting, in the following sequence: No display (no setting) → Extra High → High → Low → Extra Low → No display.

Note:

When not displayed, the system will operate at the currently set fan speed (other than Extra Low)

For the Lossnay models without extra low fan speed, the speed will not be displayed.

8. To clear the currently set values for the selected operation, press and quickly release the CLEAR button (10) once.

* The displayed time setting will change to "—:—", and the On/Off and fan speed settings will all disappear. (To clear all weekly timer settings at once, hold down the CLEAR button (10) for two seconds or more. The display will begin flashing, indicating that all settings have been cleared.)

9. After making the appropriate settings at Steps 5, 6, 7, and 8, press the [LOCK] button (4) to lock in the values.

* "TIMER SET" indicator flashes three times.

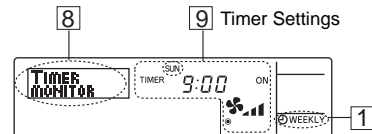
Note:

Your new entries will be cancelled if you press the BACK button (2) before pressing the [LOCK] button (4). If you have set two or more different operations for exactly the same time, only the operation with the highest Operation No. will be carried out.

10. Repeat Steps 3 to 9 as necessary to fill as many of the available cells as you wish.
11. Press the BACK button (2) to return to the standard control screen and complete the setting procedure.
12. To activate the timer, press the [ON/OFF] button (9), so that the "Timer Off" indication disappears from the screen. **Be sure that the "Timer Off" (at [10]) indication is no longer displayed.**

* If there are no timer settings, the "Timer Off" (at [10]) indication will flash on the screen.

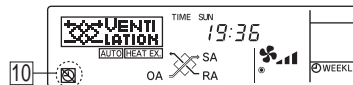
<How to View the Weekly Timer Settings>



1. Be sure that the weekly timer indicator is visible on the screen (at [1]).
2. Press the [MENU] button (12) so that "TIMER MONITOR" is indicated on the screen (at [8]).
3. Press the [ON/OFF (DAY)] button (9) as necessary to select the day you wish to view (at [3]).
4. Press the [OPERATION] buttons (7) or (8) as necessary to change the timer operation shown on the display (at [9]).
* Each press will advance to the next timer operation, in order of time setting.
5. To close the monitor and return to the standard control screen, press the BACK button (2).

<To Turn Off the Weekly Timer>

Press the [ON/OFF] button (9) so that "Timer Off" indication appears at [10].



<To Turn On the Weekly Timer>

Press the [ON/OFF] button (9) so that the "Timer Off" indication (at [10]) goes dark.

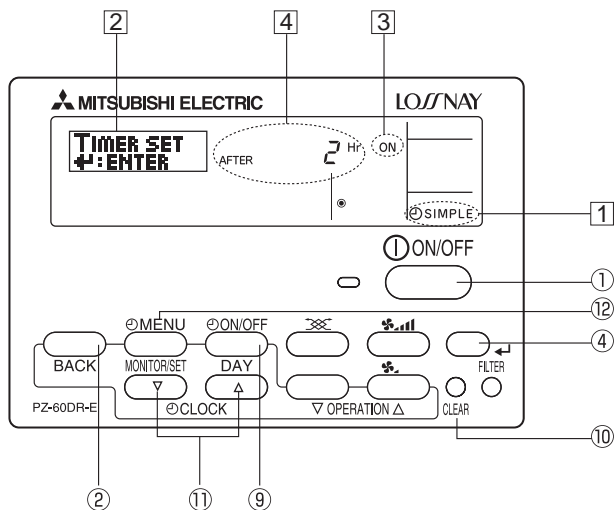


② Using the Simple Timer

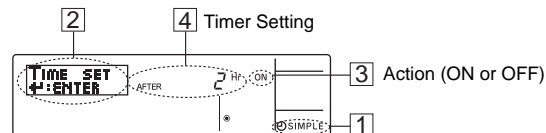
- You can set the simple timer in any of three ways.
 - Start time only: The Lossnay unit starts when the set time has elapsed.
 - Stop time only: The Lossnay unit stops when the set time has elapsed.
 - Start & stop times: The Lossnay unit starts and stops at the respective elapsed times.
- The simple timer (start and stop) can be set only once within a 72 hours period. The time setting is made in hour increments.
- When a 24-hour Ventilation setting is specified (Extra low operation set by pressing the [ON/OFF] button while running), when the timer expires the system will go to Extra low operation instead of stopping.

Note:

- Weekly Timer/Simple Timer cannot be used at the same time.
- The simple timer will not operate when any of the following conditions is in effect. The timer is off; the user is in the process of selecting a function; the user is in the process of setting the timer; the system is under central control. (Under these conditions, On/Off operation is prohibited.)
- When using a simple timer, the time will not be displayed on the screen, even if the clock use setting is ON (use clock).



<How to Set the Simple Timer>

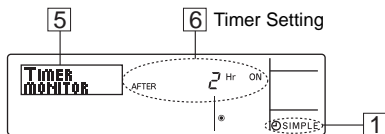


- Be sure that you are at a standard control screen, and that the simple timer indicator is visible in the display (at ①). When something other than the Simple Timer is displayed, set it to SIMPLE TIMER using the function selection of remote controller, refer to section "Installation Manual" [5. Function selection [3] Mode selection (2) Timer function setting].
- Press the [MENU] button (⑫), so that the "TIMER SET" appears on the screen (at ②). (Note that each press of the button toggles the display between "TIMER SET" and "TIMER MONITOR".)
- Press the [ON/OFF] button (①) to display the current ON or OFF simple timer setting. Press the button once to display the time remaining to ON, and then again to display the time remaining to OFF. (The ON/OFF indication appears at ③).
 - "ON" timer: The Lossnay unit will start operation when the specified number of hours has elapsed.
 - "OFF" timer: The Lossnay unit will stop operation when the specified number of hours has elapsed.
- With "ON" or "OFF" showing at ③: Press the appropriate [CLOCK] button (⑪) as necessary to set the hours to ON (if "ON" is displayed) or the hours to OFF (if "OFF" is displayed) at ④.
 - Available Range: 1 to 72 hours
 - Pressing and holding the button will fast-forward the display.
- To set both the ON and OFF times, repeat Steps 3 and 4.
 - * Note that ON and OFF times cannot be set to the same value.
- To clear the current ON or OFF setting: Display the ON or OFF setting (see step 3) and then press the CLEAR button (⑩) so that the time setting clears to "—" at ④. (If you want to use only an ON setting or only an OFF setting, be sure that the setting you do not wish to use is shown as "—".)
- After completing steps 3 to 6 above, press the [ENTER] button (④) to lock in the value.
 - * "TIMER SET" indicator flashes three times.

Note:

- Your new settings will be cancelled if you press the BACK button (②) before pressing the [ENTER] button (④).
- Press the BACK button (②) to return to the standard control screen.
 - Press the [ON/OFF] button (⑨) to start the timer countdown. When the timer is running, the timer value is visible on the display. **Be sure that the timer value is visible and appropriate.**

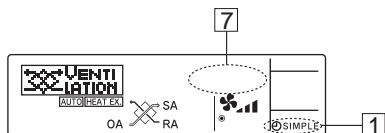
<Viewing the Current Simple Timer Settings>



1. Be sure that the simple timer indicator is visible on the screen (at ①).
2. Press the [MENU] button ⑫, so that the "TIMER MONITOR" appears on the screen (at ⑤).
 - If the ON or OFF simple timer is running, the current timer value will appear at ⑥.
 - If ON and OFF values have both been set, the two values appear alternately.
3. Press the BACK button ② to close the monitor display and return to the standard control screen.

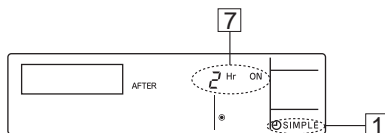
<To Turn Off the Simple Timer>

Press the [ON/OFF] button ⑨ so that the timer setting no longer appears on the screen (at ⑦).



<To Turn On the Simple Timer>

Press the [ON/OFF] button ⑨ so that the timer setting becomes visible at ⑦.



Examples

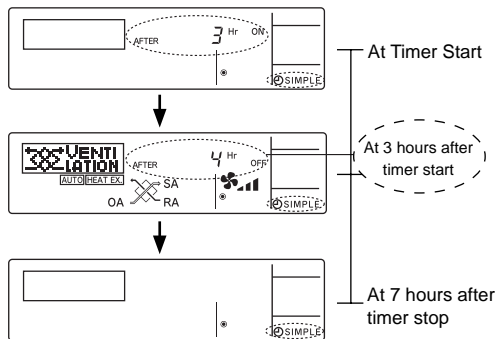
If ON and OFF times have both been set at the simple timer, operation and display are as indicated below.

Example 1:

Start the timer, with ON time set sooner than OFF time

ON Setting: 3 hours

OFF Setting: 7 hours



Display shows the timer's ON setting (hours remaining to ON).

Display changes to show the timer's OFF setting (hours remaining to OFF).
The time displayed is OFF setting (7 hours) – ON setting (3 hours) = 4 hours.

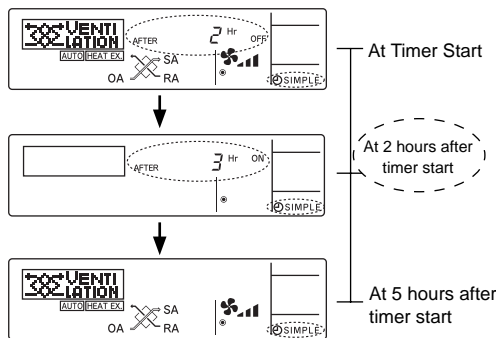
The Lossnay unit goes off, and will remain off until someone restarts it.

Example 2:

Start the timer, with OFF time is sooner than ON time

ON Setting: 5 hours

OFF Setting: 2 hours



Display shows the timer's OFF setting (hours remaining to OFF).

Display changes to show the timer's ON setting (hours remaining to ON).
The time displayed is ON setting (5 hours) – OFF setting (2 hours) = 3 hours.

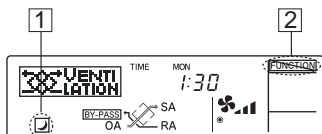
The Lossnay unit comes on, and will continue to run until someone turns it off.

Using the Night Purge

Night purge operation is used in the summer to automatically ventilate a room at night while the air conditioner is stopped, to discharge accumulated heat and thereby reduce the air conditioning load the next morning.

If Night purge is enabled per the "Installation Manual" [5. Function Selection [5] (8)], night purge operation will be performed based on the flowchart shown at right.

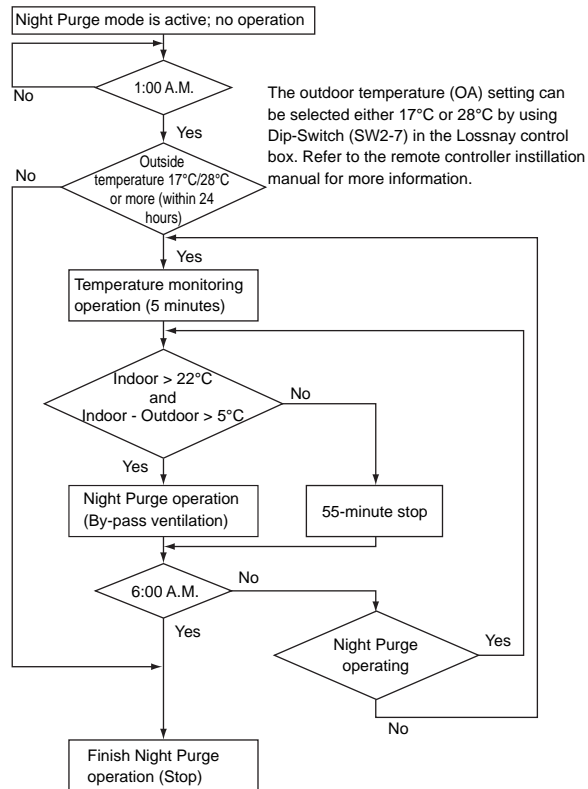
From 1:00 A.M. to 6:00 A.M., "Night Purge" indicator is shown on the screen (at ①).



- The fan speed will revert to the last setting before the Lossnay unit was stopped.
- Night purge operation is terminated in any of the following conditions (① to ④), and is not resumed until the start conditions of the next day are reached.
 - ① Between 6:00 and 0:59
 - ② When the operation is stopped between 1:00 and 6:00 with a deluxe remote controller or system controller
 - ③ When the operation is switched on or off between 1:00 and 6:00 by a scheduled timer (Weekly timer)
 - ④ When the operation is switched on or off between 1:00 and 6:00 by an air conditioner, an external control input or a remote input

Note:

- Night purge can be performed when the clock use setting is ON (use clock) in Function Selection.
- The Function Selector cannot be switched during Night purge operation. ("Locked" ② will blink.)
- Night Purge cannot be used with the Simple timer.
- Night purge settings can be checked in the Function Selection mode.
- When more than one Lossnay units are running, the temperature is measured by the main Lossnay.
- Night purge is not performed when "CENTRAL" is displayed.
- Do not use the night purge function if fog or heavy rain is expected. Rain water may enter the unit during the night.



Using the operation lock

Locking the remote controller buttons (Operation Lock)

- If you wish, you can lock the remote controller buttons. You can use the Function Selection of remote controller to select which type of lock to use. (For information about selecting the lock type, see section “Installation Manual” [5. Function Selection [2] (1)])

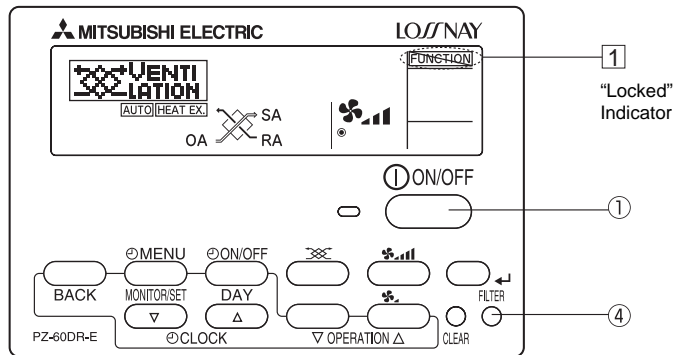
Specifically, you can use either of the following two lock types.

- ① Lock All buttons: Locks all of the buttons on the remote controller.
- ② Lock All Except [① ON/OFF] button: Locks all buttons other than the [① ON/OFF] button.

Note:

The “Locked” indicator appears on the screen to indicate that buttons are currently locked.

“Locked” will be displayed when operation is locked via Function Selection. In addition, “Locked” will be displayed during Night purge, external fan speed adjustment input (automatic fan speed), fan speed and function selector adjustment input, Function Selection mode when using two remote controllers, and also in maintenance mode.



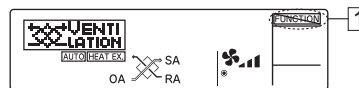
<How to Lock the buttons>

1. While holding down the FILTER button (④), press and hold down the [① ON/OFF] button (①) for 2 seconds. The “Locked” indication appears on the screen (at ①), indicating that the lock is now engaged.

* If locking has been disabled in Function Selection of remote controller, the screen will display the “NOT AVAILABLE” message when you press the buttons as described above.



- If you press a locked button, the “Locked” indication (at ①) will blink on the display.



<How to Unlock the buttons>

1. While holding down the FILTER button (④), press and hold down the [① ON/OFF] button (①) for 2 seconds—so that the “Locked” indication disappears from the screen (at ①).



Centrally Controlled

“CENTRAL” will be displayed when operation is locked in the centralized controller or REMOTE is ON in Remote Input, and also during the external interlocking priority mode (during interlocking, when the interlocking mode is “External Signal Priority.”) The following operations are locked:

- Clear Filter (only when the operation is prohibited by the centralized controller)
- ON/OFF (including timer operation)

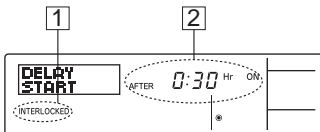


Note:

May also be individually restricted.

When interlocked with external device

The Lossnay unit can be started and stopped by external equipment.



When the operation of Lossnay unit is started by external device, “INTERLOCKED” ① is displayed on the remote controller display.

Timer mode is cancelled when the Lossnay unit is started by external device while the operation start timer has been set, or when the Lossnay unit is stopped by external device while the operation stop timer has been set.

- External device interlocking is given priority over timer setting.

If delayed operation is set for the Lossnay unit, the interlocking start time will be “After 0:30 hours” ②. (Operation will start after 30 minutes, and thereafter the time display will decrement each minute.)

To set Ventilation mode, Fan Speed Selection, Timer Operation Lock

Settings are the same as for a single Lossnay unit. (see page 8.)

5 Care and Maintenance

	Button	Display	Sequence
Cleaning of the Lossnay unit's filter* (i.e., resetting the total Lossnay-unit operating time)	FILTER ○	CLEANING FILTER	Clean the air filter, Press the FILTER button twice and confirm that the “FILTER” “CLEANING” display turns off. (Displayed after every 3,000 hours of cumulative operation time.)
Cleaning the Lossnay core*	FILTER ○	CLEANING CORE	Clean the Lossnay core, Press the FILTER button twice and confirm that the “CORE” “CLEANING” display turns off. (Displayed after every 6,000 hours of cumulative Lossnay ventilation time.)
Cleaning the remote controller			To remove dirt from the remote controller's display window, Use a mild detergent on slightly damp cloth, wipe with a dry cloth to remove any detergent residue. • Paint thinner, alcohol, benzene, gasoline, kerosene, spray cleaner, cleaning alkali, etc.

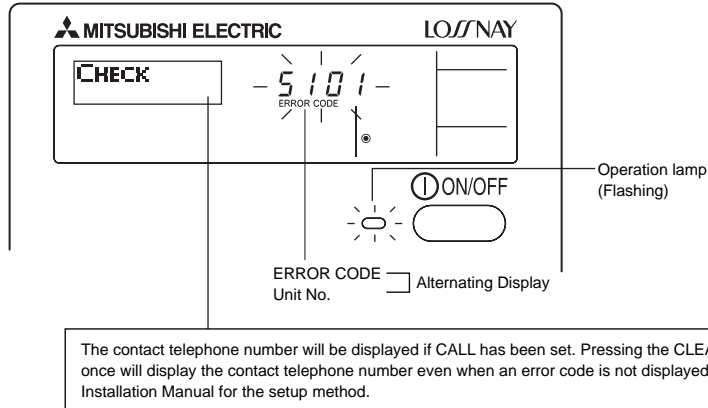
- Clean, check and replace according to the Operation Manual provided with the Lossnay unit.

* Factory default setting is for no remote controller.

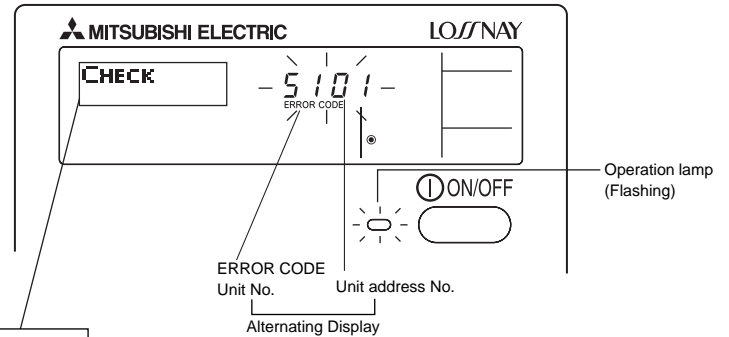
6 Servicing

<Flashing Error Codes>

Basic System



M-NET System



- If the Operation lamp and error code are both flashing: This means that the Lossnay unit is out of order and operation has been stopped (and cannot resume). Take note of the indicated unit number and error code, then switch off the power to the Lossnay unit and call your dealer or servicer.

7 Specifications

Item	Details
Dimensions	120 (H) × 130 (W) × 19 (D) mm
Weight	0.2 kg
Power Source	10 to 15V DC (Supplied from Lossnay unit)
Power Consumption	0.3 W
Ambient Usage Environment	0°C to 40°C, 30% to 80% relative humidity
Composition	PS