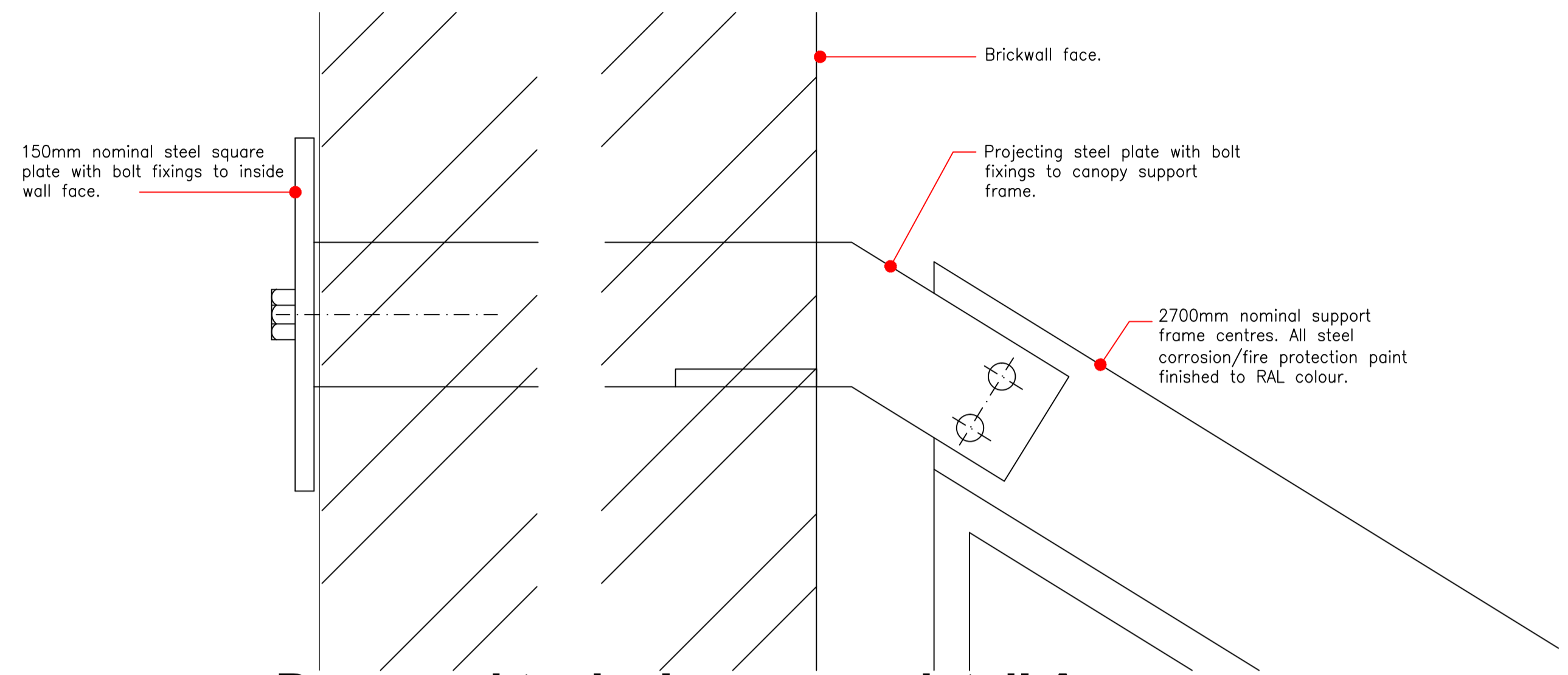


Please note that information used to produce these drawings is based on measured survey supplied by others; Heritage Architecture can not be held responsible for any inaccuracies that may exist. Please do not scale drawings. All dimensions should be verified on site.

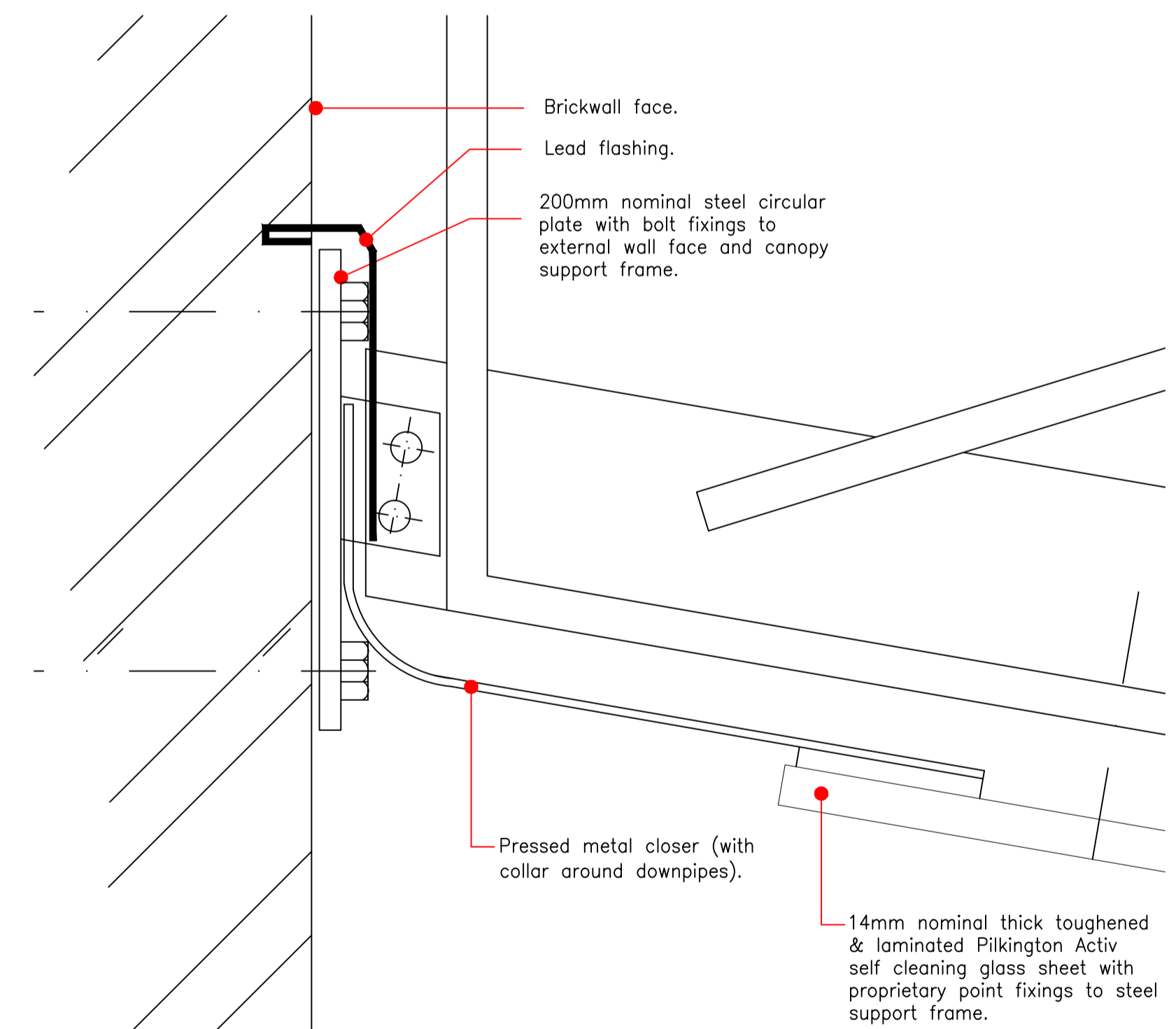
Proposed typical canopy - elevation

Scale 1:10



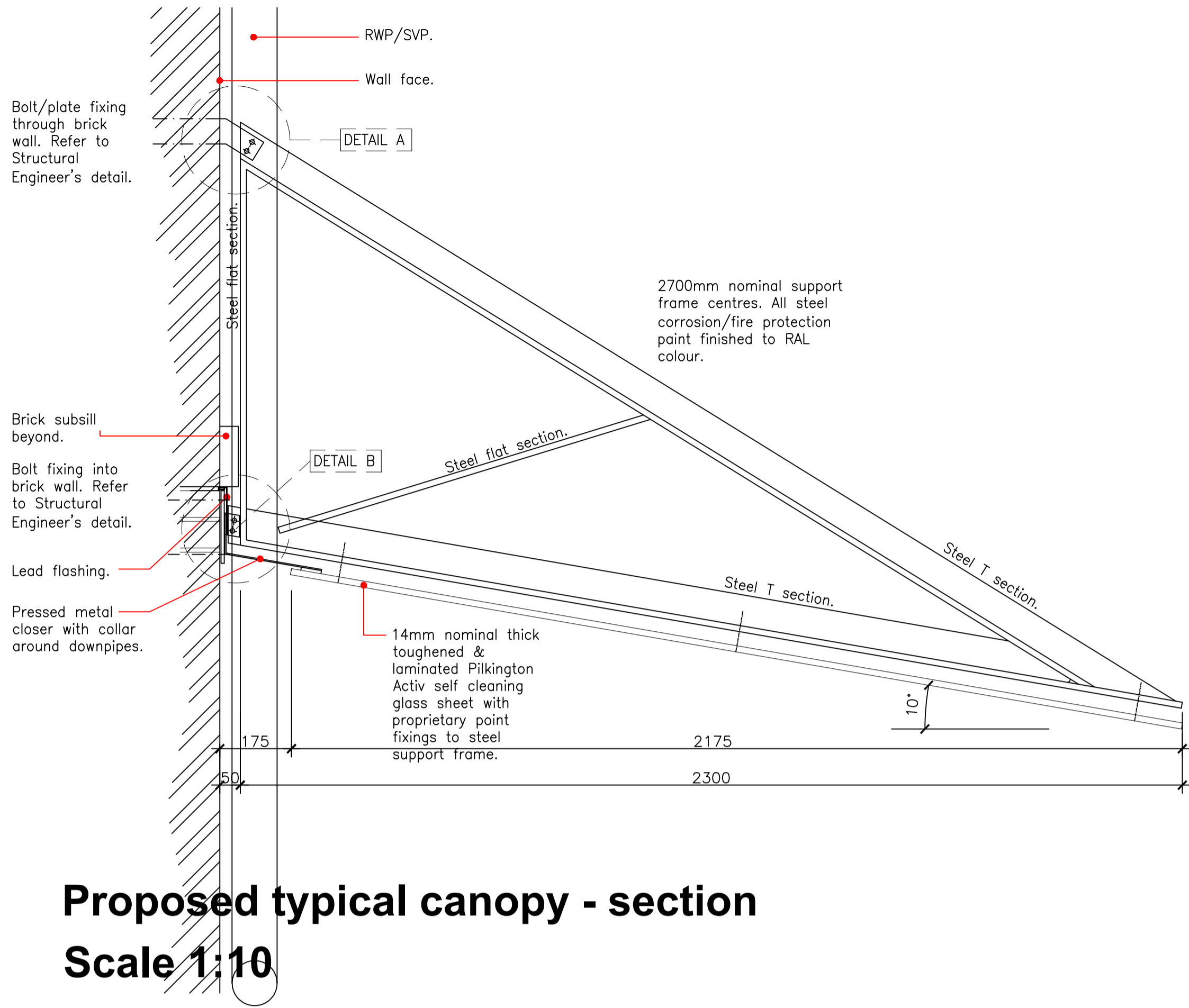
Proposed typical canopy - detail A

Scale 1:10



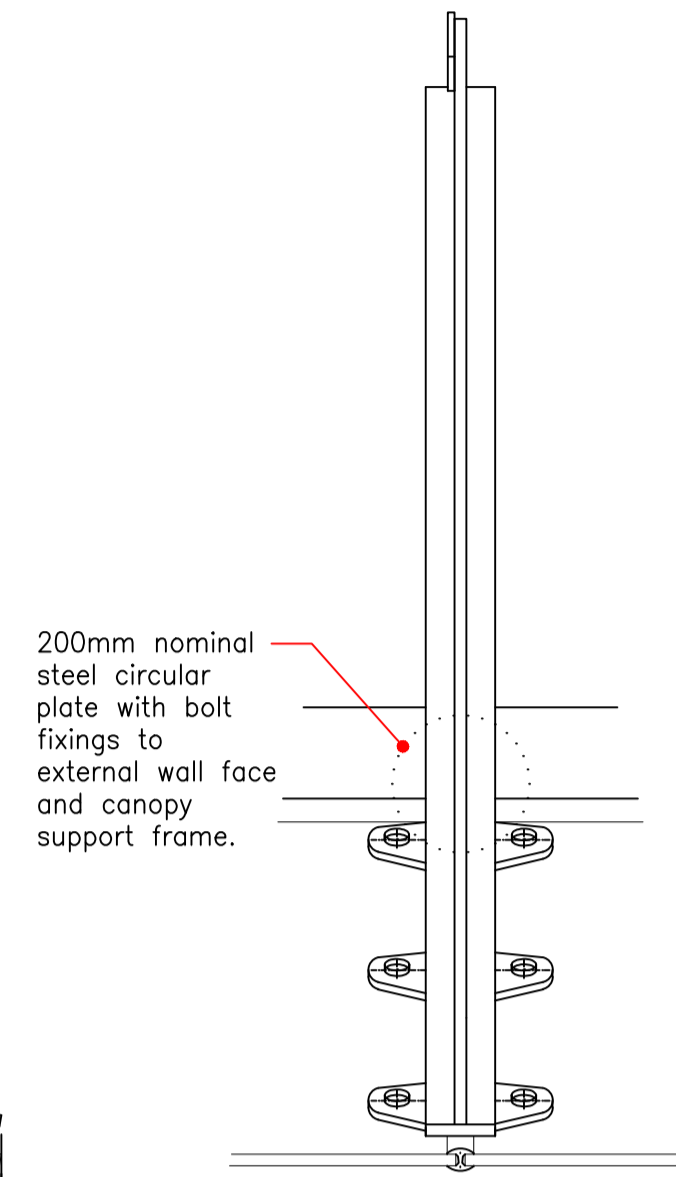
Proposed typical canopy - detail A

Scale 1:10

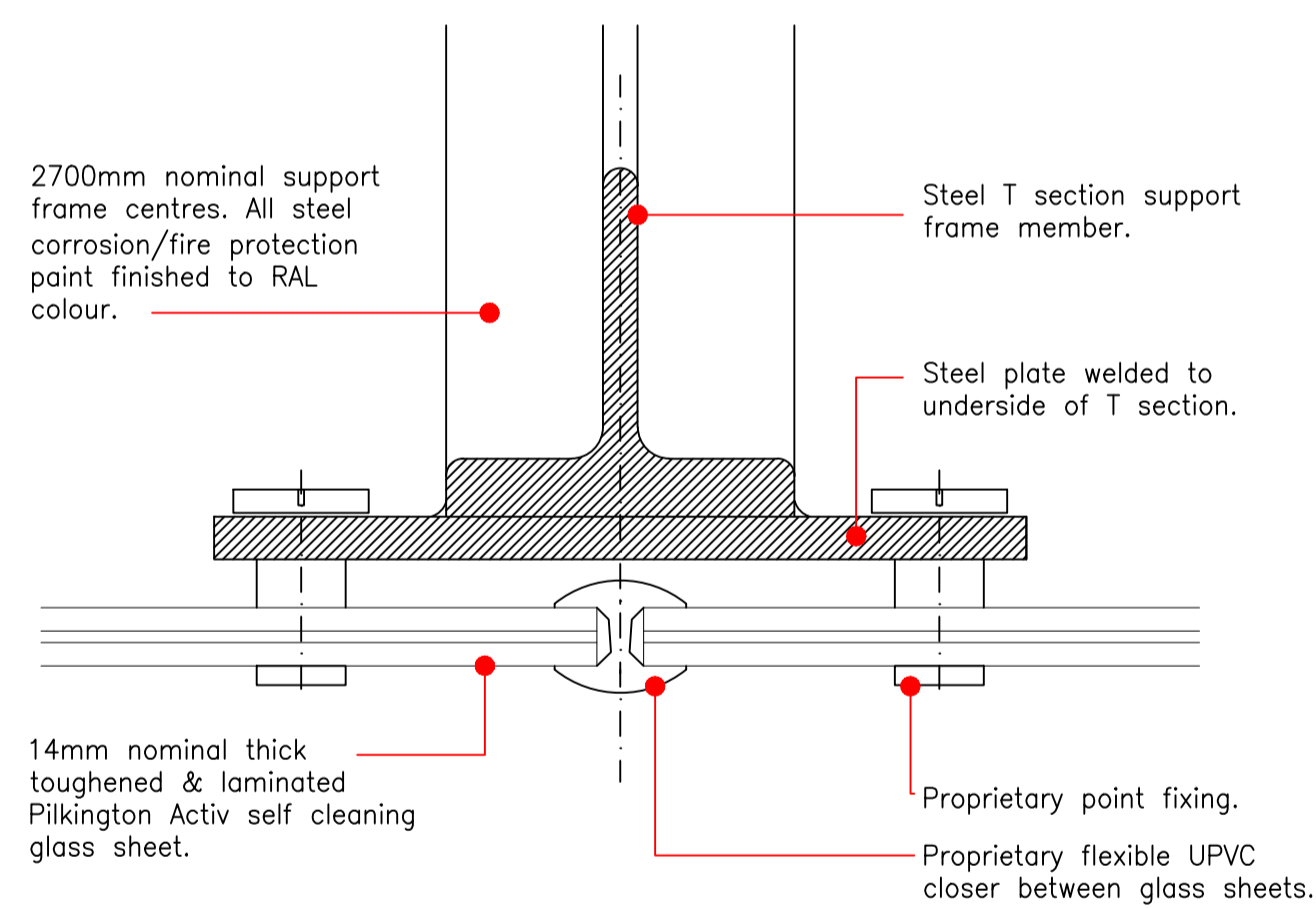


Proposed typical canopy - section

Scale 1:10

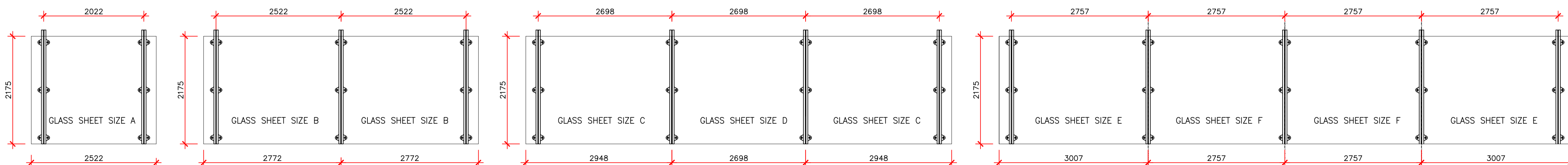


200mm nominal steel circular plate with bolt fixings to external wall face and canopy support frame.



Proposed canopy glass fixing - section

Scale 1:2



Proposed canopy configurations (glass sheet sizes & support frame centres)

Scale 1:50

Camden Stables Market
London
NW1
United Kingdom

STANLEY SIDINGS LTD

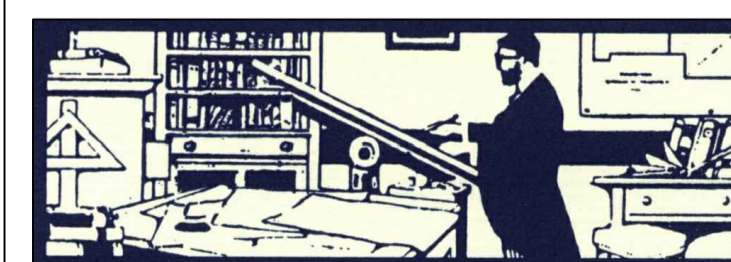
Camden Stables Market
PROVENDER STORE (BLOCK B)

Drawing Title
Proposed Canopy Details.

Scale 1:50 @ A1

Drawing Status
For Planning

October 2014 Drawing No
B-Ca-03



STEPHEN LEVRANT HERITAGE ARCHITECTURE
62 British Grove, London, W4 2NL
E-mail: info@heritagemail.co.uk