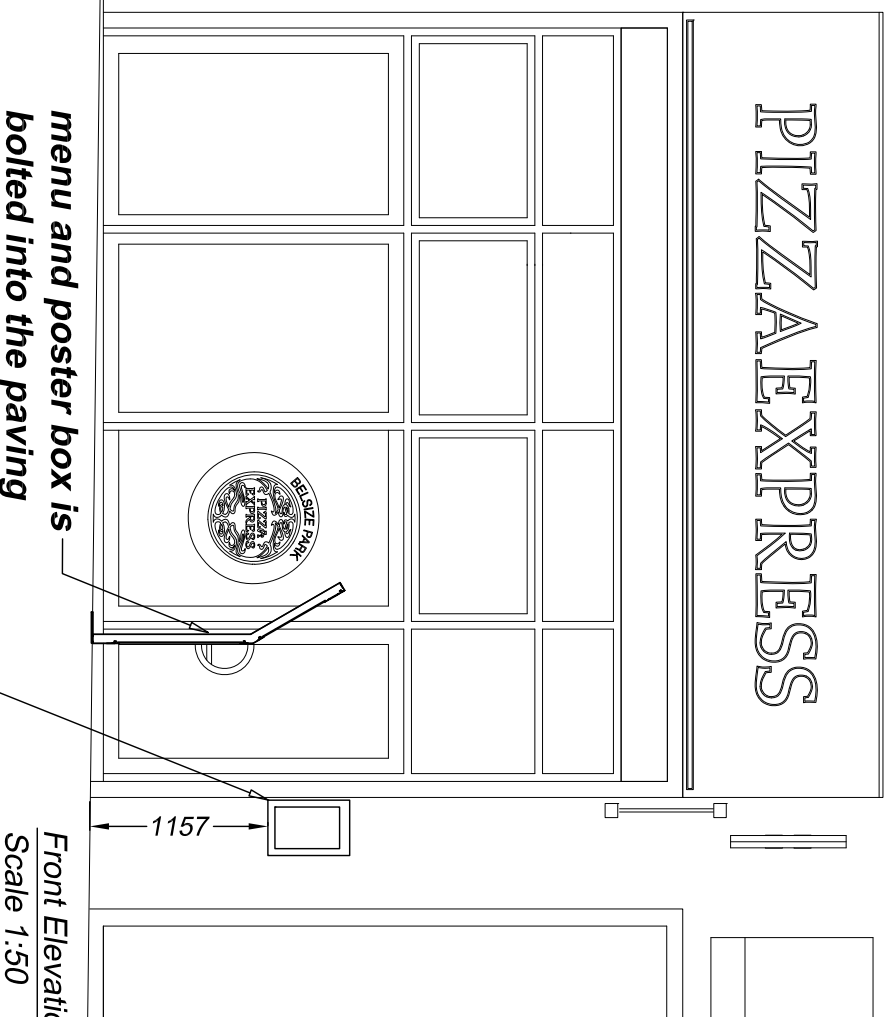


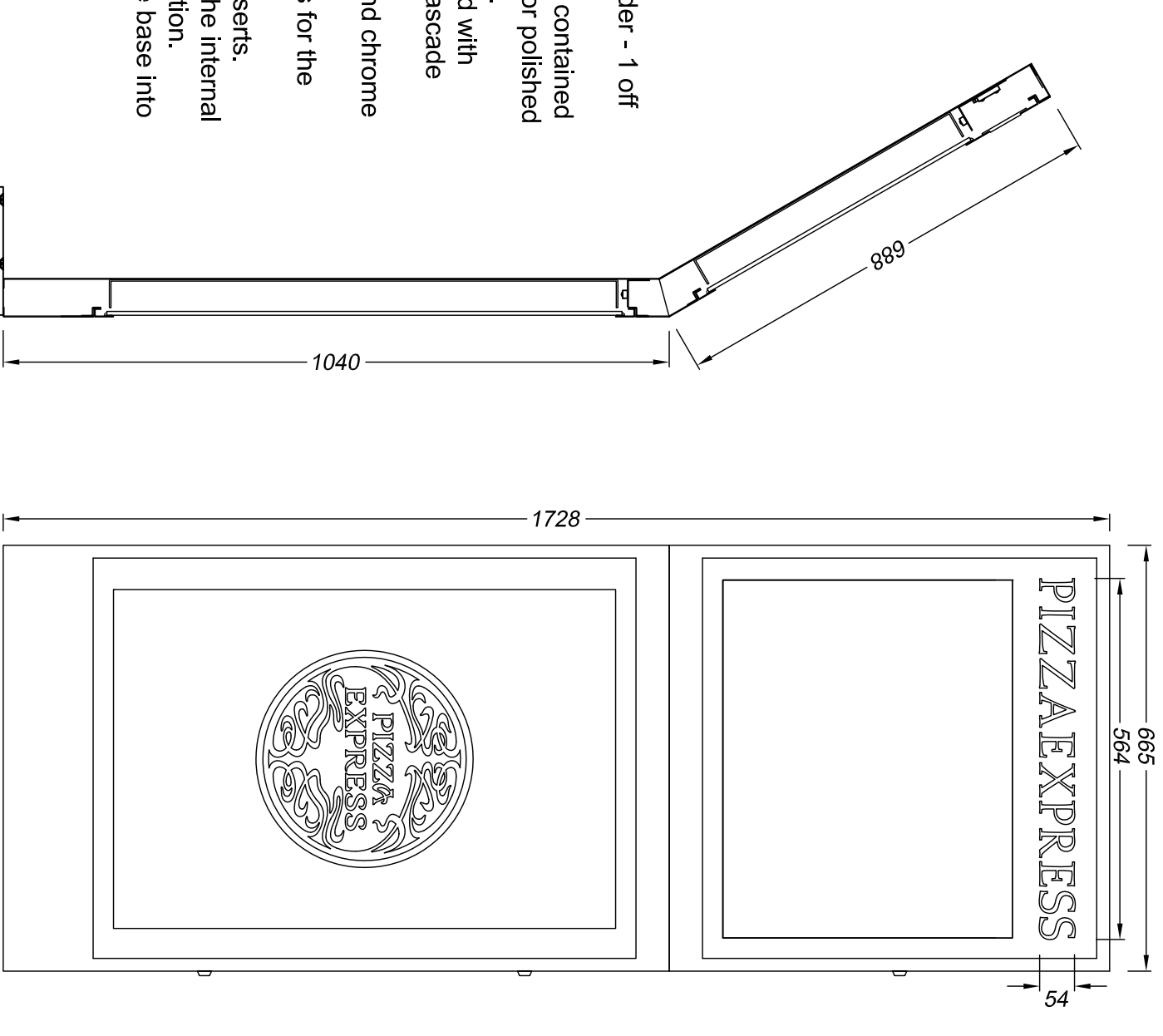
Existing



Front Elevation
Scale 1:50

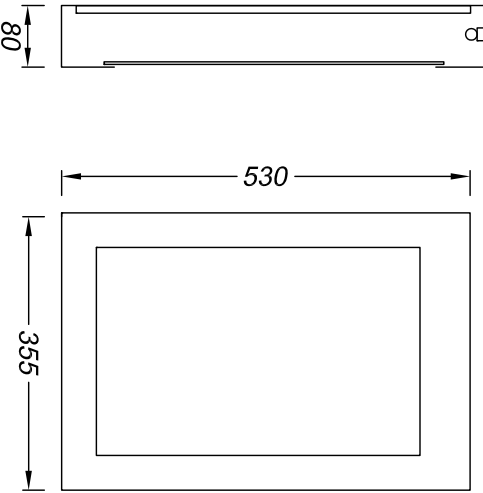
menu and poster box is bolted into the paving
position of wall mounted menu

Menu and poster holder - 1 off
Scale 1:10
Menu and poster are contained in folded 1.2mm mirror polished stainless steel boxes.
Fret cut text is backed with push through 5mm cascade blue acrylic.
Hinged front doors and chrome locks.
6mm laminated glass for the windows.
Blue cloth covered inserts.
White LEDs around the internal perimeter for illumination.
Rawl bolt through the base into the paving.

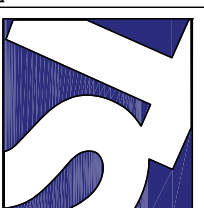


Wall mounted menu - 1 off
Scale 1:10

1.2mm brushed stainless steel front and hinged back.
Steel continuous hinge and standard cam lock.
Window backed up with a 6mm clear toughened glass panel.
Blue 750 acrylic menu insert holder.
Fluorescent tube in the top recess.



A Whole application altered 13/10/14



Technical Signs
Floor 1 - Unit 3
Hille Business Centre
132 St Albans Road
Watford, Herts, WD24 4AE
Tel: 01923 811999
Fax: 01923 811998
E-mail: info@technicalsigns.co.uk

Client: Pizza Express

Address/job details

194a Haverstock Hill

Belsize Park

NW3 2AJ

Existing Signs

Job No

Drawn by DN

Date 01/09/14

Scale As specified (A3)

Drawing No 438702-1

Rev A