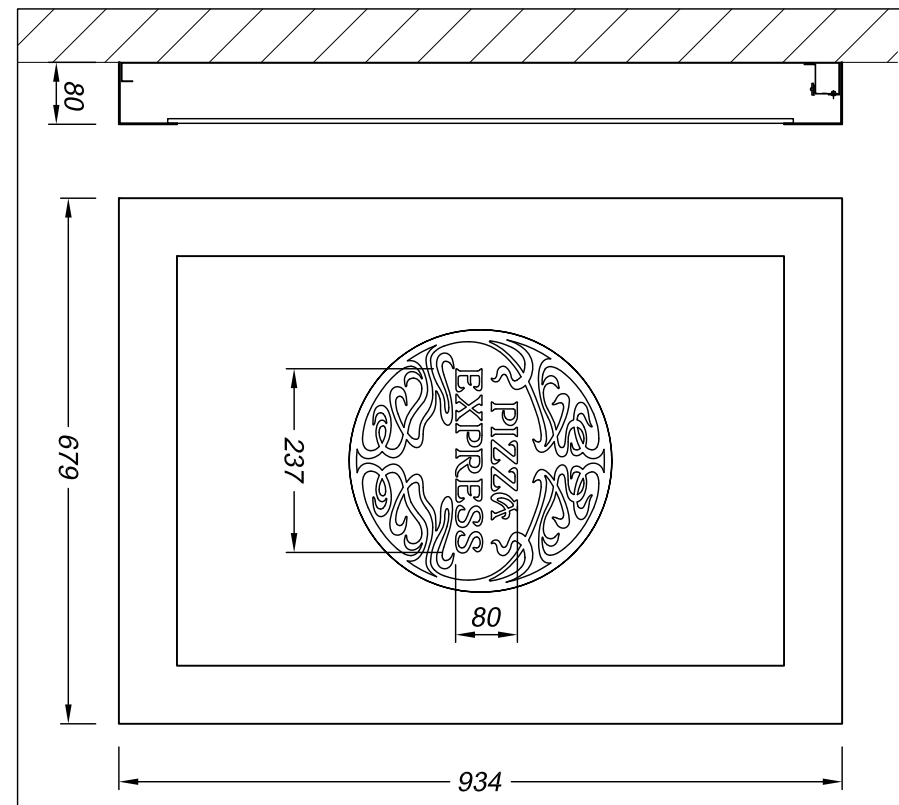
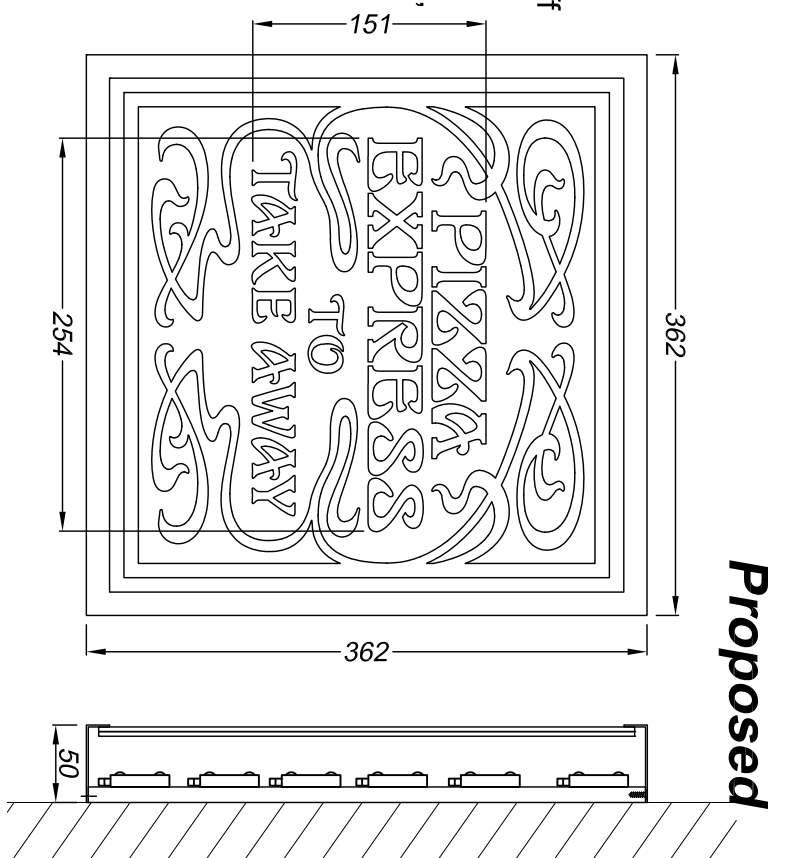


Front Elevation  
Scale 1:50

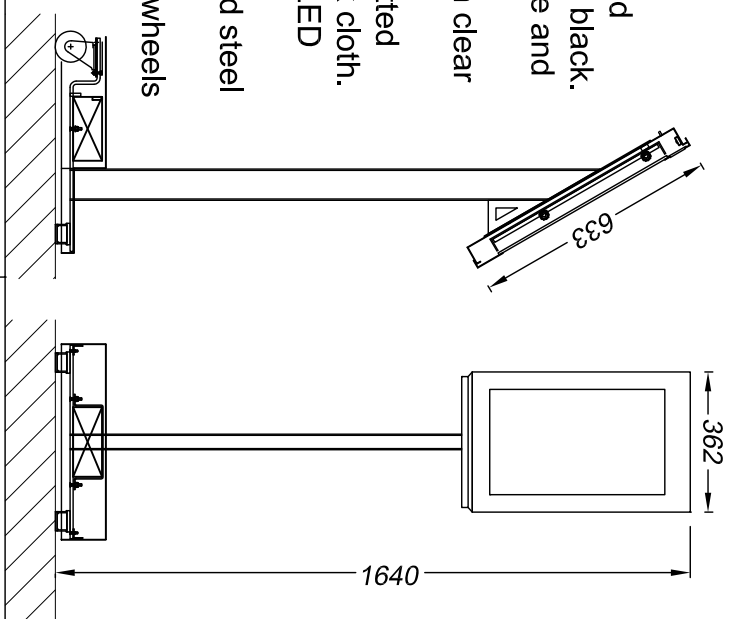


Wall mounted poster holder - 1 off  
Scale 1:10  
Poster holder manufactured from folded 1.2mm descaled stainless steel which is finished satin black. 6mm clear acrylic face. Low energy white LEDs are fitted in the top and bottom recesses for internal illumination.  
Screw fixed to the wall.

Wall mounted take away sign - 1 off  
Scale 1:5  
Take away sign has a 1.2mm descaled stainless steel face frame, returns and back which are all finished satin black.  
Front is a 6mm toughened glass panel which is backed by a 5mm 040 opal acrylic panel which has a black and white vinyl print.  
Back is fitted with low energy white LEDs for internal illumination.  
Screw fixed to the wall.



Free standing menu - 1 off  
Scale 1:20  
Folded and welded 1.2mm descaled stainless steel box is finished satin black. Box is fitted with a continuous hinge and standard slam locks.  
Window to be backed up with 6mm clear toughened glass panel.  
Insert from 3mm 050 opal acrylic fitted with a pin board finished with black cloth.  
Menu fitted with low energy white LED chips in the top recess.  
Menu fixes to a 80x40mm RHS mild steel post finished satin black.  
The steel base is fitted with caster wheels and a rechargeable battery.



- B Survey measurements included 20/10/14
- Menu altered
- A Whole application altered 13/10/14



Technical Signs  
Floor 1 - Unit 3  
Hille Business Centre  
132 St Albans Road  
Watford, Herts, WD24 4AE  
Tel: 01923 811999  
Fax: 01923 811998  
E-mail: info@technicalsigns.co.uk

Client Pizza Express

Address/job details  
194a Haverstock Hill  
Beisize Park  
NW3 2AU

Proposed Signs

Job No	
Drawn by	DN
Date	01/09/14
Scale	As specified (A3)
Drawing No	438702-4
Rev	B