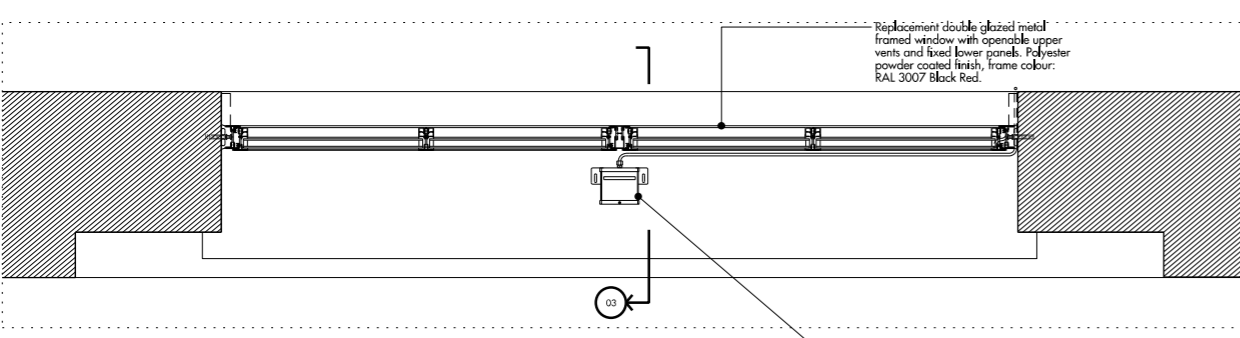
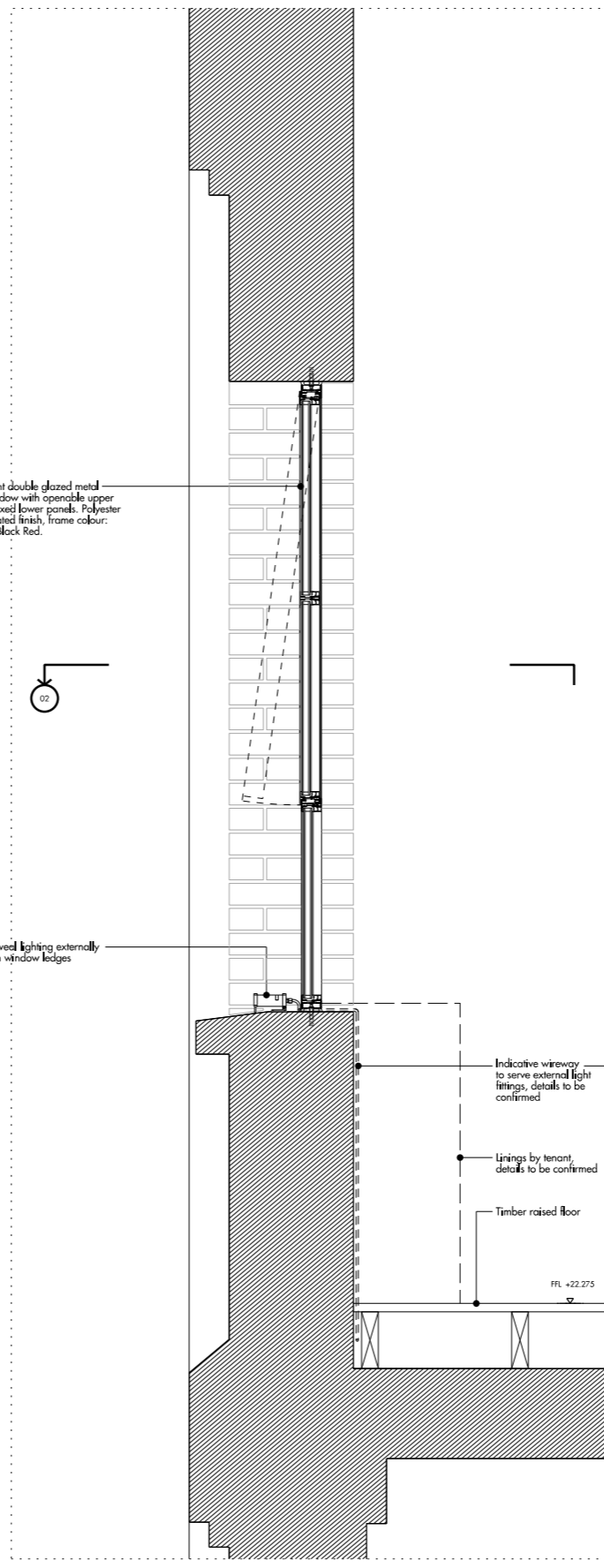


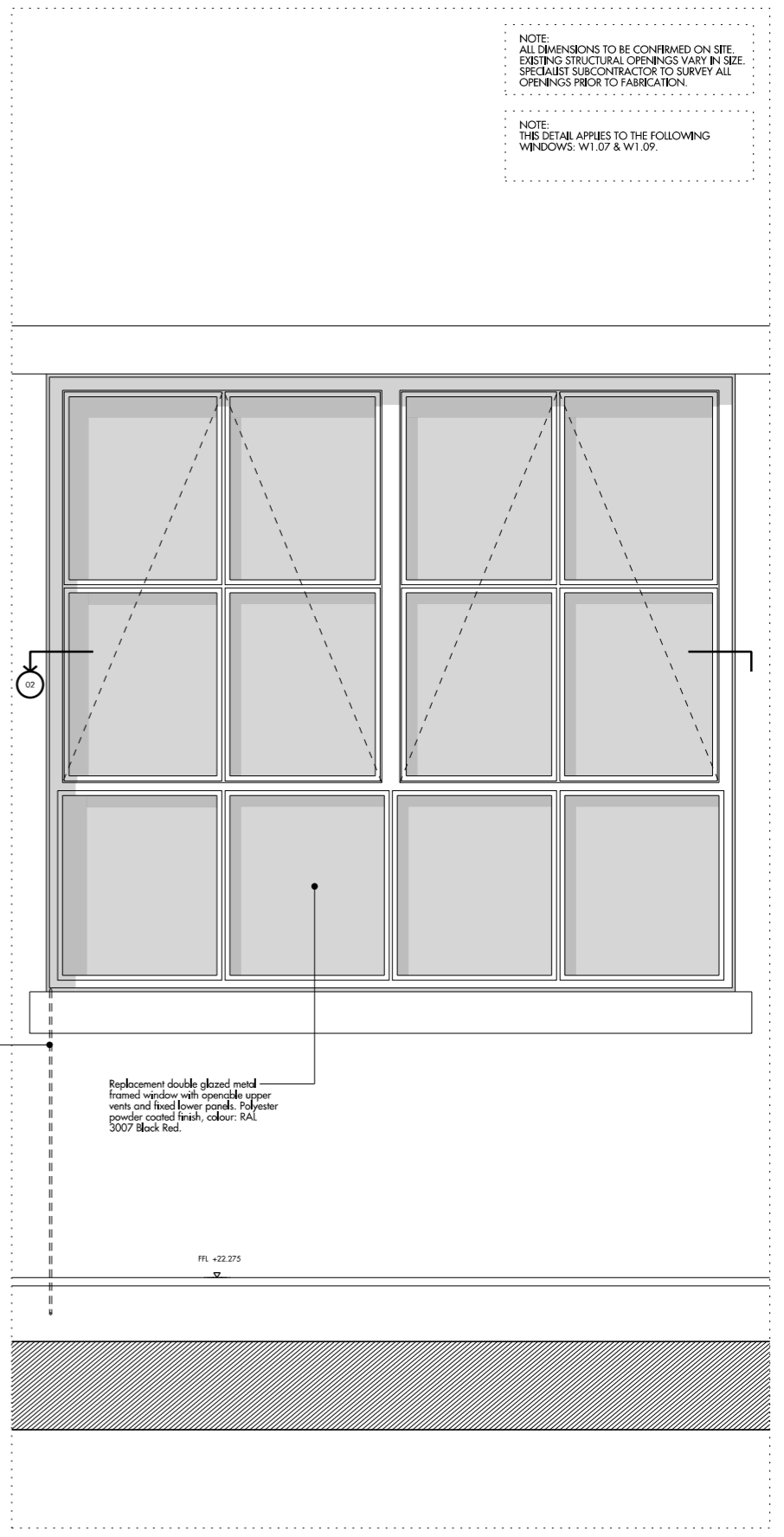
01 External Elevation



02 Plan



03 Section



04 Internal Elevation

NOTE:
ALL DIMENSIONS TO BE CONFIRMED ON SITE.
EXISTING STRUCTURAL OPENINGS VARY IN SIZE.
SPECIALIST SUBCONTRACTOR TO SURVEY ALL
OPENINGS PRIOR TO FABRICATION.

NOTE:
THIS DETAIL APPLIES TO THE FOLLOWING
WINDOWS: W1.07 & W1.09.

Replacement double glazed metal framed window with operable upper vents and fixed lower panels. Polyester powder coated finish, frame colour: RAL 3007 Black Red.

Window reveal lighting externally mounted on window ledges

Indicative wireway to serve external light fittings, details to be confirmed

Fixings by tenant, details to be confirmed

Timber raised floor

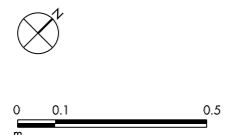
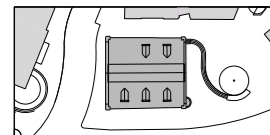
FFL +22.275

Replacement double glazed metal framed window with operable upper vents and fixed lower panels. Polyester powder coated finish, colour: RAL 3007 Black Red.

FFL +22.275

FOR APPROVAL

Existing Fabric



| REV | DATE | DESCRIPTION | CKD | REV | DATE | DESCRIPTION | CKD | REV | DATE | DESCRIPTION | CKD |
|-----|----------|----------------|-----|-----|------|-------------|-----|-----|------|-------------|-----|
| P1 | 04.04.14 | PLANNING ISSUE | IT | | | | | | | | |
| | | | | | | | | | | | |
| | | | | | | | | | | | |
| | | | | | | | | | | | |
| | | | | | | | | | | | |

Allies and Morrison
85 Southwark Street
London SE1 0HX
telephone 020 7921 0100
facsimile 020 7921 0101
email info@alliesandmorrison.com
A&M JOB NO: 786

GERMAN GYMNASIUM RESTAURANT
BAY STUDY - CASEMENT WINDOWS - TYPE 1
PLANNING
786_07_610
SCALE 1:10 @A1 1:20@A3

P1
Revision