



8 Chester Place
RevB
Proposed Luminaire Specification

Hand-built & bespoke British lighting

The Light Corporation

Unit 3, Northbridge Road
Berkhamstead, Hertfordshire, HP4 1EF

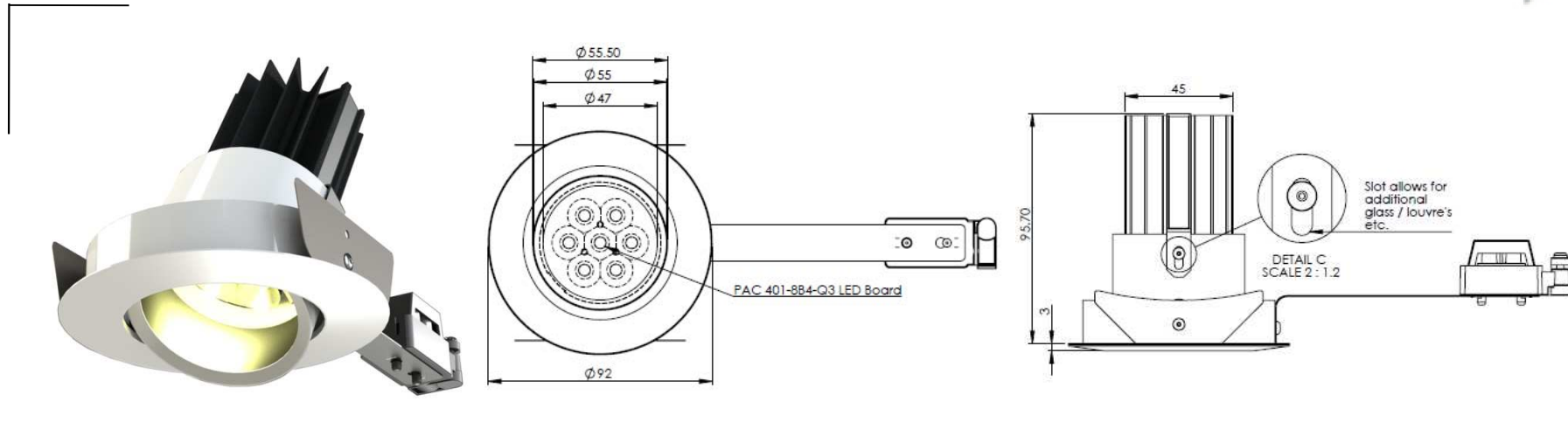
T: 01442 216200
F: 01442 873136
E: info@lightcorporation.com

IMPORTANT NOTE:

• ALL DIMENSIONS, ESPECIALLY CUTOUT DIMENSIONS, MUST BE CONFIRMED PRIOR TO WORKS COMMENCING ON SITE.

• ANY IMAGES PROVIDED ARE INDICATIVE, AND MAY NOT REFLECT THE COLOUR OR FINISH OF THE ACTUAL FITTING PROPOSED, OR SHOW ITEMS SUCH AS ACCESSORIES, LAMPS OR TRANSFORMERS WHICH MAY BE INCLUDED IN OUR COSTINGS AND BE REQUIRED TO OPERATE THE FITTING.

©The Light Corporation 2012



Description / Notes A new low cost, high specification adjustable LED downlight offering the very best LED package in a classic Light Corporation designed downlight. The light source is set behind a black anti-glare baffle to reduce peripheral sparkle, and can be tilted to 30° from the vertical and rotated 359°. Available with 12°, 19° or 36° optics. The SRA can be specified to take a sandblasted diffusion lens, softening lens, coloured filter or honeycombe louvre if required.	Light Output Data Table			Product Code D8000 802 Lamp Bespoke TLC Designed 7 way CREE XP-E 2,700°k array Dimensions 92mm Ø x 100mm (D) Cutout 85mm Ø Finishes Available in all TLC standard painted & plated finishes + RAL colours Accessories Remote phase (mains) dim LED driver <i>Hand Built in the UK</i>	
	* Up to 75 lumens per watt	Driven Current in mA (& Wattage)			
		350 (7W)	500 (10w)		700 (15w)
	12°	524lm*	705lm		913lm
	19°	513lm	690lm		894lm
36°	491lm	659lm	854lm		



TBC

Description / Notes:

Specified by client

Product Code:

Finish:

Cut-out:

Dimensions:

Accessories:

Wiring:

Voltage :

Wattage:

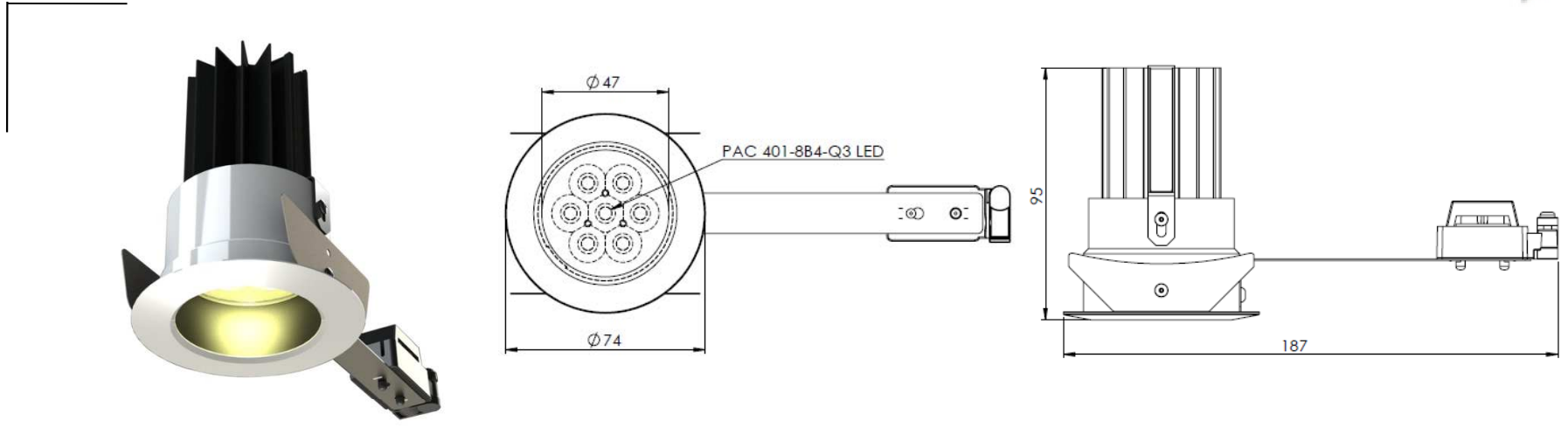
Lamp Type:

IP Rating:

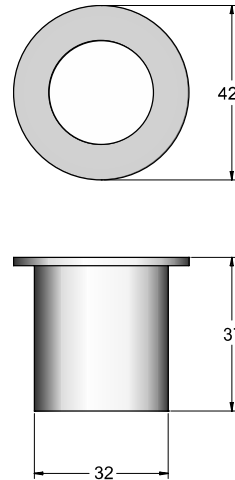
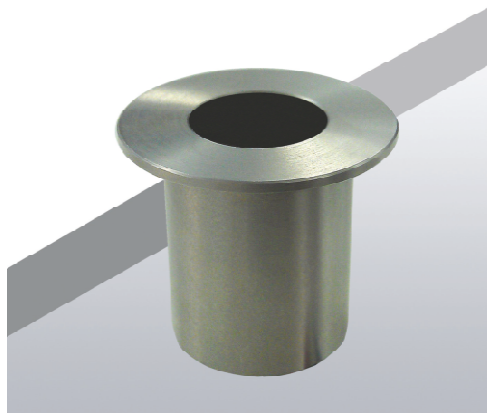
IMPORTANT NOTE:

*ALL DIMENSIONS, ESPECIALLY CUTOUT DIMENSIONS, MUST BE CONFIRMED PRIOR TO WORKS COMMENCING ON SITE.

* ANY IMAGES PROVIDED ARE INDICATIVE, AND MAY NOT REFLECT THE COLOUR OR FINISH OF THE ACTUAL FITTING PROPOSED, OR SHOW ITEMS SUCH AS ACCESSORIES, LAMPS OR TRANSFORMERS WHICH MAY BE INCLUDED IN OUR COSTINGS AND BE REQUIRED TO OPERATE THE FITTING.



Description / Notes A new low cost, high specification fixed LED downlight offering the very best LED package in a classic Light Corporation designed downlight. The light source is set behind a black anti-glare baffle to reduce peripheral sparkle. Available with 12°, 19° or 36° optics. The SRF can be specified to take a sandblasted diffusion lens increasing the IP rated to IP54, softening lens, coloured filter or honeycombe louvre if required.	Light Output Data Table			Product Code D8100 802 Lamp Bespoke TLC Designed 7 way CREE XP-E 2,700°k array Dimensions 92mm Ø x 100mm (D) Cutout 65mm Ø Finishes Available in all TLC standard painted & plated finishes + RAL colours Accessories Remote phase (mains) dim LED driver <i>Hand Built in the UK</i>	
	Driven Current in mA (& Wattage)				
	* Up to 75 lumens per watt	350 (7W)	500 (10w)		700 (15w)
	12°	524lm*	705lm		913lm
	19°	513lm	690lm		894lm
36°	491lm	659lm	854lm		

**Description / Notes:**

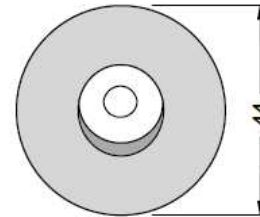
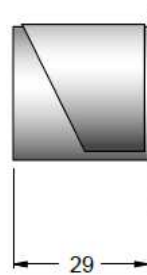
Exquisitely turned, in-ground, solid stainless steel uplight that incorporates a fixed 1w or 3w super bright LED, utilising the finest optics available. Featuring a walk-on, clear toughened glass lens. Suitable for both interior and exterior applications. Our shallowest, eminently useable LED uplight in the range. Supplied with a 500mm flying lead. Now supplied with a baffle to cut down glare and maximise visual comfort.

Product Code: M3020 901
Finish: Brushed Stainless
Cut-out: 35mmØ
Dimensions: 42mm Ø x 37mm (D)
Accessories: 350mA Driver
Wiring: SERIES
Voltage : 350mA
Wattage: 1.2w
Lamp Type: Dedicated LED Board
IP Rating: IP66

IMPORTANT NOTE:

*ALL DIMENSIONS, ESPECIALLY CUTOUT DIMENSIONS, MUST BE CONFIRMED PRIOR TO WORKS COMMENCING ON SITE.

* ANY IMAGES PROVIDED ARE INDICATIVE, AND MAY NOT REFLECT THE COLOUR OR FINISH OF THE ACTUAL FITTING PROPOSED, OR SHOW ITEMS SUCH AS ACCESSORIES, LAMPS OR TRANSFORMERS WHICH MAY BE INCLUDED IN OUR COSTINGS AND BE REQUIRED TO OPERATE THE FITTING.

**Description / Notes:**

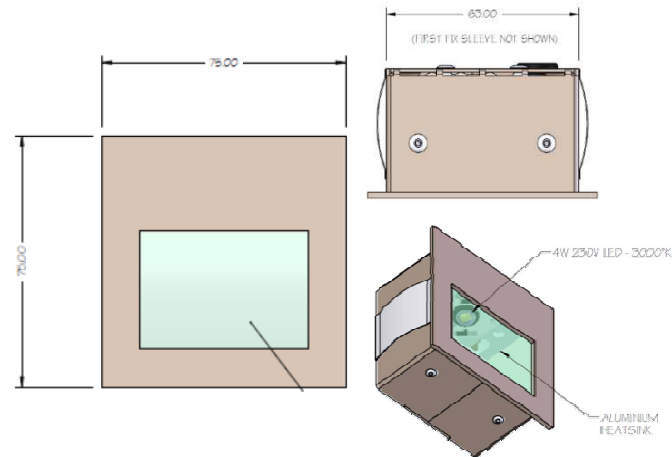
Exquisite miniature in-wall low level wash light utilising a 1W LED super-bright light source in warm white colour temperature and various beam widths. Manufactured from marine-grade stainless steel or steel and fixed at 20° from the horizontal. Used to create subtle low-level lighting effects in walkways, in circulation areas and as a feature marker for changes of level. Fed by a remote driver.

Product Code: W3043 ###
Finish: TBC
Cut-out: 34mmØ
Dimensions: 44mm Ø x 29mm (D)
Accessories: 350mA Driver
Wiring: SERIES
Voltage : 350mA
Wattage: 1.2w
Lamp Type: Dedicated LED Board
IP Rating: IP54

IMPORTANT NOTE:

*ALL DIMENSIONS, ESPECIALLY CUTOUT DIMENSIONS, MUST BE CONFIRMED PRIOR TO WORKS COMMENCING ON SITE.

* ANY IMAGES PROVIDED ARE INDICATIVE, AND MAY NOT REFLECT THE COLOUR OR FINISH OF THE ACTUAL FITTING PROPOSED, OR SHOW ITEMS SUCH AS ACCESSORIES, LAMPS OR TRANSFORMERS WHICH MAY BE INCLUDED IN OUR COSTINGS AND BE REQUIRED TO OPERATE THE FITTING.



Description / Notes:

Recessed low level LED interior wash light with low-glare asymmetrical reflector

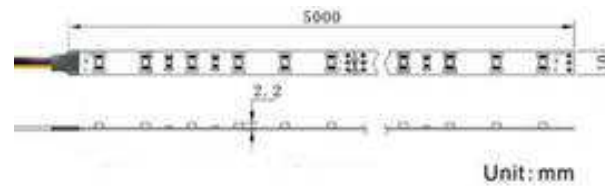
Supplied with a first fix mounting collar
 High brightness warm white LED emitter
 No LED Driver required - 240v LED
 Mains dimmable – no 0-10v signal required
 Part L Compliant

Product Code: ##
Finish: TBC
Cut-out: 67mm (W) x 67mm (H)
Dimensions: 78mm (W) x 78mm (H)
Accessories: First fix mounting sleeve (included)
Wiring: PARALLEL
Voltage : 220v – 240v
Wattage: 4w
Lamp Type: Dedicated LED Board
IP Rating: IP20

IMPORTANT NOTE:

*ALL DIMENSIONS, ESPECIALLY CUTOUT DIMENSIONS, MUST BE CONFIRMED PRIOR TO WORKS COMMENCING ON SITE.

* ANY IMAGES PROVIDED ARE INDICATIVE, AND MAY NOT REFLECT THE COLOUR OR FINISH OF THE ACTUAL FITTING PROPOSED, OR SHOW ITEMS SUCH AS ACCESSORIES, LAMPS OR TRANSFORMERS WHICH MAY BE INCLUDED IN OUR COSTINGS AND BE REQUIRED TO OPERATE THE FITTING.

**Description / Notes:**

A 24v flexi LED solution for lighting effects in covings, stairs, walls, under table cavities etc. The strip is populated with 120 LED's per metre and is encased in an IP65 resin. Available in RGB (colour change), cool & warm white colour temperature with a light output of 4.8w per metre. Adhesive back to ensure ease of installation.

- Supplied on 5m rolls
- 120 LEDs per metre
- 4.8w per metre,
- Dimmable using an OT-DIM 0-10v interface.
- 10w, 25w, 60w, 100w & 150w 24v DC LED Drivers Available

Product Code:

Finish: Warm White
Cut-out: n/a
Dimensions: 10mm (W) x 4mm (H)
Accessories: 24v LED driver
Wiring: PARALLEL
Voltage : 24v
Wattage: 4.8w p/m
Lamp Type: LED Strip
IP Rating: IP65

The Light Corporation

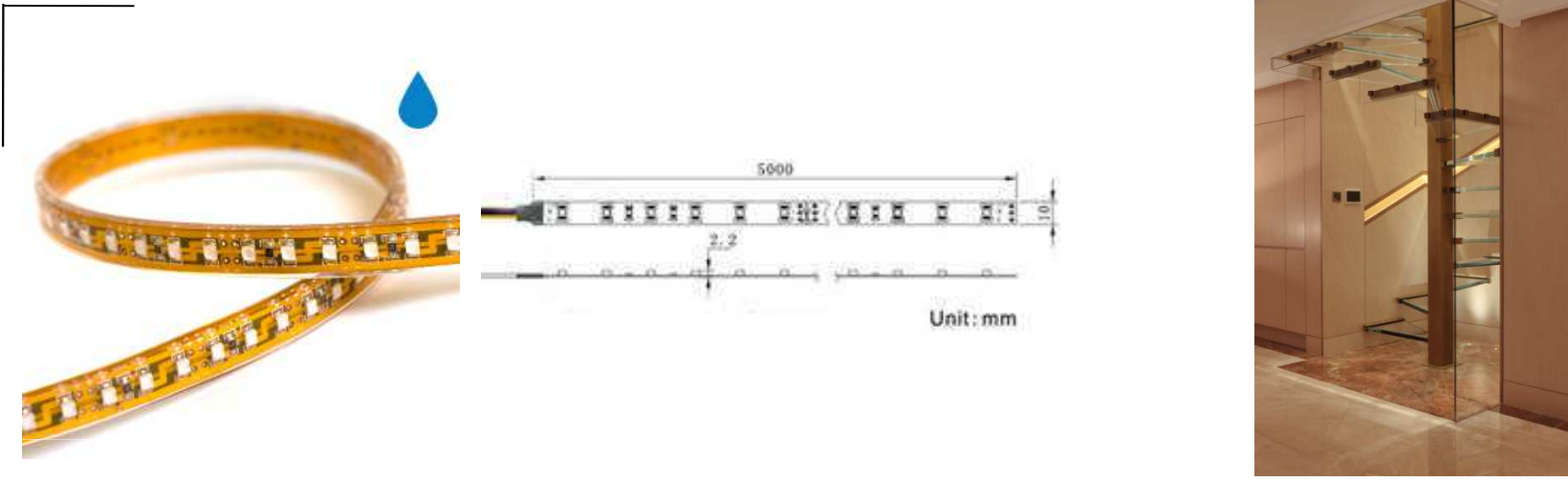
Unit 3, Northbridge Road
 Berkhamstead, Hertfordshire, HP4 1EF

T: 01442 216200
 F: 01442 873136
 E: info@lightcorporation.com

IMPORTANT NOTE:

*ALL DIMENSIONS, ESPECIALLY CUTOUT DIMENSIONS, MUST BE CONFIRMED PRIOR TO WORKS COMMENCING ON SITE.

* ANY IMAGES PROVIDED ARE INDICATIVE, AND MAY NOT REFLECT THE COLOUR OR FINISH OF THE ACTUAL FITTING PROPOSED, OR SHOW ITEMS SUCH AS ACCESSORIES, LAMPS OR TRANSFORMERS WHICH MAY BE INCLUDED IN OUR COSTINGS AND BE REQUIRED TO OPERATE THE FITTING.



Description / Notes:

A 24v flexi LED solution for lighting effects in covings, stairs, walls, under table cavities etc. The strip is populated with 120 LED's per metre and is encased in an IP65 resin. Available in RGB (colour change), cool & warm white colour temperature with a light output of 4.8w per metre. Adhesive back to ensure ease of installation.

- Supplied on 5m rolls
- 120 LEDs per metre
- 4.8w per metre,
- Dimmable using an OT-DIM 0-10v interface.
- 10w, 25w, 60w, 100w & 150w 24v DC LED Drivers Available

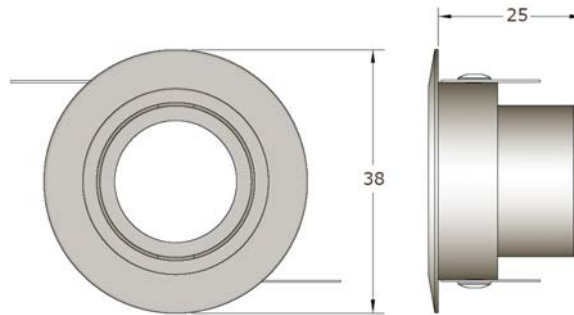
Product Code:

- Finish:** Warm White
- Cut-out:** n/a
- Dimensions:** 10mm (W) x 4mm (H)
- Accessories:** 24v LED driver
- Wiring:** PARALLEL
- Voltage :** 24v
- Wattage:** 4.8w p/m
- Lamp Type:** LED Strip
- IP Rating:** IP65

IMPORTANT NOTE:

*ALL DIMENSIONS, ESPECIALLY CUTOUT DIMENSIONS, MUST BE CONFIRMED PRIOR TO WORKS COMMENCING ON SITE.

* ANY IMAGES PROVIDED ARE INDICATIVE, AND MAY NOT REFLECT THE COLOUR OR FINISH OF THE ACTUAL FITTING PROPOSED, OR SHOW ITEMS SUCH AS ACCESSORIES, LAMPS OR TRANSFORMERS WHICH MAY BE INCLUDED IN OUR COSTINGS AND BE REQUIRED TO OPERATE THE FITTING.

**Description / Notes:**

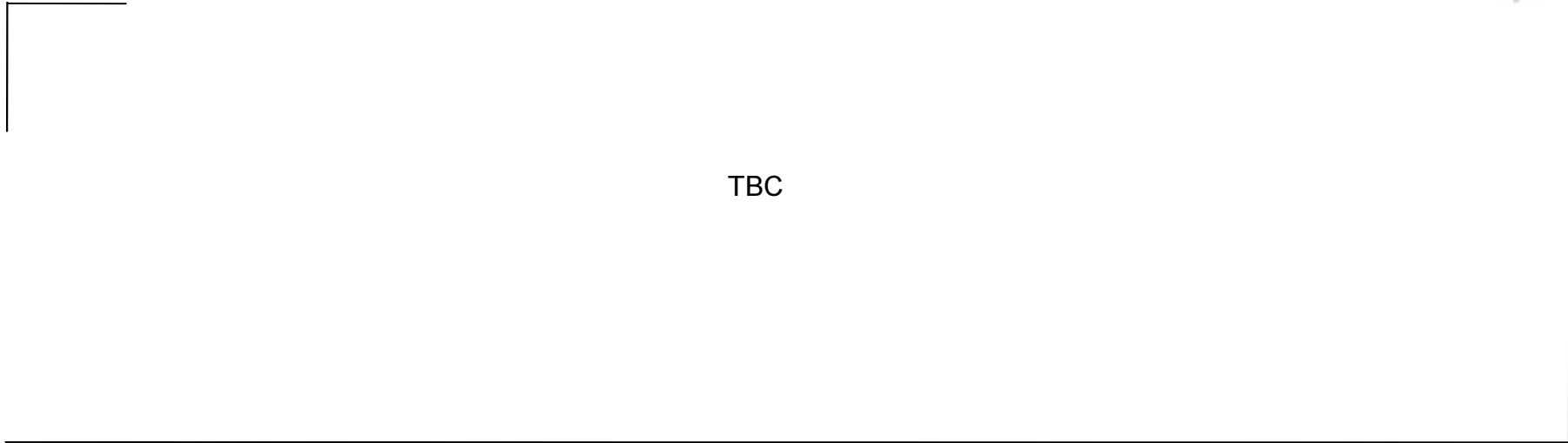
Substantially smaller than the original Sunbeam, beautifully turned and machined in aluminium, this directional recessed LED downlight utilises a 1 watt Oslon LED providing various colour temperatures of white and a choice of beam widths. Ideal for creative lighting effects and areas where space is at a premium.

Product Code:	##
Finish:	TBC
Cut-out:	34mmØ
Dimensions:	38mm Ø x 25mm (H)
Accessories:	350mA mains dimmable/0-10v driver
Wiring:	SERIES
Voltage :	350mA
Wattage:	1w
Lamp Type:	Dedicated LED board
IP Rating:	IP54

IMPORTANT NOTE:

*ALL DIMENSIONS, ESPECIALLY CUTOUT DIMENSIONS, MUST BE CONFIRMED PRIOR TO WORKS COMMENCING ON SITE.

* ANY IMAGES PROVIDED ARE INDICATIVE, AND MAY NOT REFLECT THE COLOUR OR FINISH OF THE ACTUAL FITTING PROPOSED, OR SHOW ITEMS SUCH AS ACCESSORIES, LAMPS OR TRANSFORMERS WHICH MAY BE INCLUDED IN OUR COSTINGS AND BE REQUIRED TO OPERATE THE FITTING.



TBC

Description / Notes:

Specified by client

Product Code:

Finish:

Cut-out:

Dimensions:

Accessories:

Wiring:

Voltage :

Wattage:

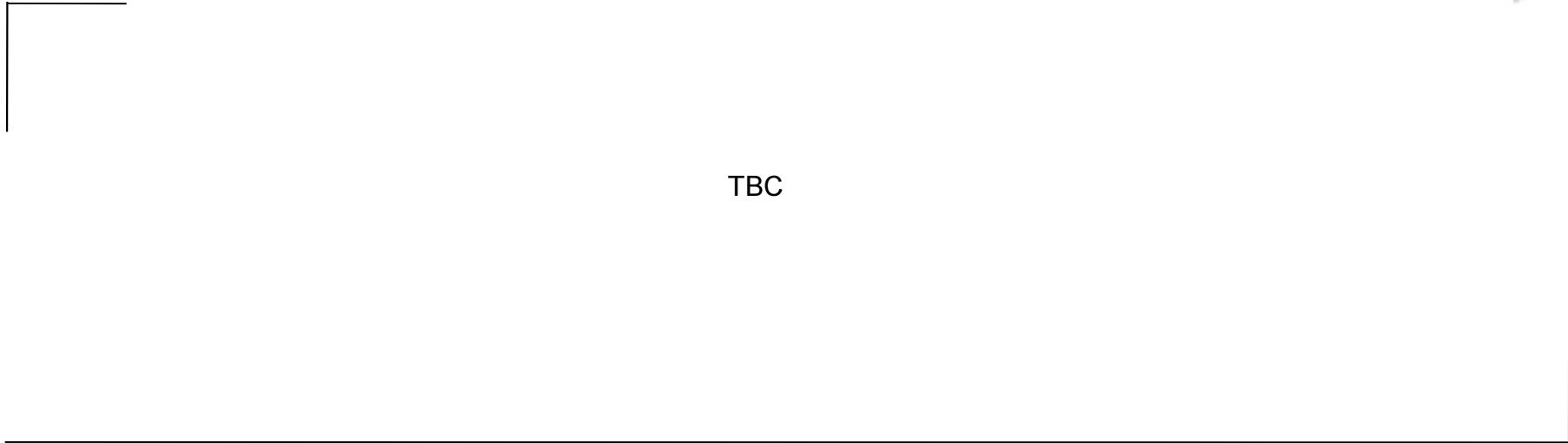
Lamp Type:

IP Rating:

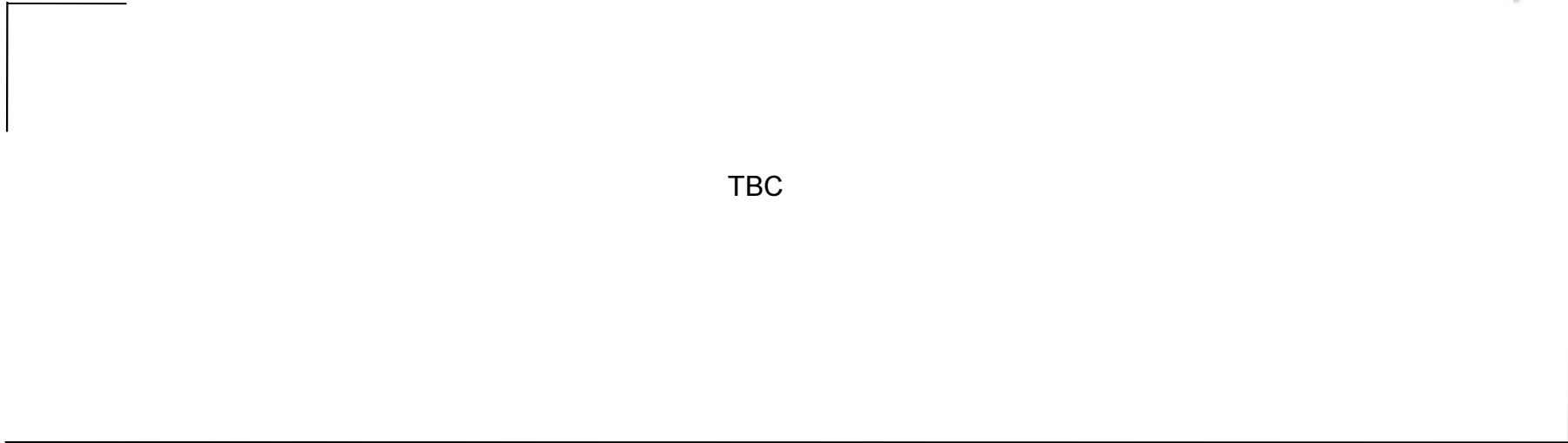
IMPORTANT NOTE:

*ALL DIMENSIONS, ESPECIALLY CUTOUT DIMENSIONS, MUST BE CONFIRMED PRIOR TO WORKS COMMENCING ON SITE.

* ANY IMAGES PROVIDED ARE INDICATIVE, AND MAY NOT REFLECT THE COLOUR OR FINISH OF THE ACTUAL FITTING PROPOSED, OR SHOW ITEMS SUCH AS ACCESSORIES, LAMPS OR TRANSFORMERS WHICH MAY BE INCLUDED IN OUR COSTINGS AND BE REQUIRED TO OPERATE THE FITTING.



<p>Description / Notes:</p> <p>Specified by client</p>	<p>Product Code: Finish: Cut-out: Dimensions: Accessories: Wiring: Voltage : Wattage: Lamp Type: IP Rating:</p>
---	---



TBC

Description / Notes:

Specified by client

Product Code:

Finish:

Cut-out:

Dimensions:

Accessories:

Wiring:

Voltage :

Wattage:

Lamp Type:

IP Rating:

IMPORTANT NOTE:

*ALL DIMENSIONS, ESPECIALLY CUTOUT DIMENSIONS, MUST BE CONFIRMED PRIOR TO WORKS COMMENCING ON SITE.

* ANY IMAGES PROVIDED ARE INDICATIVE, AND MAY NOT REFLECT THE COLOUR OR FINISH OF THE ACTUAL FITTING PROPOSED, OR SHOW ITEMS SUCH AS ACCESSORIES, LAMPS OR TRANSFORMERS WHICH MAY BE INCLUDED IN OUR COSTINGS AND BE REQUIRED TO OPERATE THE FITTING.



TBC

Description / Notes:

Specified by client

Product Code:

Finish:

Cut-out:

Dimensions:

Accessories:

Wiring:

Voltage :

Wattage:

Lamp Type:

IP Rating:

IMPORTANT NOTE:

*ALL DIMENSIONS, ESPECIALLY CUTOUT DIMENSIONS, MUST BE CONFIRMED PRIOR TO WORKS COMMENCING ON SITE.

* ANY IMAGES PROVIDED ARE INDICATIVE, AND MAY NOT REFLECT THE COLOUR OR FINISH OF THE ACTUAL FITTING PROPOSED, OR SHOW ITEMS SUCH AS ACCESSORIES, LAMPS OR TRANSFORMERS WHICH MAY BE INCLUDED IN OUR COSTINGS AND BE REQUIRED TO OPERATE THE FITTING.



TBC

Description / Notes:

Specified by client

Product Code:

Finish:

Cut-out:

Dimensions:

Accessories:

Wiring:

Voltage :

Wattage:

Lamp Type:

IP Rating:

IMPORTANT NOTE:

*ALL DIMENSIONS, ESPECIALLY CUTOUT DIMENSIONS, MUST BE CONFIRMED PRIOR TO WORKS COMMENCING ON SITE.

* ANY IMAGES PROVIDED ARE INDICATIVE, AND MAY NOT REFLECT THE COLOUR OR FINISH OF THE ACTUAL FITTING PROPOSED, OR SHOW ITEMS SUCH AS ACCESSORIES, LAMPS OR TRANSFORMERS WHICH MAY BE INCLUDED IN OUR COSTINGS AND BE REQUIRED TO OPERATE THE FITTING.



TBC

Description / Notes:

Specified by client

Product Code:

Finish:

Cut-out:

Dimensions:

Accessories:

Wiring:

Voltage :

Wattage:

Lamp Type:

IP Rating:

IMPORTANT NOTE:

*ALL DIMENSIONS, ESPECIALLY CUTOUT DIMENSIONS, MUST BE CONFIRMED PRIOR TO WORKS COMMENCING ON SITE.

* ANY IMAGES PROVIDED ARE INDICATIVE, AND MAY NOT REFLECT THE COLOUR OR FINISH OF THE ACTUAL FITTING PROPOSED, OR SHOW ITEMS SUCH AS ACCESSORIES, LAMPS OR TRANSFORMERS WHICH MAY BE INCLUDED IN OUR COSTINGS AND BE REQUIRED TO OPERATE THE FITTING.



Description / Notes:

Picture Light

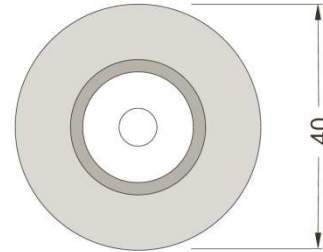
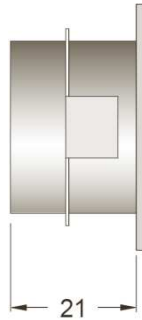
Indicative image

Product Code: ##
Finish: ####
Cut-out: N/A
Dimensions: TBC
Accessories: LED Driver
Wiring: TBC
Voltage : N/A
Wattage: TBC
Lamp Type: TBC
IP Rating: IP54

IMPORTANT NOTE:

*ALL DIMENSIONS, ESPECIALLY CUTOUT DIMENSIONS, MUST BE CONFIRMED PRIOR TO WORKS COMMENCING ON SITE.

* ANY IMAGES PROVIDED ARE INDICATIVE, AND MAY NOT REFLECT THE COLOUR OR FINISH OF THE ACTUAL FITTING PROPOSED, OR SHOW ITEMS SUCH AS ACCESSORIES, LAMPS OR TRANSFORMERS WHICH MAY BE INCLUDED IN OUR COSTINGS AND BE REQUIRED TO OPERATE THE FITTING.

**Description / Notes:**

Exquisite miniature in-ceiling or in-wall round or square bezeled wash light utilising a 1w LED super-bright light source. Supplied with warm white colour temperature LED as standard and various beam widths. Manufactured from marine grade stainless steel or aluminium and fixed at 90 degree from the bezel. Ideal for creating subtle lighting effects in walkways, in circulation areas as a feature marker or at changes of level. 30 degree lens as standard.

Product Code:	##
Finish:	Brushed Stainless
Cut-out:	34mmØ
Dimensions:	40mm Ø x 21mm (H)
Accessories:	350mA LED Driver
Wiring:	SERIES
Voltage :	n/a (350mA Constant Current)
Wattage:	1.2w
Lamp Type:	Dedicated CREE X-PE Warm White LED
IP Rating:	IP54

The Light Corporation

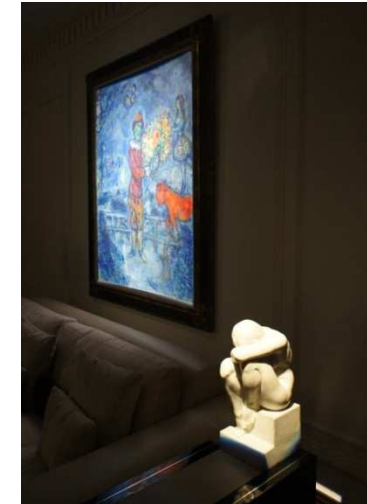
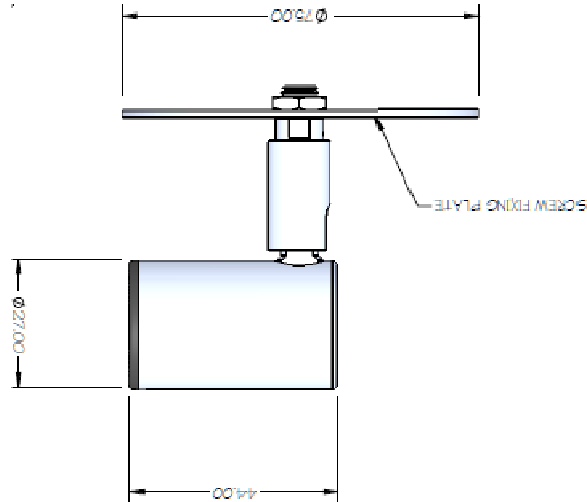
Unit 3, Northbridge Road
Berkhamstead, Hertfordshire, HP4 1EF

T: 01442 216200
F: 01442 873136
E: info@lightcorporation.com

IMPORTANT NOTE:

*ALL DIMENSIONS, ESPECIALLY CUTOUT DIMENSIONS, MUST BE CONFIRMED PRIOR TO WORKS COMMENCING ON SITE.

* ANY IMAGES PROVIDED ARE INDICATIVE, AND MAY NOT REFLECT THE COLOUR OR FINISH OF THE ACTUAL FITTING PROPOSED, OR SHOW ITEMS SUCH AS ACCESSORIES, LAMPS OR TRANSFORMERS WHICH MAY BE INCLUDED IN OUR COSTINGS AND BE REQUIRED TO OPERATE THE FITTING.



Description / Notes:

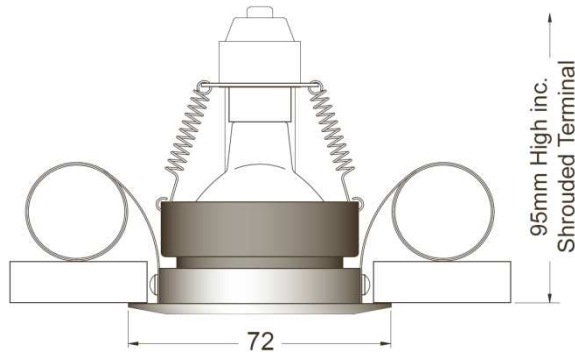
Precision – turned aluminium adjustable IP64 rated spike light.
Sealed clear borosilicate safety glass as standard, Supplied with screw fixing plate as standard.

Product Code: ##
Finish: TBC
Cut-out: N/A
Dimensions: ##
Accessories: ##
Wiring: SERIES
Voltage : 350mA
Wattage: 3w
Lamp Type: Dedicated LED
IP Rating: IP64

IMPORTANT NOTE:

*ALL DIMENSIONS, ESPECIALLY CUTOUT DIMENSIONS, MUST BE CONFIRMED PRIOR TO WORKS COMMENCING ON SITE.

* ANY IMAGES PROVIDED ARE INDICATIVE, AND MAY NOT REFLECT THE COLOUR OR FINISH OF THE ACTUAL FITTING PROPOSED, OR SHOW ITEMS SUCH AS ACCESSORIES, LAMPS OR TRANSFORMERS WHICH MAY BE INCLUDED IN OUR COSTINGS AND BE REQUIRED TO OPERATE THE FITTING.



Description / Notes:

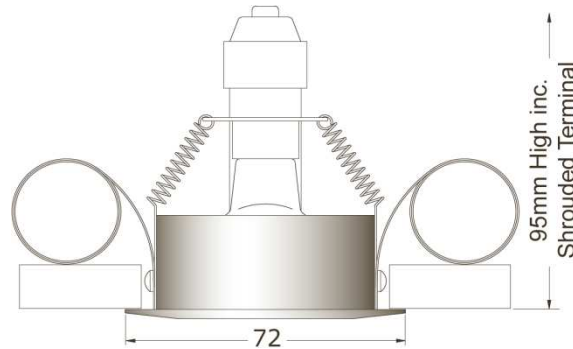
Fixed round miniature recessed downlight. Lamp recessed within an anti-glare baffle producing a dark light effect for visual comfort and minimal glare. Utilises our unique constant torque spring retention system ideal for lath and plaster ceilings of irregular thickness. Easy installation and re-lamping. See 'Other Bits You Will Need' section for glass, louvres, firehoods and LED drivers. LED versions operate via 12v AC power supply.

Product Code:	##
Finish:	TBC
Cut-out:	65mmØ
Dimensions:	72mm Ø x 95mm (H)
Accessories:	12v AC Electronic Dimmable Transformer
Wiring:	PARALLEL
Voltage :	12v
Wattage:	10w
Lamp Type:	12v 10w LED lamp
IP Rating:	IP41

IMPORTANT NOTE:

*ALL DIMENSIONS, ESPECIALLY CUTOUT DIMENSIONS, MUST BE CONFIRMED PRIOR TO WORKS COMMENCING ON SITE.

* ANY IMAGES PROVIDED ARE INDICATIVE, AND MAY NOT REFLECT THE COLOUR OR FINISH OF THE ACTUAL FITTING PROPOSED, OR SHOW ITEMS SUCH AS ACCESSORIES, LAMPS OR TRANSFORMERS WHICH MAY BE INCLUDED IN OUR COSTINGS AND BE REQUIRED TO OPERATE THE FITTING.



Description / Notes:

Fixed round miniature recessed downlight. Ideal for 'wet areas' such as showers, bathrooms and external canopies. Sandblasted borosilicate glass diffuser as standard. Optional clear or coloured lenses available, see 'Other Bits You Will Need' section. Utilises our unique constant torque spring retention system

Product Code:	##
Finish:	TBC
Cut-out:	65mmØ
Dimensions:	72mm Ø x 95mm (H)
Accessories:	12v AC Electronic Dimmable Transformer
Wiring:	PARALLEL
Voltage :	12v
Wattage:	10w
Lamp Type:	12v 10w Retro Fit LED
IP Rating:	IP54

IMPORTANT NOTE:

*ALL DIMENSIONS, ESPECIALLY CUTOUT DIMENSIONS, MUST BE CONFIRMED PRIOR TO WORKS COMMENCING ON SITE.

* ANY IMAGES PROVIDED ARE INDICATIVE, AND MAY NOT REFLECT THE COLOUR OR FINISH OF THE ACTUAL FITTING PROPOSED, OR SHOW ITEMS SUCH AS ACCESSORIES, LAMPS OR TRANSFORMERS WHICH MAY BE INCLUDED IN OUR COSTINGS AND BE REQUIRED TO OPERATE THE FITTING.