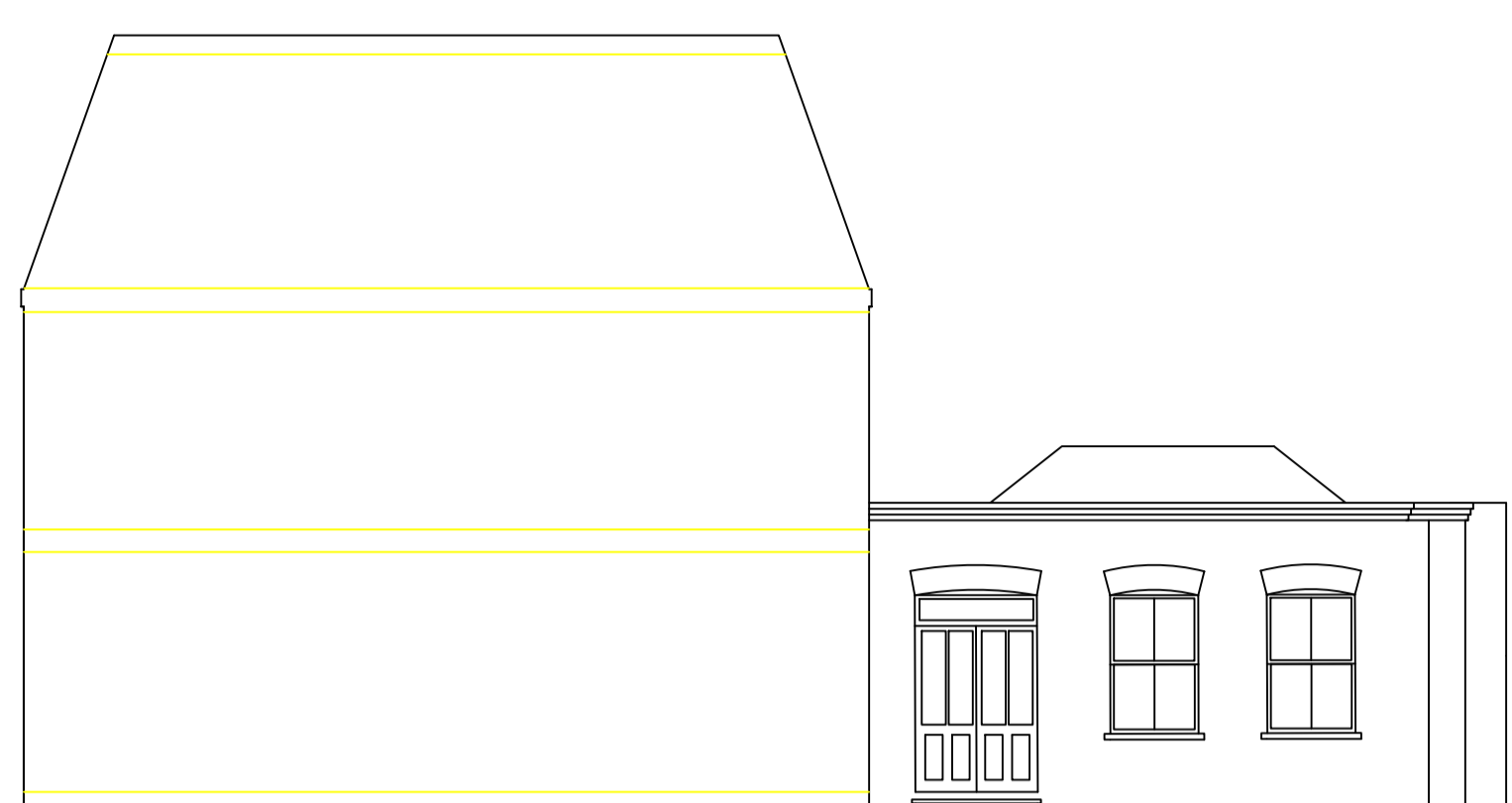
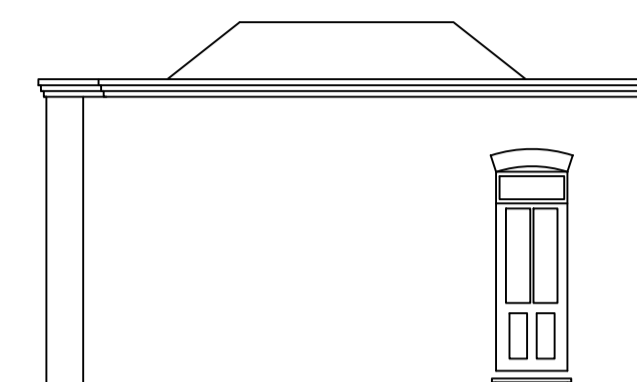


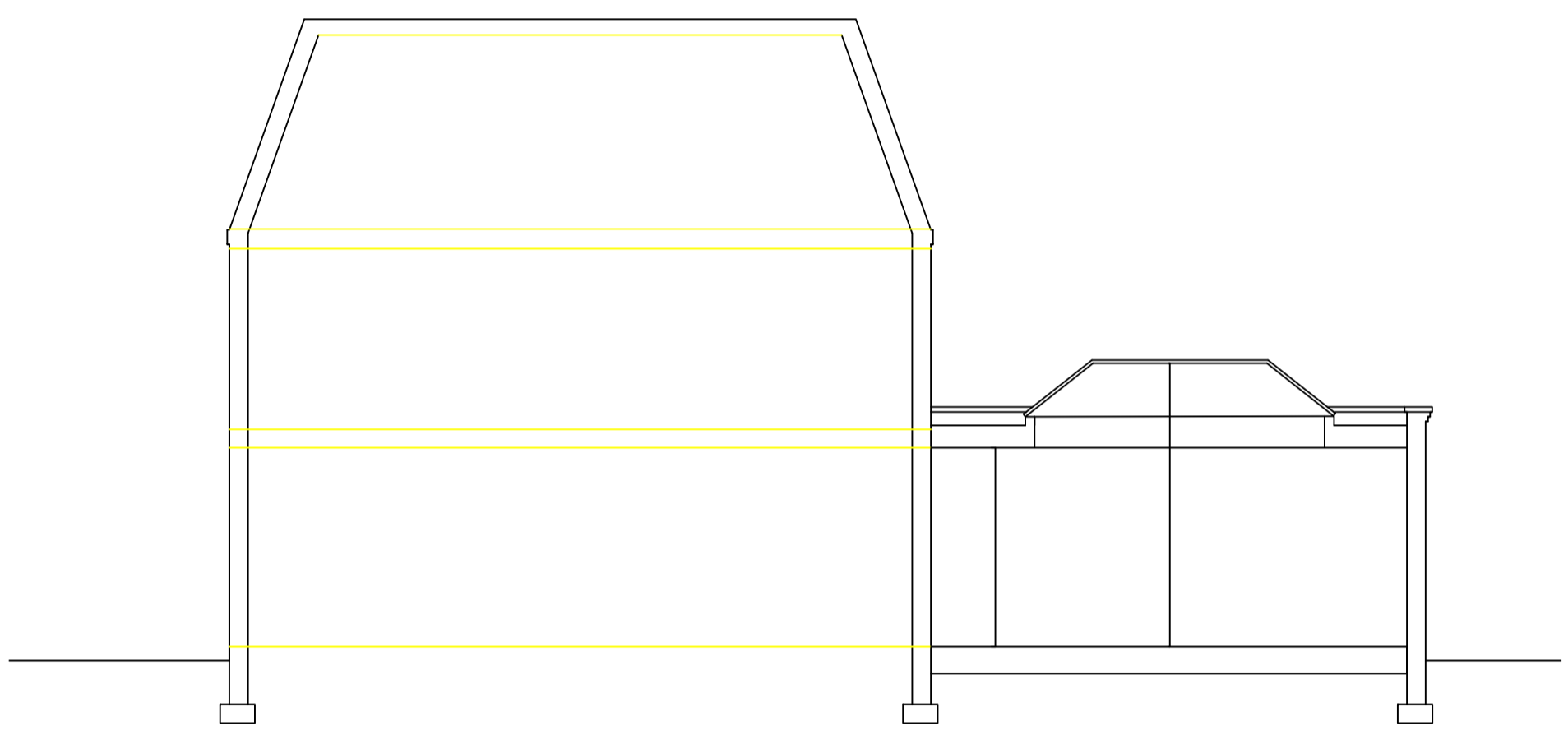
Rear Elevation



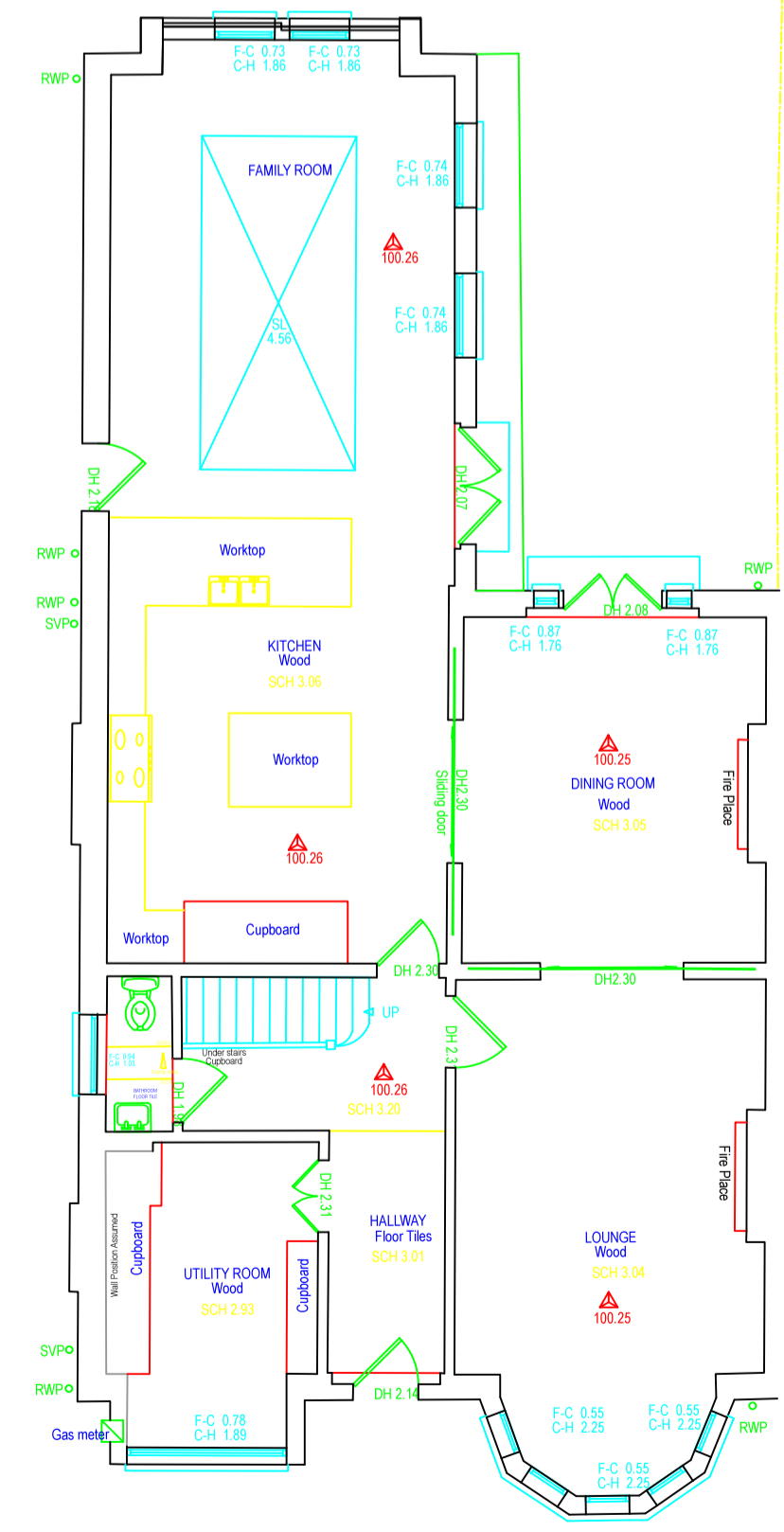
Side Elevation



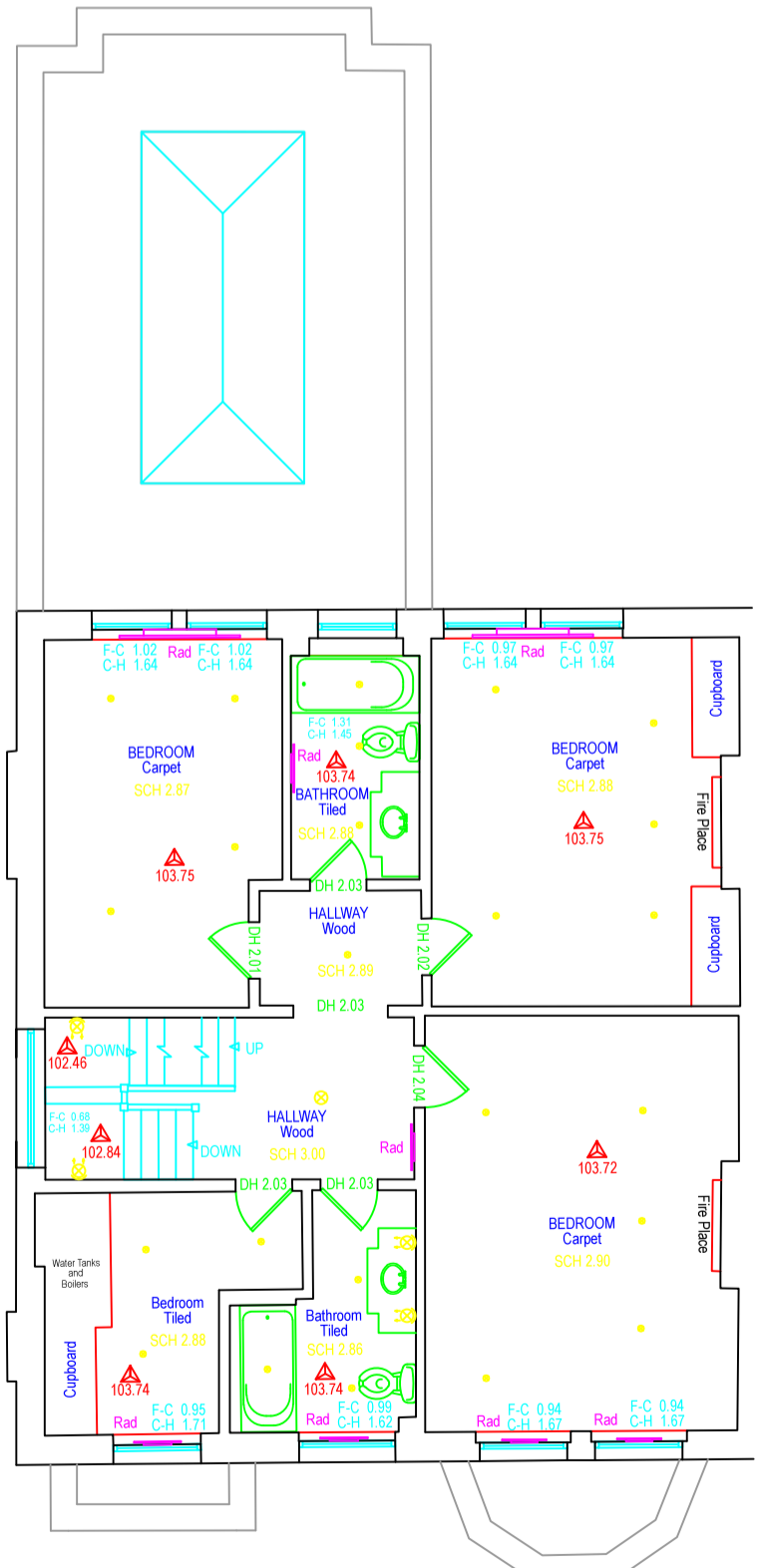
Side Elevation



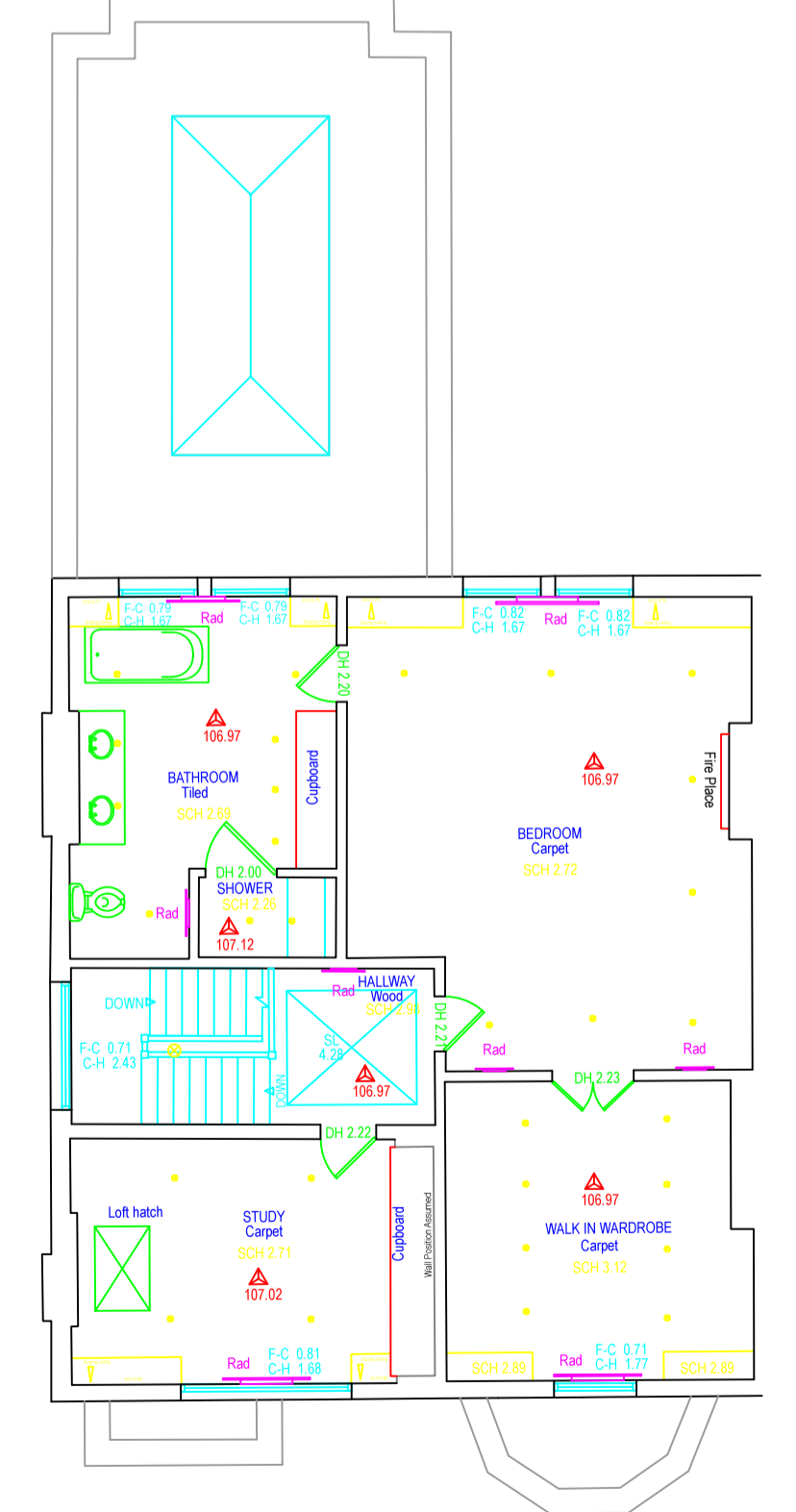
Section



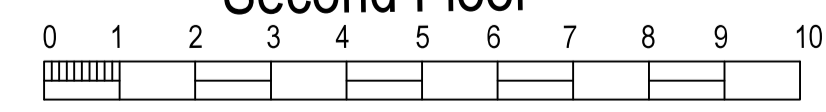
Ground Floor



First Floor/Roof Plan



Second Floor



Notes:

- This drawing is the property of Shalini Misra Limited, no portion reproduced without their written permission.
- The drawing is a reference only, please do not scale
- All dimensions are to be verified on site by contractors and any discrepancies reported to designer.

Client:

Property:  
25 ABERDARE GARDENS  
LONDON  
NW6 3AJ  
Floor:

Title: Date:  
18/07/2014

Scale: Drawn:  
1:100 ON A1

Drawing no: Revision:  
14/25AG/00 00

**Shalini Misra Limited**

93 Hamilton Terrace  
London NW8 9QY  
T : +44 20 7266 6181  
F : +44 20 7266 6182  
Web : www.shalinimisra.com