

RBU/Q005/59999E16 - SEF/02/2A&2B
 British Museum - Smoke Extract
 JM Aerofoil HT (300°C/2)
 HT63JM/25/2/9/12

Fläkt Woods Limited
 Axial Way
 Colchester CO4 5ZD, UK
 Tel: +44 (0) 1206 222555
 Fax: +44 (0) 1206 222777
 www.flaktwoods.com



Product Specification

Requested Duty: 2.70m³/s @ 720Pa (static)
 Actual Duty: 2.82m³/s @ 1104Pa (static) inc idling losses
 Obtained Duty: 104%

Fan Code: HT63JM/25/2/9/12
 Fan Diameter: 630 mm
 Fan Hub Diameter: 250 mm
 Fan Speed: 2 Pole, 2910 rpm

Electrical Supply: 380-420volts 50Hz 3phase
 Rated Motor Power: 6.330 kW
 Full Load Current: 11.660 A
 Starting Current: 76.950 A
 Start Type: Direct on Line

No. of Blades: 9
 Pitch Angle: 12°
 Form of Running: B
 Fan Casing: Long Cased
 Motor Frame Size: (P) 112M

Absorbed Power: 6.258 kW
 Peak Power: 6.250 kW
 Fan Total Efficiency: 52%

High Temp. Cat.: 300°C/2

	Sound Power Level Spectrum (Lw)								L w	LpA @ 3.00m
	63Hz	125Hz	250Hz	500Hz	1KHz	2KHz	4KHz	8KHz		
Inlet	96dB	97dB	101dB	103dB	106dB	105dB	99dB	93dB	111dB	90dB
Outlet	98dB	98dB	101dB	105dB	106dB	105dB	101dB	95dB	112dB	90dB
Breakout	88dB	77dB	75dB	80dB	81dB	78dB	82dB	71dB	91dB	66dB

Special Features

FMEG Rating: 46 (D, Total); Efficiency: 45.2% (3.06m³/s @ 975Pa); Input Power: 6.991kW; SFP Value: 2.56

- Damper loss include within selection, fan suitable for run/stand by in SERIES
- Motor suitable for inverter control

Ancillaries & Price

Ancillaries & Price	Qty	Price	Total
JM Aerofoil HT (300°C/2): HT63JM/25/2/9/12	2.0		
Set of Mounting Feet (2)	2.0		
Spring Anti Vibration Mounts (Set of 4)	2.0		
Matching Flange	2.0		
Flex connector c/w 2 clips	2.0		
Air Operated Damper - Horizontal	1.0		
Key Information White/black/white Traffolyte Labels - Fitted	2.0		
<i>Despatch: 5.0 working weeks</i>			

Performance and Sound Data are to BS 848 parts 1 & 2.

This offer is made subject to the terms and conditions detailed on the accompanying letter.

RBU/Q005/59999E16 - SEF/01/1A+B
 British Museum - Smoke Extract
 JM Aerofoil HT (300°C/2)
 HT40JM/16/2/5/12

Fläkt Woods Limited
 Axial Way
 Colchester CO4 5ZD, UK
 Tel: +44 (0) 1206 222555
 Fax: +44 (0) 1206 222777
 www.flaktwoods.com



Product Specification

Requested Duty: 0.50m³/s @ 400Pa (static)
 Actual Duty: 0.51m³/s @ 471Pa (static) inc idling losses
 Obtained Duty: 101%

Fan Code: HT40JM/16/2/5/12
 Fan Diameter: 400 mm
 Fan Hub Diameter: 160 mm
 Fan Speed: 2 Pole, 2840 rpm

Electrical Supply: 380-420volts 50Hz 3phase
 Rated Motor Power: 1.730 kW
 Full Load Current: 3.650 A
 Starting Current: 19.300 A
 Start Type: Direct on Line

No. of Blades: 5
 Pitch Angle: 12°
 Form of Running: B
 Fan Casing: Long Cased
 Motor Frame Size: (P) 80 IE2

Absorbed Power: 0.519 kW
 Peak Power: 0.591 kW
 Fan Total Efficiency: 47%

High Temp. Cat.: 300°C/2

	Sound Power Level Spectrum (Lw)								L w	LpA @ 3.00m
	63Hz	125Hz	250Hz	500Hz	1KHz	2KHz	4KHz	8KHz		
Inlet	87dB	90dB	94dB	92dB	94dB	88dB	83dB	76dB	100dB	76dB
Outlet	90dB	90dB	96dB	94dB	94dB	90dB	84dB	78dB	101dB	77dB
Breakout	80dB	75dB	76dB	73dB	68dB	61dB	59dB	55dB	83dB	53dB

Special Features

FMEG Rating: 52 (D, Total); Efficiency: 44.5% (0.90m³/s @ 288Pa); Input Power: 0.645kW; SFP Value: 1.35

- Motor suitable for inverter control
 - As no damper requirement is stated on the schedules, we have assumed this selection to be run/stand by in SERIES

- Mesh inlet and outlet guard included as per schedules

- Additional set of belts and pulley not required

We have assumed this fan is for emergency smoke extract only, please clarify this is correct.

Ancillaries & Price

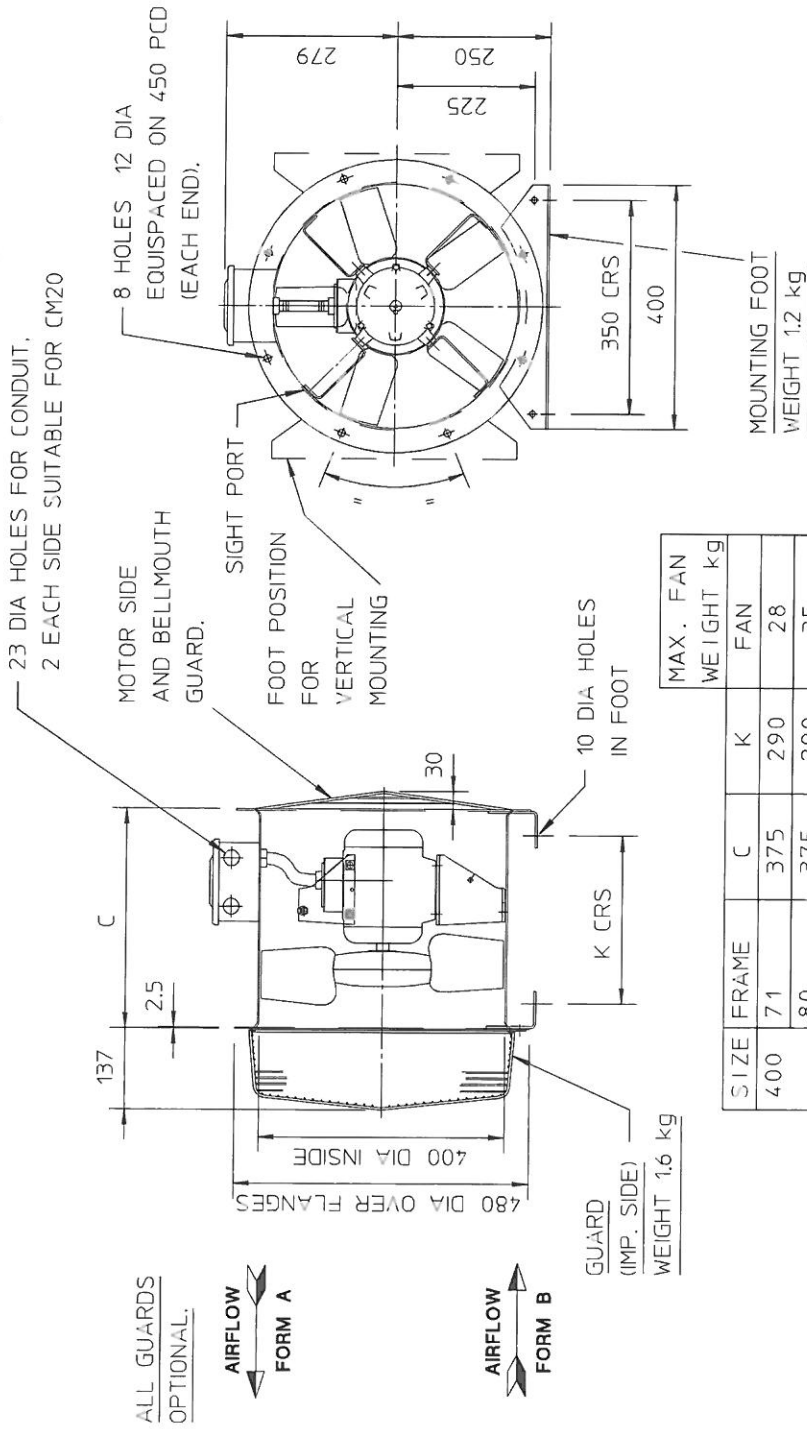
	Qty	Price	Total
EF439230: JM Aerofoil HT (300°C/2): HT40JM/16/2/5/12	2.0		
AS021105: Set of Mounting Feet (2)	2.0		
AS032424: Spring Anti Vibration Mounts (Set of 4) (20mm Deflection)	2.0		
DA074913: Matching Flange	4.0		
AS040400: Flex connector c/w 2 clips	4.0		
248856: Guard - Impeller Side	2.0		
Guard - Motor Side	2.0		
Key Information White/black/white Traffolyte Labels - Fitted	2.0		
<i>Despatch: 3.0 working weeks</i>			

Performance and Sound Data are to BS 848 parts 1 & 2.

This offer is made subject to the terms and conditions detailed on the accompanying letter.

Fläkt Woods Limited Drawing and Dimensions JM Aerofoil

Date: Monday, March 25, 2013
 Fan Code: HT40JM/16/2/5/12
 Item Reference: SEF/01/1A+B
 Project Name: :
 Quotation Number: 59999E16
 Customer: :



SIZE	FRAME	C	K	MAX. FAN WEIGHT kg
400	71	375	290	28
160mm & 200mm hubs.	80	375	290	35
	90S	520	434	50
	90L	520	434	50

Notes : Dimensions shown in mm / Weight in kg
 This drawing shows dimensions that should be used as a guide only and are subject to change. Certified drawings are available on request.

Reference :D275403

AMR/Q005/59999E11 - JEF/00/01
 British Museum - Smoke Extract
 Fan
 71JMETS/31/2/9/39/-/1.0D N

Fläkt Woods Limited
 Axial Way
 Colchester CO4 5ZD, UK
 Tel: +44 (0) 1206 222555
 Fax: +44 (0) 1206 222777
 www.flaktwoods.com



Product Specification

Requested Duty: 850N
 Actual Duty: Forward 775N / Reverse 705N
 Obtained Duty: 102%

Fan Code: 71JMETS/31/2/9/39/-/1.0D N
 Fan Diameter: 710 mm
 Fan Hub Diameter: 315 mm
 Fan Speed: 2 Pole, 2920 rpm

No. of Blades: 9
 Pitch Angle: 39°
 Form of Running: B
 Fan Casing: Long Cased
 Motor Frame Size: 180L IE2

Electrical Supply: 380-420volts 50Hz 3phase
 Rated Motor Power: 40.000 kW
 Full Load Current: 69.700 A
 Starting Current: 530.000 A
 Start Type: Direct on Line

Absorbed Power: 39.700 kW

	63Hz	125Hz	250Hz	500Hz	1KHz	2KHz	4KHz	8KHz		
Forward	100dB	103dB	107dB	110dB	105dB	103dB	99dB	95dB		
Reverse	100dB	103dB	107dB	110dB	105dB	103dB	99dB	95dB		

Special Features

- Direct drive fans therefore additional belts/pulleys not required.

Special RAL paint finish is available upon request, at extra cost.
 RAL number would need to be confirmed to us at time of order.

Ancillaries & Price

	Qty	Price	Total
Fan: 71JMETS/31/2/9/39/-/1.0D N	9.0		
Set of Mounting Feet (3)	9.0		
Spring Anti Vibration Hangers (set of 6)	9.0		
Silencer B1D	18.0		
Bellmouth Inlet/Outlet	9.0		
Key Information White/black/white Traffolyte Labels - Fitted	9.0		

Performance and Sound Data are to BS 848 parts 1 & 2.

This offer is made subject to the terms and conditions detailed on the accompanying letter.

Fläkt Woods Limited
Drawing and Dimensions
Jetfoil - JM-TS Reversible 1D Silencers



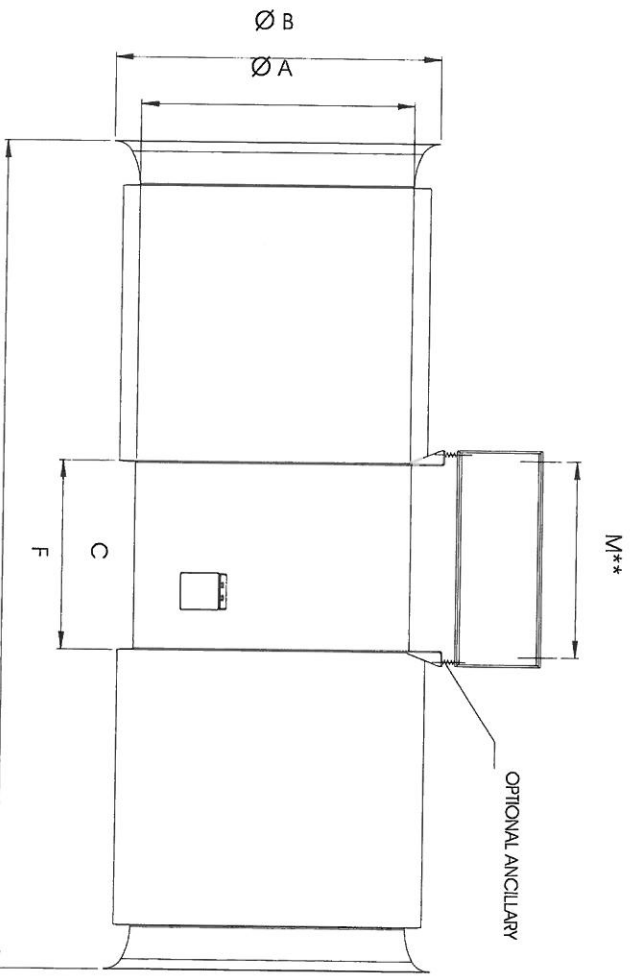
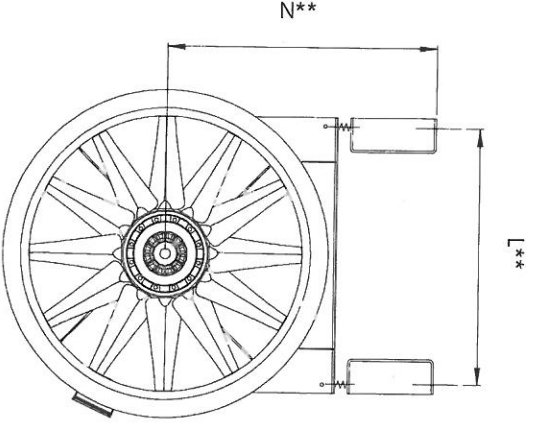
Date: : Friday, April 20, 2012
 Fan Code : 71JM-TS/312/9/36/-1.0D N
 Item Reference: :
 TRULY REVERSIBLE JET FAN WITH 1D SILENCERS

Project Name : British Museum - Smoke Extract
 Quotation Number : 59999E11
 Customer : Michael J Lonsdale Limited

IT IS RECOMMENDED THAT A FLÄKTWOODS FRAME ACCOMPANIES THE JET FAN TO ENSURE A SECURE INSTALLATION. ANTI-VIBRATION MOUNTS ARE AVAILABLE FOR SOFT MOUNTING INSTALLATIONS.

DIMENSIONS DENOTED WITH ** TO BE ADVISED BY FLÄKTWOODS

A	710
B	820
C	765
F	2439
Motor Frame	D180
Unit Weight (kg)	385



Notes : Dimensions shown in mm / Weight in kg
 This drawing shows dimensions that should be used as a guide only and are subject to change. Certified drawings are available on request.

Reference : Catalogue drawing

Axial Way
 Colchester, Essex, CO45ZD
 Tel: Fax: