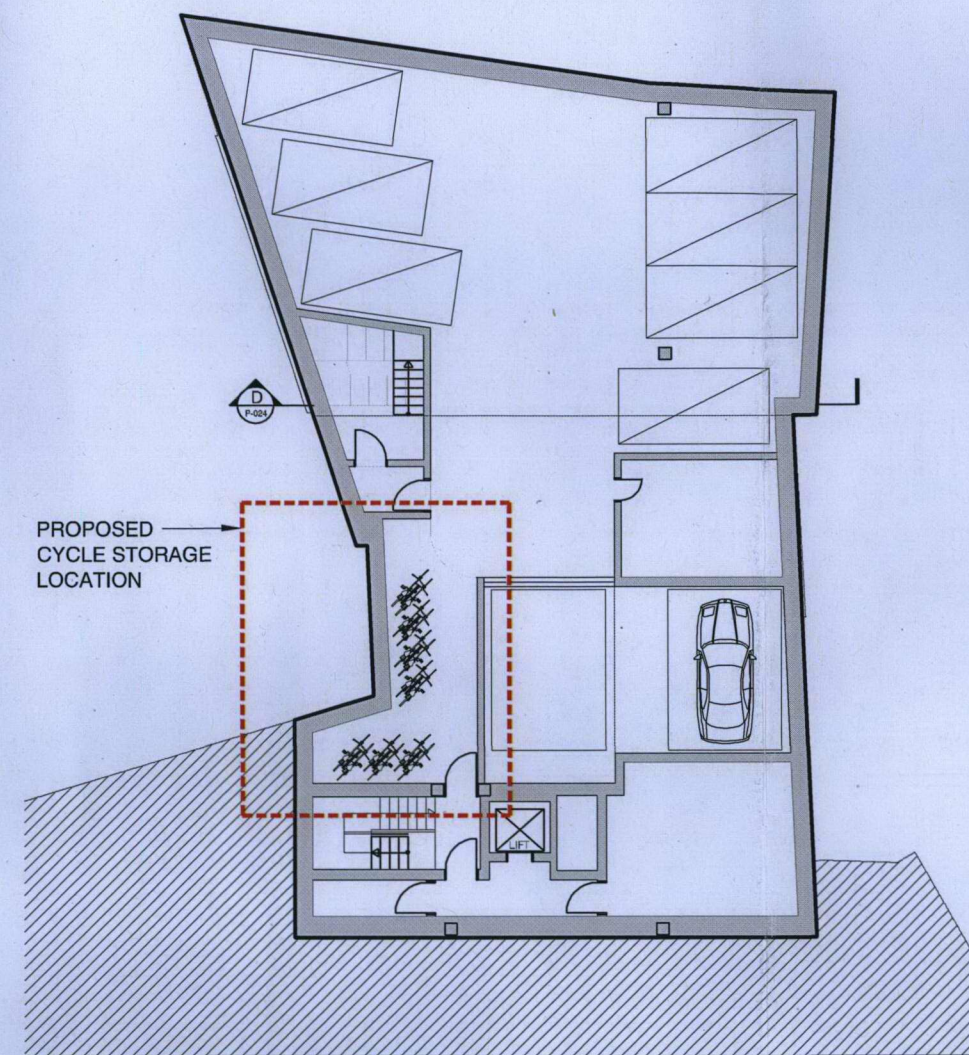
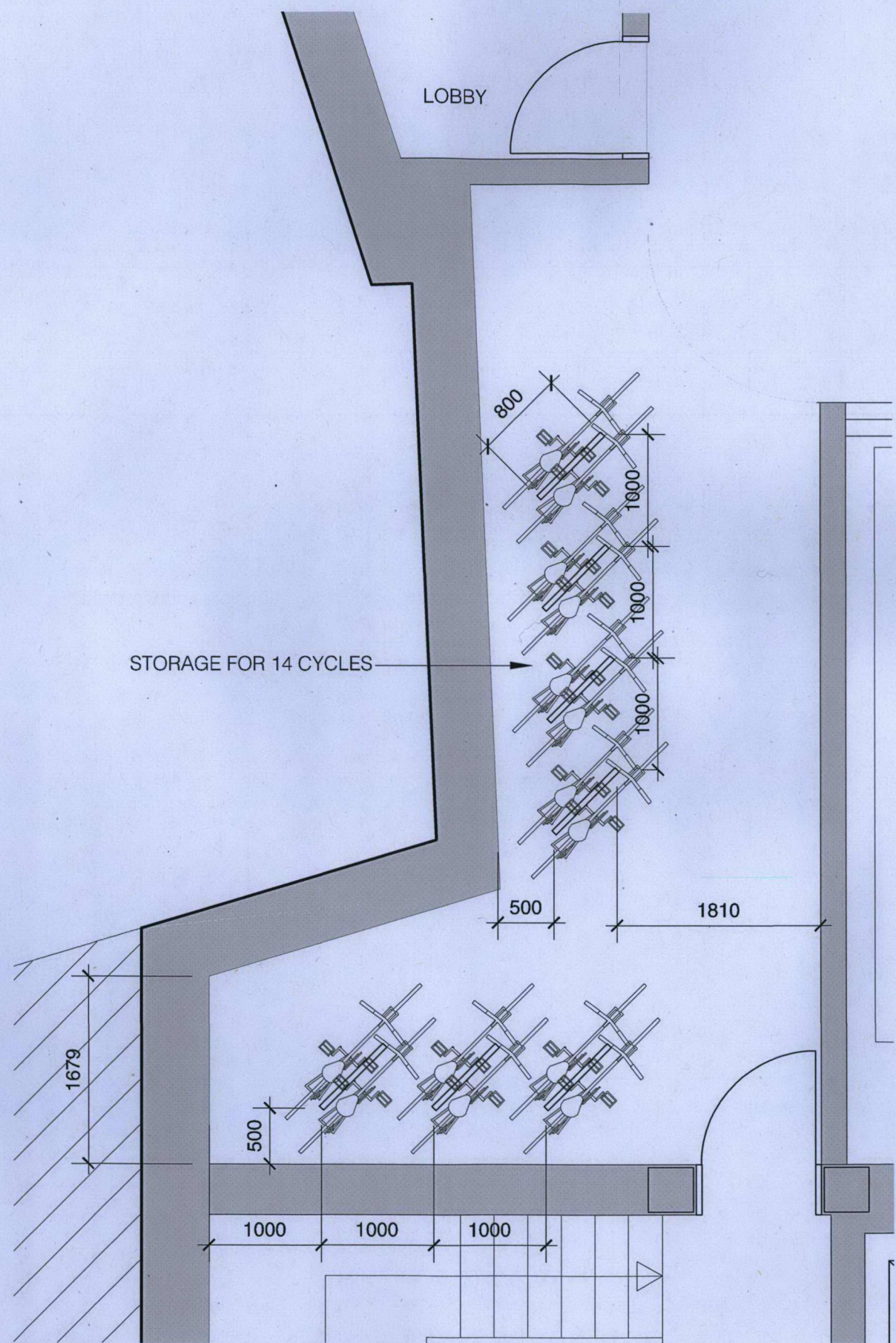


**APPROVED**

CONDITION 7  
CYCLE STORAGE-  
BASEMENT  
APPROVED UNDER  
APP. REF.:  
2008 / 0718 / P



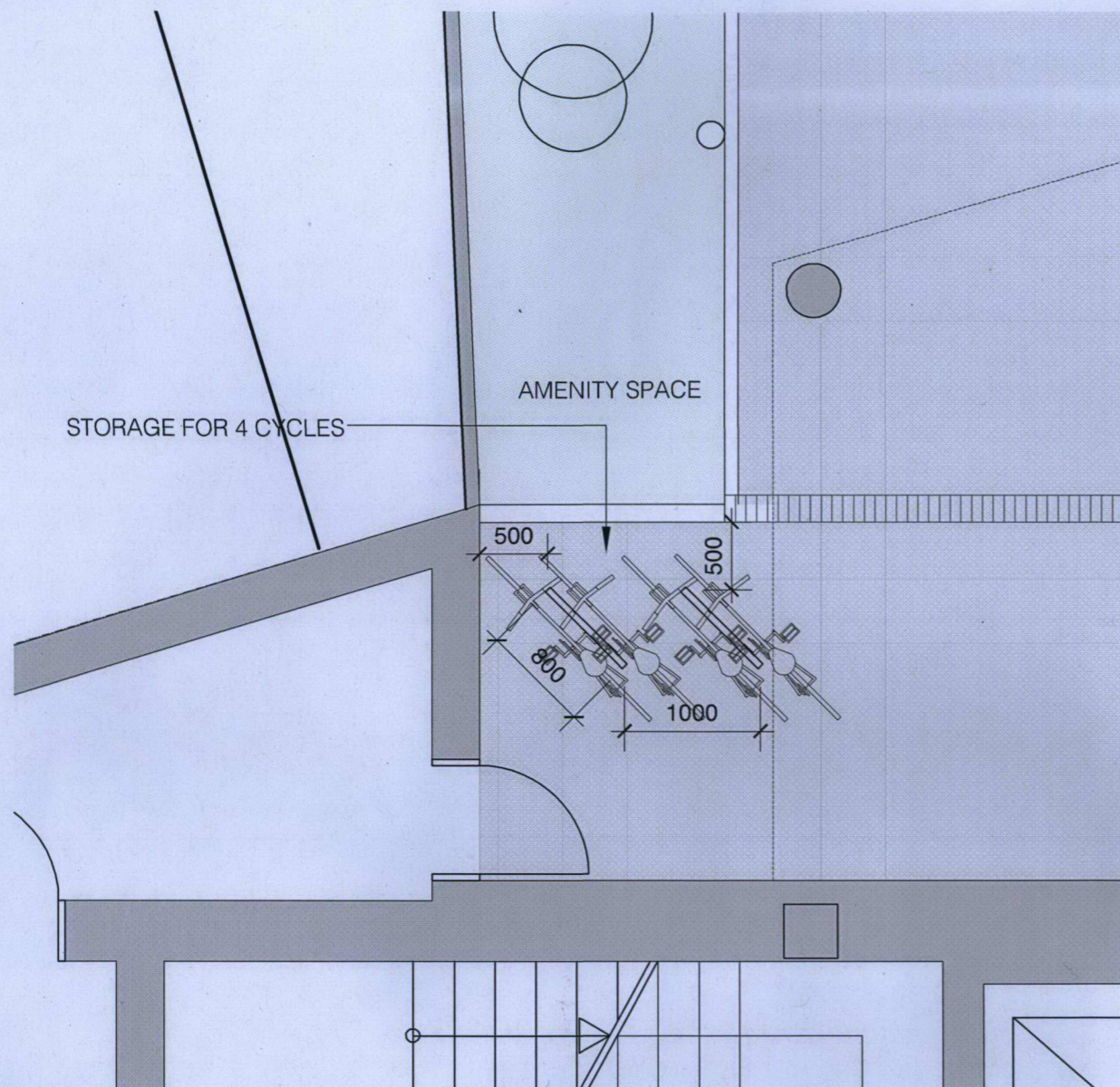
2 BASEMENT KEY PLAN  
P-030 SCALE 1:250



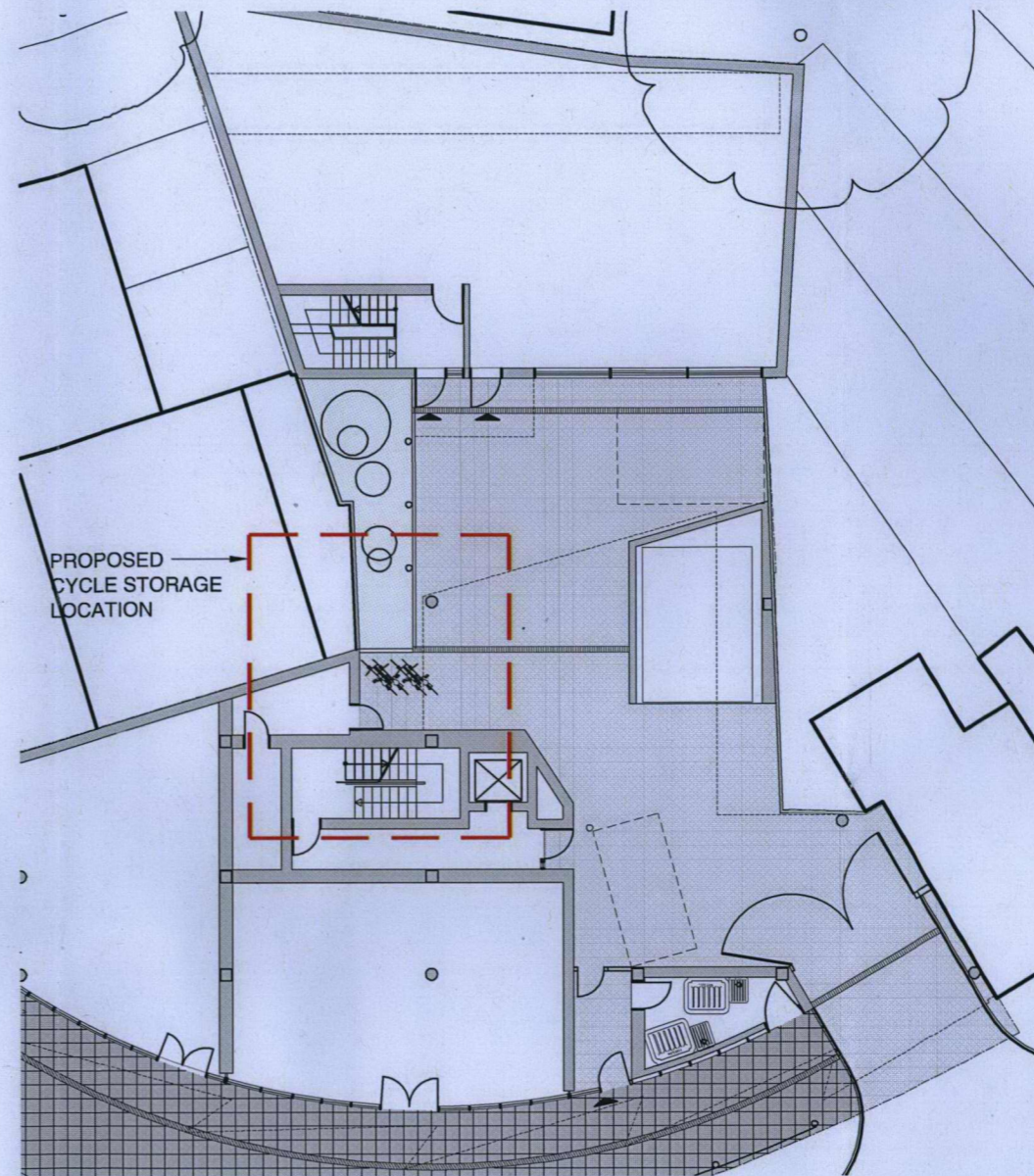
1 BASEMENT PLAN  
P-030 SCALE 1:50

# APPROVED

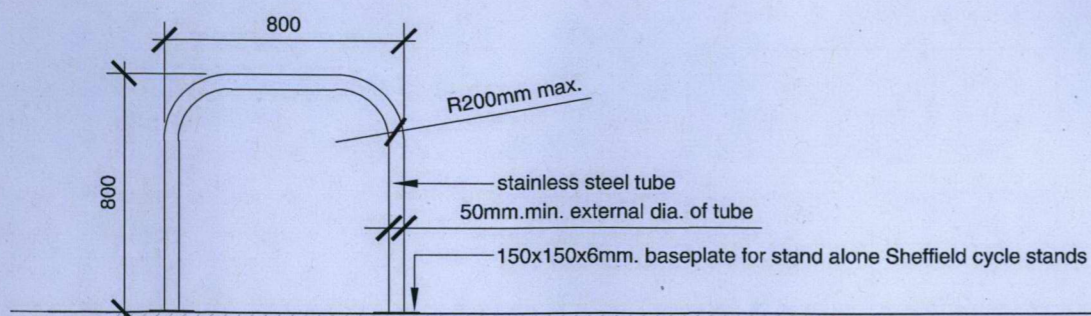
CONDITION 7  
CYCLE STORAGE-  
GROUND FLOOR &  
DETAILS OF SHEFFIELD  
CYCLE STAND,  
APPROVED UNDER  
APP. REF.:  
2008 / 0718 / P



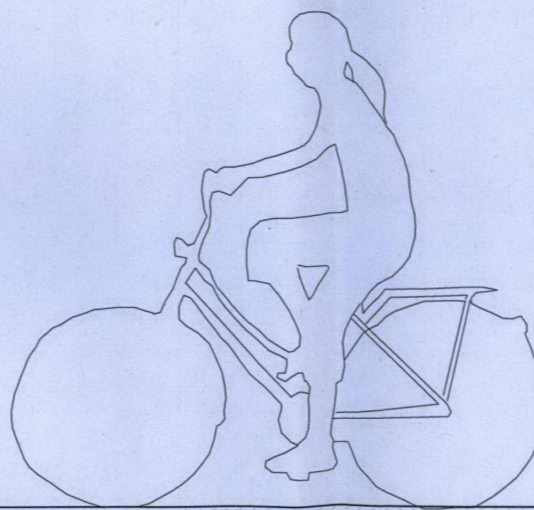
1 GROUND FLOOR PLAN  
P-031 SCALE 1:50



2 GROUND FLOOR KEY PLAN  
P-031 SCALE 1:250



3 SHEFFIELD CICLE STAND  
P-031 SCALE 1:25



**APPROVED**

CONDITION 8  
REFUSE AND  
RECYCLE STORAGE-  
APPROVED UNDER  
APP. REF.:  
2008 / 0718 / P

