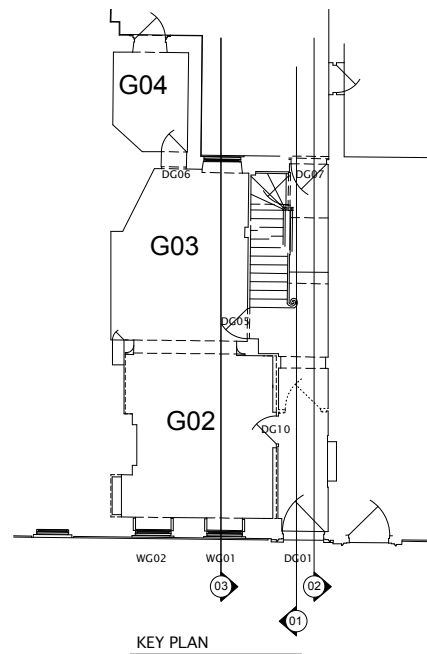
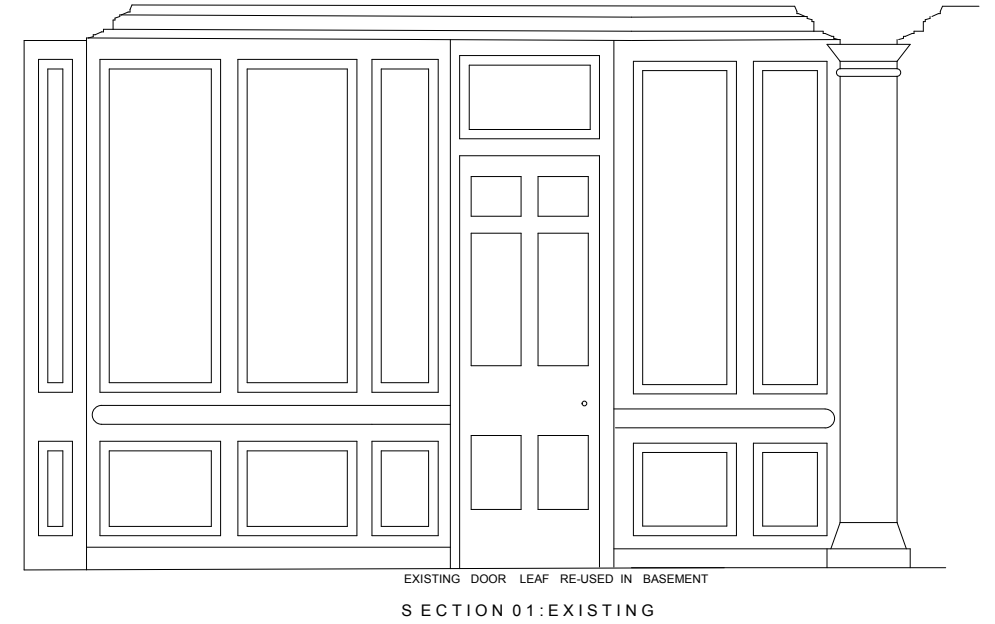
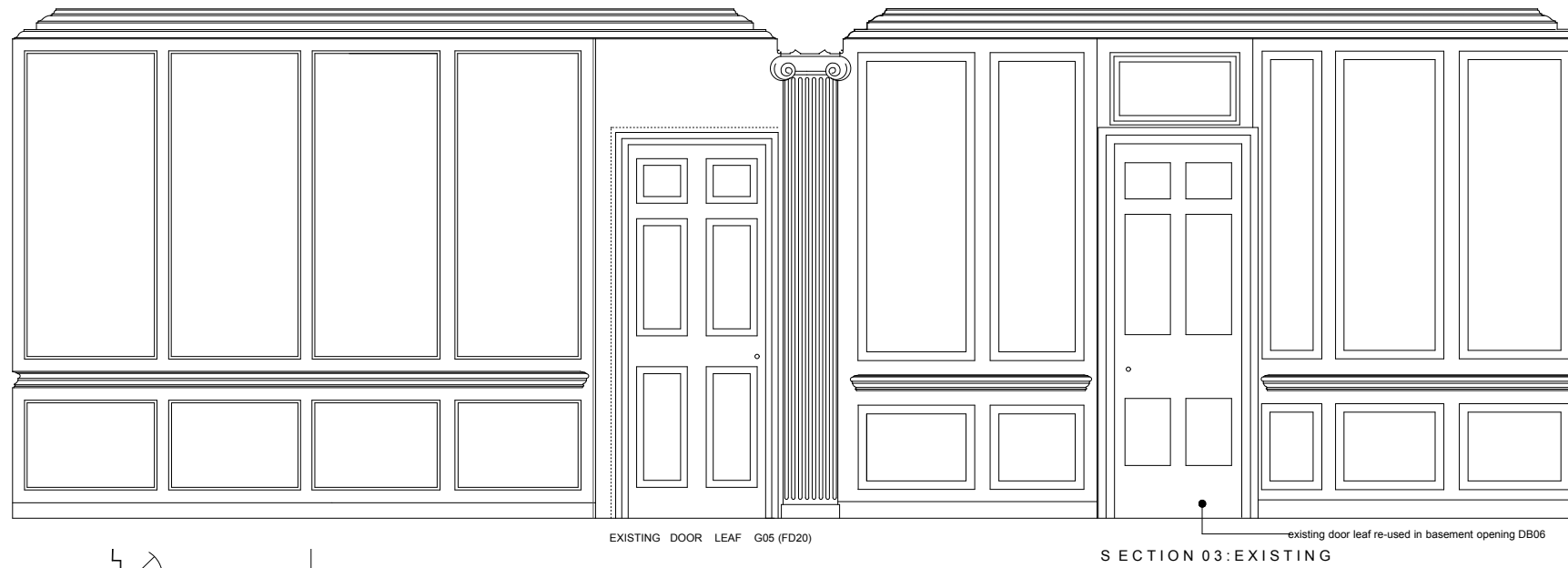
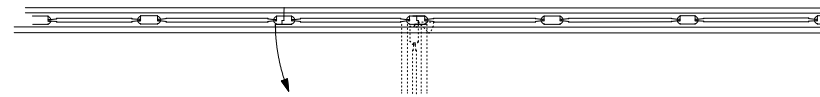
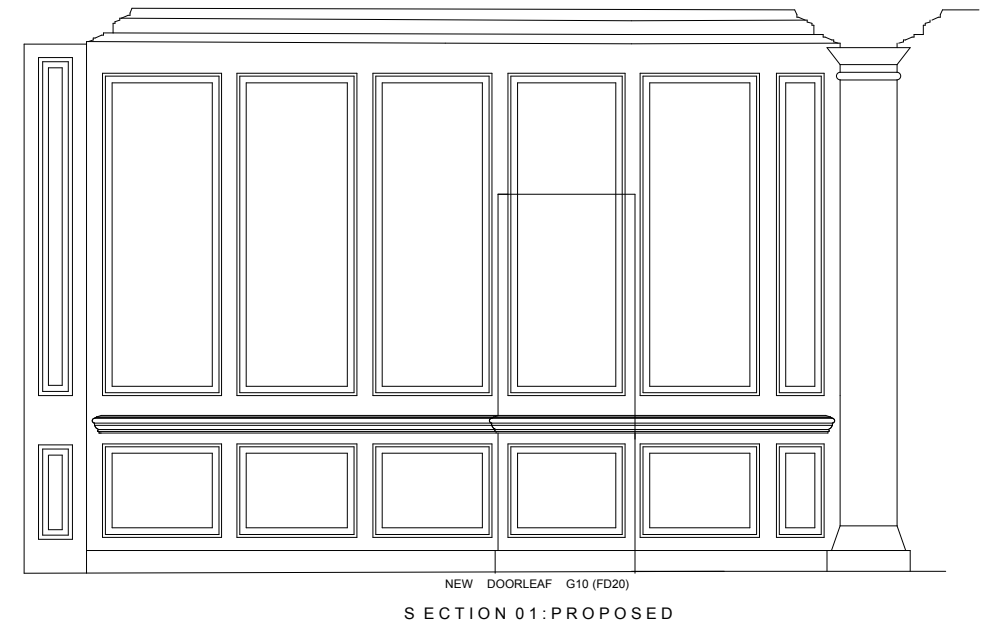
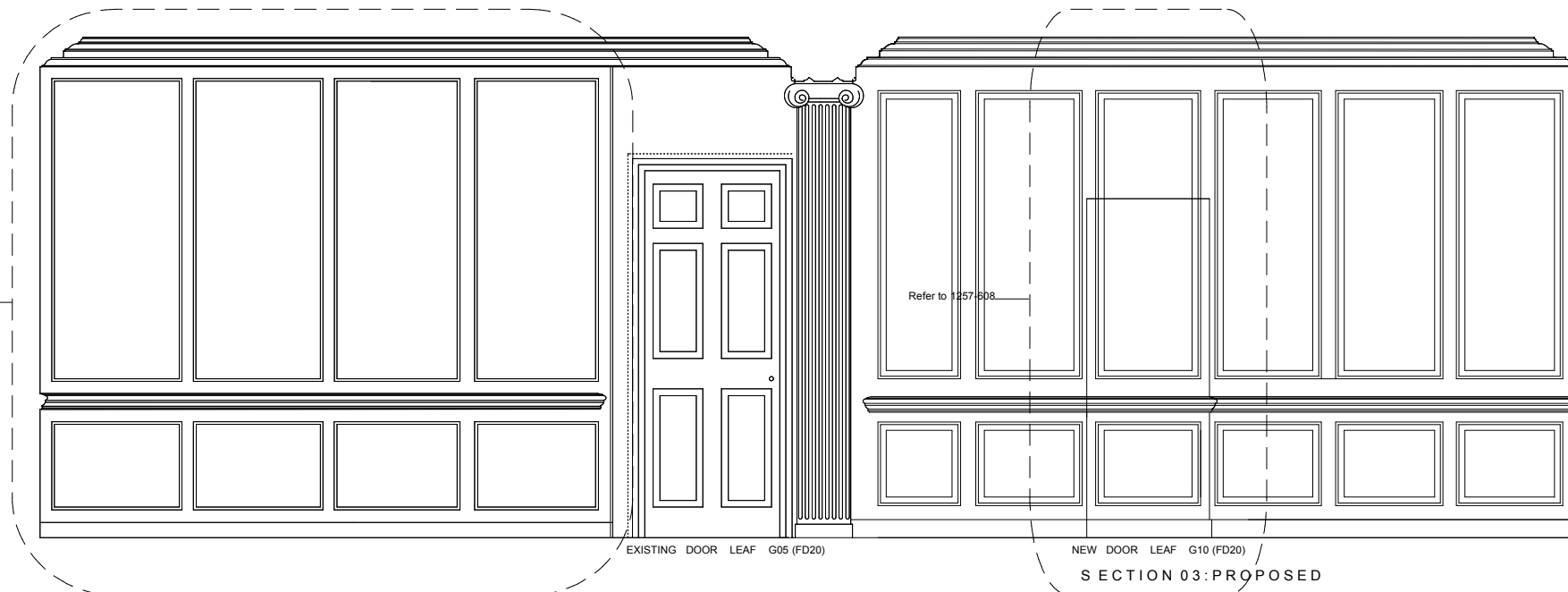


Refer to 1257-609



GROUND FLOOR PLAN

DO NOT SCALE FROM THIS DRAWING. CHECK ALL DIMENSIONS ON SITE. Refer also to 1257-608 & 609

REV	DATE	NOTES
A	15.04.14	Details updated
B	23.05.14	Jib Door Details

DRAWN PROJECT 31 Great James Street TITLE DETAILS: Doors & Panelling DG10

CHECKED SCALE: 1:20@ A1, 1:40 @ A3 DATE: April 2014 NO 1257/613 REV B

cowper griffith 15 HIGH STREET, WHITTLESFORD, CAMBRIDGE, CB22 4LT
Tel 01223 835998 Fax 01223 837327
ARCHITECTS architects@cowpergriffith.co.uk