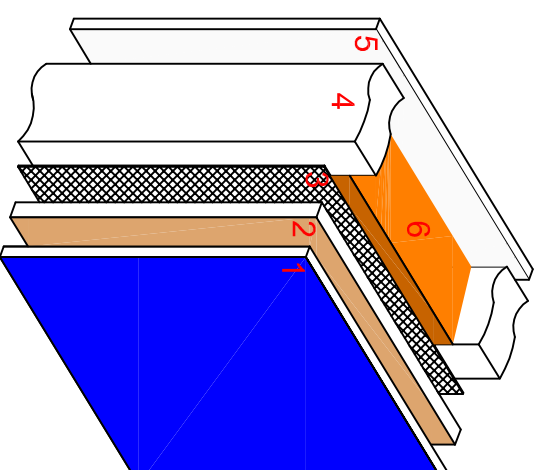


# EXTERNAL SECURITY WALL CONSTRUCTION



- 1/ LAMINATE PANEL (COLOUR CHOICE)
- 2/ 18mm MDF (SCREWED TO STUDWORK)
- 3/ EXPERMET (REF: 2074F)
- 4/ 100 x 50 STUDWORK (@ 400 ctr-s)
- 5/ 15 WHITE MELAMINE
- 6/ 100 INSULATION



Date: 07-08-12

Hope Street, Rotherham S60 1LH