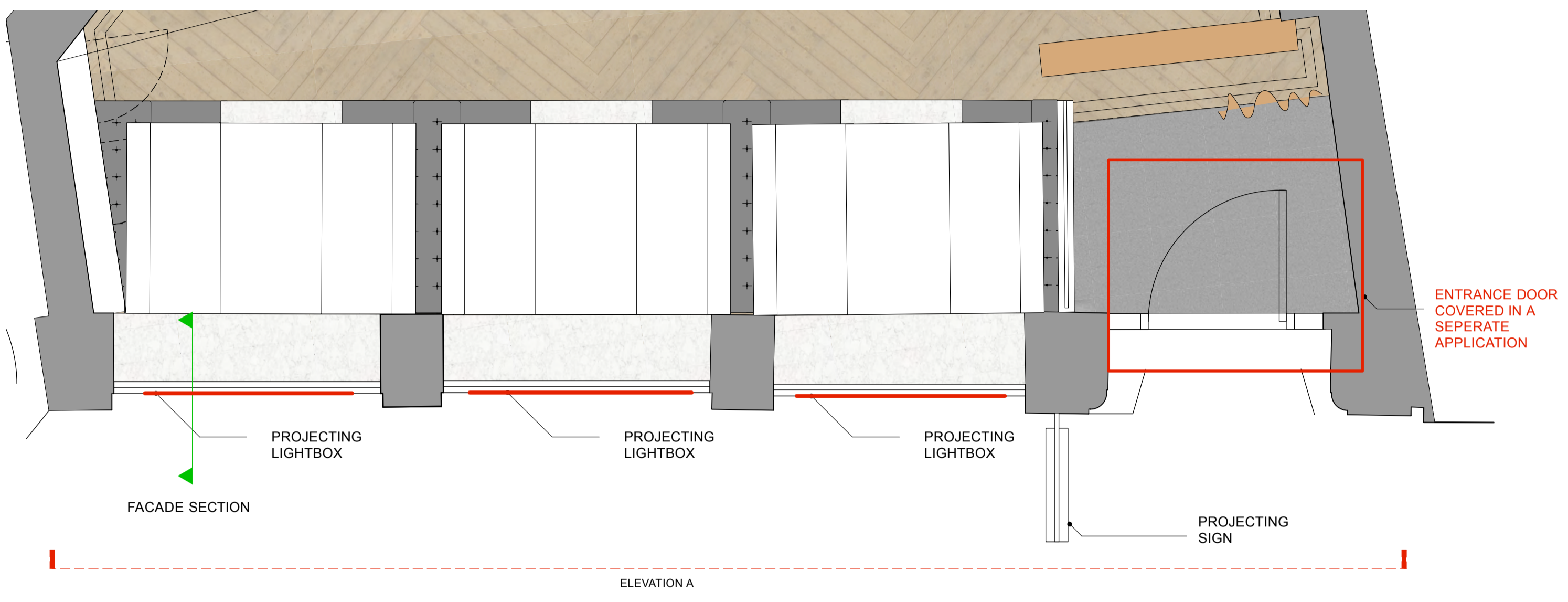


PLANNING SIGNAGE DETAIL

Notes



TYPICAL SIGNAGE DETAIL

ELEVATION A 1:25 @ A1

PROPOSED GROUND FLOOR PLAN 1:25 @ A1

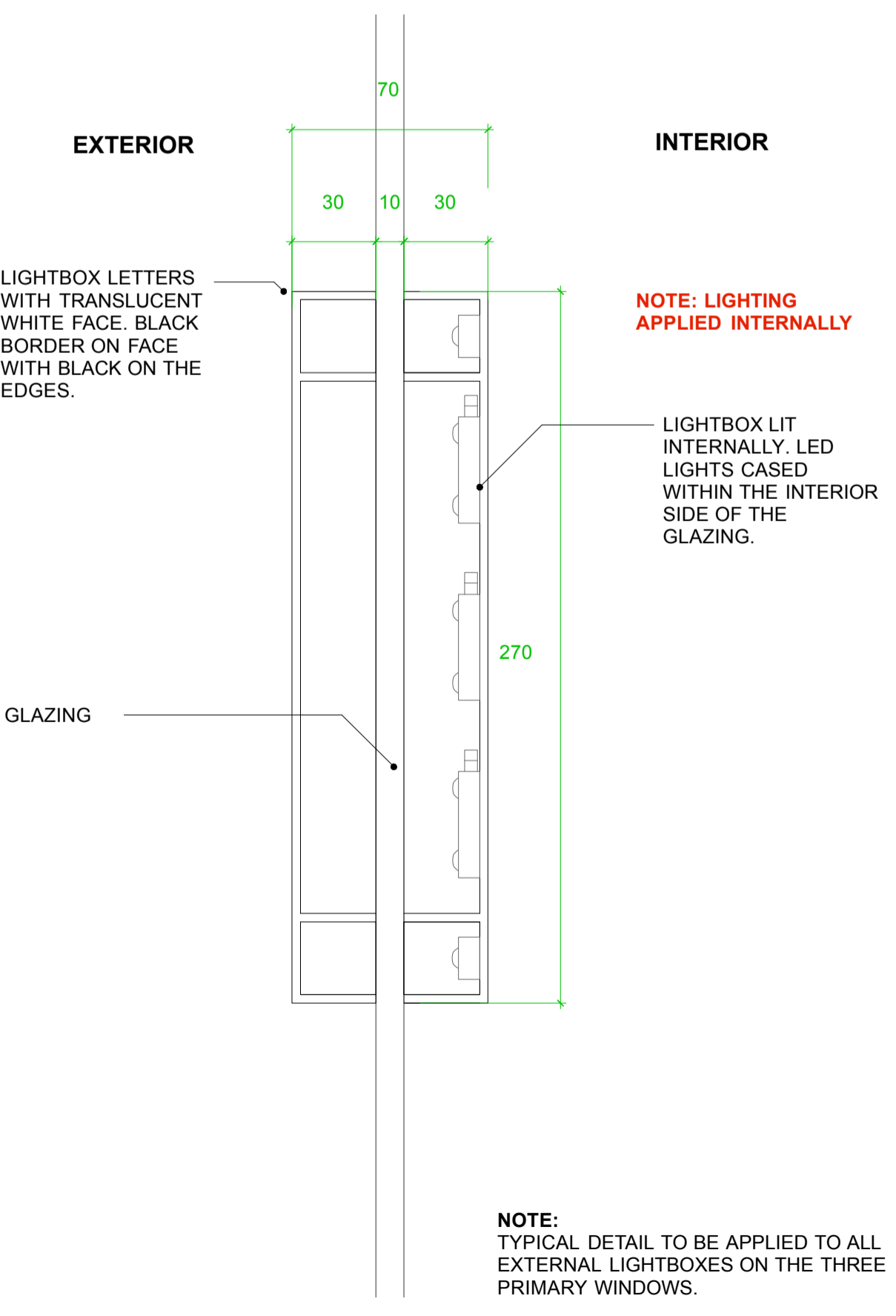


SECTION DETAIL A

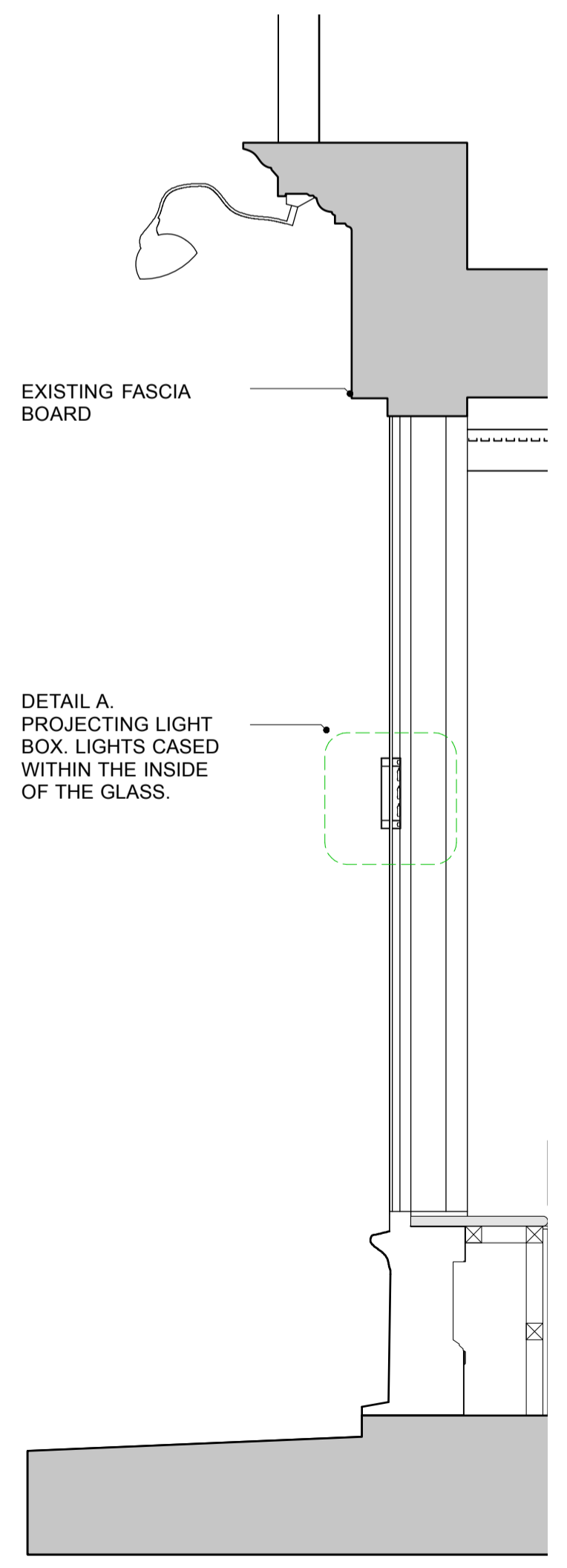
LIGHTBOX LETTERS WITH TRANSLUCENT WHITE FACE. BLACK BORDER ON FACE WITH BLACK ON THE EDGES. SANDWHICING EITHER SIDE OF THE GLASS. OTHER TYPE TO BE HAND PAINTED.

TEXT TO BE HANDWRITTEN BELOW

SIGNAGE DETAIL 1:5 @ A1



DETAIL A 1:2 @ A1



FACADE SECTION 1:20 @ A1

Revisions
P-2 28.07.14

Project
BYRON HOLBORN

Client
BYRON

Drawing Title
PROPOSED SIGNAGE DETAIL

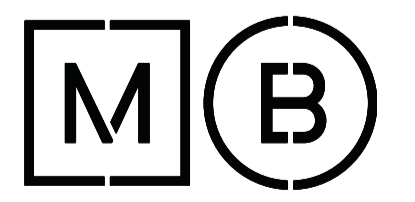
Scale Various @ A1	Date Created 22/07/14
------------------------------	---------------------------------

Drawing Number 11065/752

Revision P-2	Revision Date 28.07.14
------------------------	----------------------------------

Drawn By AC	Checked By PA
-----------------------	-------------------------

Do not scale from drawing, all dims to be checked on site. Report omissions and discrepantcies to the architect immediately



Michaelis Boyd Associates
108 Palace Gardens Terrace
London W8 4RT

44 20 7221 1237
mail@michaelisboyd.com
michaelisboyd.com