

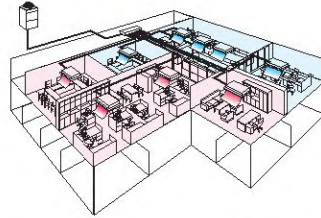
# R2 Series Standard (8-18hp)

Simultaneous Heating and Cooling with Heat Recovery Outdoor Unit

## Improved for even higher efficiency

Throughout the year, many buildings require cooling in some areas and heating in others - even in adjacent rooms. The outstanding City Multi R2 system meets this requirement by distributing surplus heat from cooling operations (and vice versa) to rooms where it is needed. This efficiency can result in energy savings of up to 30% over conventional systems.

- New higher efficiency inverter technology, with low start currents and wrap around coil for added efficiency
- Up to 45 indoor units connected to each outdoor unit
- Easy to install unique 2-pipe technology means minimal disruption, quicker installation and less connections than 3 pipe equivalents
- Weight and size reduction compared to YGM-A models
- Improved pipe run of 165m with a total system pipe length of up to 600m
- 100% inverter control
- High Sensible Cooling Function - By raising the off coil temperature, a 10% increase in sensible cooling capacity over standard operation is achievable, the result being greater comfort for occupants
- High Performance Heating Mode for low ambient conditions



### Technical Information

#### R2 SERIES STANDARD OUTDOOR UNITS 8-18hp

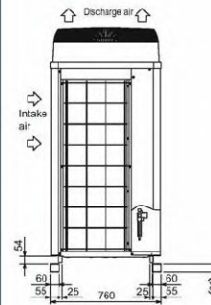
MODEL REFERENCE	PURY-P200YJM-A	PURY-P250YJM-A	PURY-P300YJM-A	PURY-P350YJM-A	PURY-P400YJM-A	PURY-P450YJM-A
CAPACITY (kW)	Heating (nominal)	25.0	31.5	37.5	45.0	50.0
	Cooling (nominal)	22.4	28.0	33.5	40.0	45.0
	High Performance Heating (UK)	25.0	31.5	35.6	42.8	47.5
COP Priority Heating (UK)	Heating (UK)	22.8	28.7	32.3	38.7	43.0
	Cooling (UK)	21.3	26.6	31.5	37.6	42.3
POWER INPUT (kW)	Heating (nominal)	5.69	7.32	8.78	10.89	12.75
	Cooling (nominal)	5.18	7.05	8.67	11.33	13.55
	High Performance Heating (UK)	7.17	9.22	11.77	14.59	17.09
	COP Priority Heating (UK)	5.63	7.25	8.52	10.56	12.37
	Heating (UK)	2.98	4.05	5.59	7.31	8.74
	Cooling (UK)					9.13
COP / EER (nominal)	4.39 / 4.32	4.30 / 3.97	4.27 / 3.86	4.13 / 3.53	3.92 / 3.32	3.84 / 3.45
MAX No. OF CONNECTABLE INDOOR UNITS	20	25	30	35	40	45
AIRFLOW (m <sup>3</sup> /min)	High	185	185	185	225	225
		185	185	185	225	225
NOISE (dBA)		56	57	59	60	61
WEIGHT (kg)		240	240	245	270	270
DIMENSIONS (mm)	Width	920	920	920	1220	1220
	Depth	760	760	760	760	760
	Height (1650mm without legs)	1710	1710	1710	1710	1710
ELECTRICAL SUPPLY	380-415v, 50Hz	380-415v, 50Hz	380-415v, 50Hz	380-415v, 50Hz	380-415v, 50Hz	380-415v, 50Hz
PHASE	3	3	3	3	3	3
STARTING CURRENT (A)	8	8	8	8	8	8
RUNNING CURRENT (A)	Heating	8.7	11.3	13.5	16.8	19.7
	Cooling	8.0	10.8	13.4	17.5	20.9
FUSE RATING (MCB sizes BS EN 60947-2) - (A)	20	20	25	32	40	40
MAINS CABLE No. Cores	4 + earth	4 + earth	4 + earth	4 + earth	4 + earth	4 + earth

Note: For piping restrictions for PURY-P200-450YJM-A please see page 196

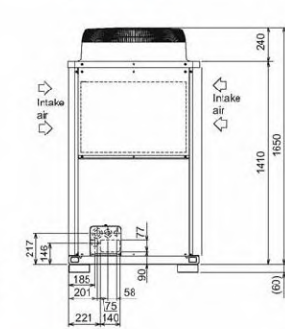
### Dimensions

#### PURY-P200, 250, 300YJM-A

Side View >



Front View >

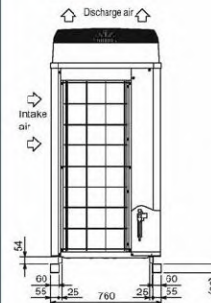


Upper View >

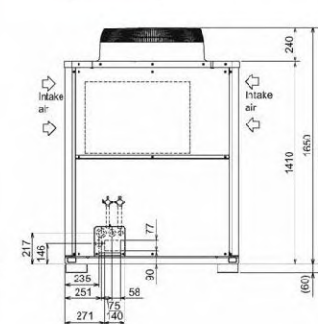


#### PURY-P350, 400YJM-A

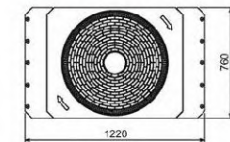
Side View >



Front View >

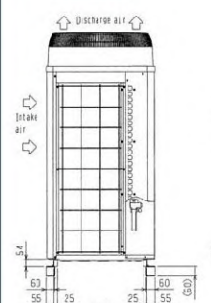


Upper View >

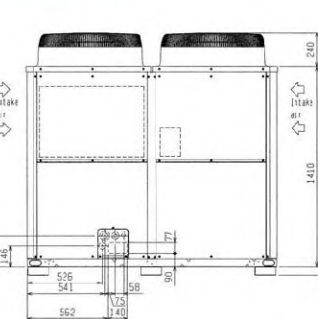


#### PURY-P450YJM-A

Side View >



Front View >



Upper View >

