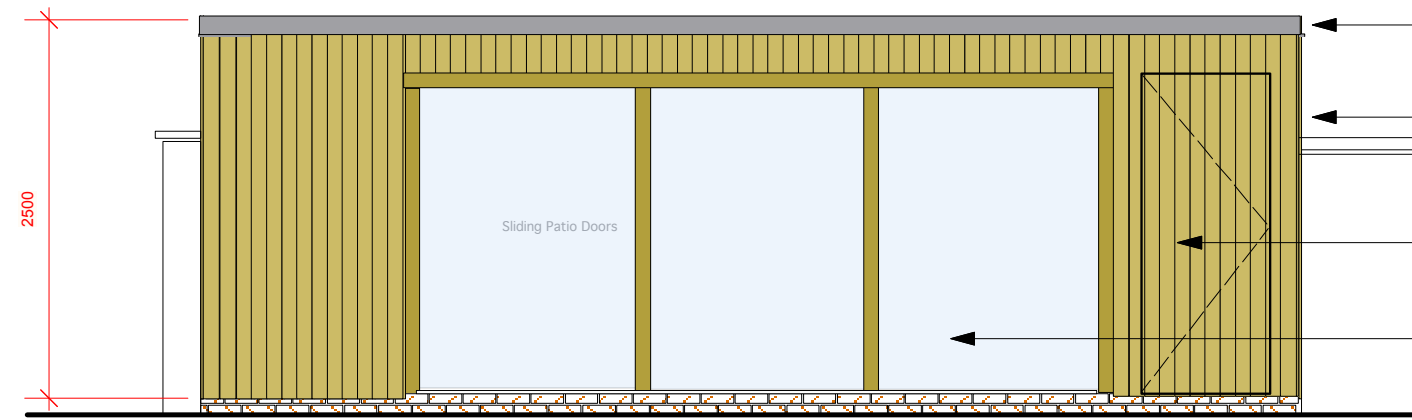
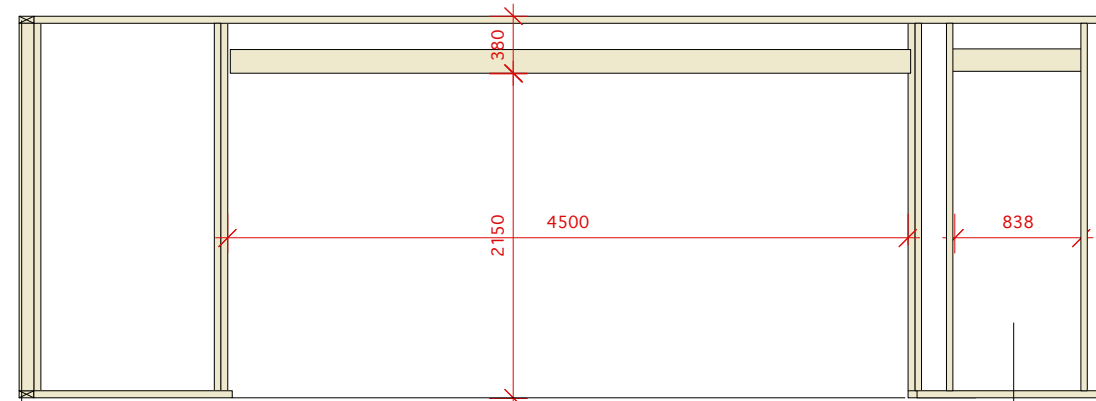


TYPICAL SIDE ELEVATION - EITHER SIDE

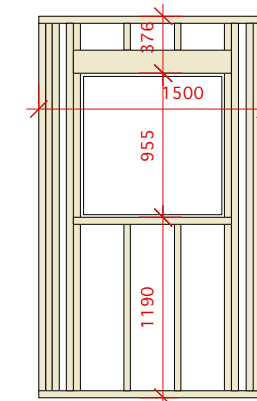


FRONT ELEVATION

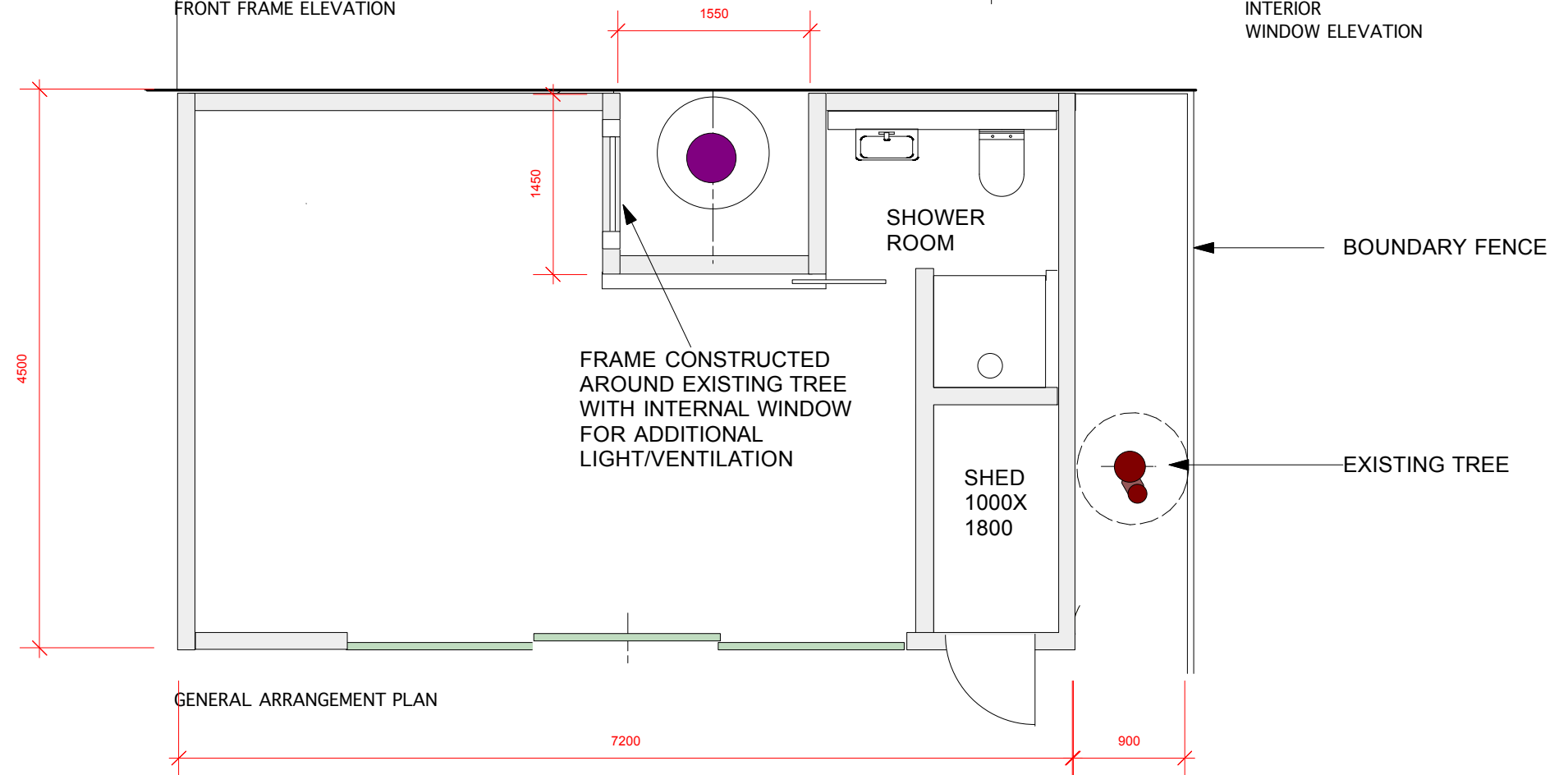
- GREY WIDI PAN OR SIMILAR INSULATED FLAT ROOF SYSTEM
- CEDAR WOOD TIMBER CLADDING TO EXTERIOR ELEVATIONS
- FLUSH DOOR TO SHED STORE
- TIMBER FRAMED SLIDING DOOR SYSTEM



FRONT FRAME ELEVATION



INTERIOR WINDOW ELEVATION



GENERAL ARRANGEMENT PLAN