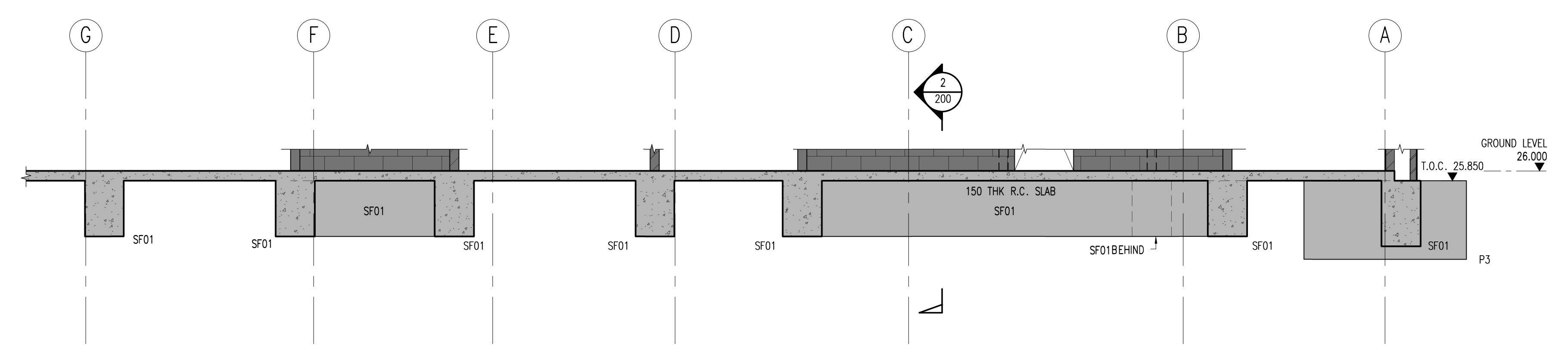
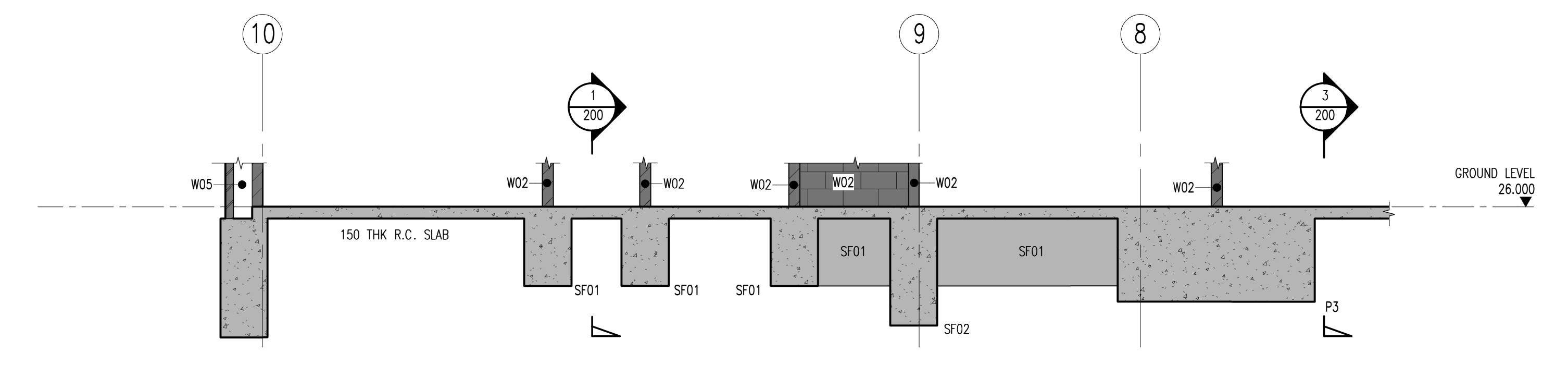


**Notes**

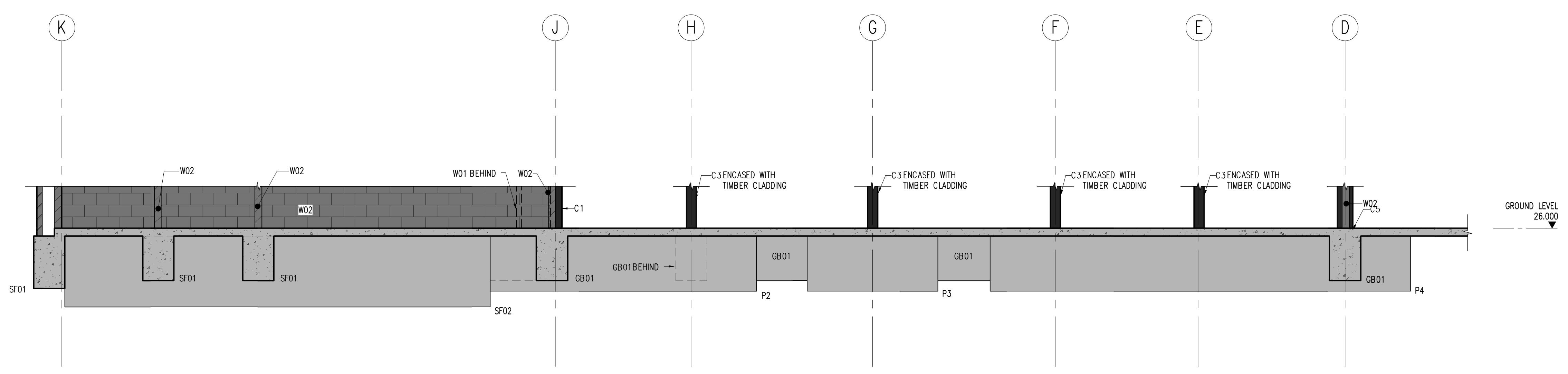
1. ALL DIMENSIONS ARE IN MILLIMETRES AND LEVELS IN METRES.
2. THIS DRAWING TO BE READ IN CONJUNCTION WITH RELEVANT ARCHITECT'S AND ENGINEER'S DRAWINGS AND SPECIFICATIONS.
3. THIS DRAWING HAS BEEN PRODUCED ELECTRONICALLY AND MAY HAVE BEEN PHOTO REDUCED OR ENLARGED WHEN COPIED. HENCE, DO NOT RELY ON ANY SCALES QUOTED. WORK ONLY TO FIGURED DIMENSIONS (DO NOT SCALE). ALL DIMENSIONS TO BE CHECKED ON SITE. ANY ERRORS OR OMISSIONS TO BE REPORTED TO THE ENGINEER IMMEDIATELY.



SECTION 1-1  
(DRG. REF.: 099)  
SCALE: 1 : 50



SECTION 2-2  
(DRG. REF.: 099)  
SCALE: 1 : 50



SECTION 3-3  
(DRG. REF.: 099)  
SCALE: 1 : 50

C.D.M.	
SIGNIFICANT RISKS AND HAZARDS:	
BURIED SERVICES, CONSTRUCTION IN THE GROUND, DOUBLE HEIGHT COLUMNS, LONG SPAN PLANKS, CANTILEVER PLANKS	
KEY DESIGN DECISIONS TO REDUCE OR ELIMINATE HAZARDS:	


P1	18/07/14	RDK	ISSUED FOR STAGE D
----	----------	-----	--------------------

Rev.	Date	By	Details Of Revision
------	------	----	---------------------

Client  
STANLEY SIDINGS LTD

Project  
HAWLEY PRIMARY SCHOOL

Title  
ELEVATIONS SHEET 1

Status  
**PRELIMINARY**

Drawn	RDK	AD Scales	1 : 50
Date	18/07/14	Eng.	PW
File Ref.			


Drawing No.	2765.1/200	Rev.	P1
-------------	------------	------	----

P:\Projects\2765.1\2765.1\_01.dwg, 18/07/14, 10:00:00, RDK, 1:50, 2765.1/200, P1