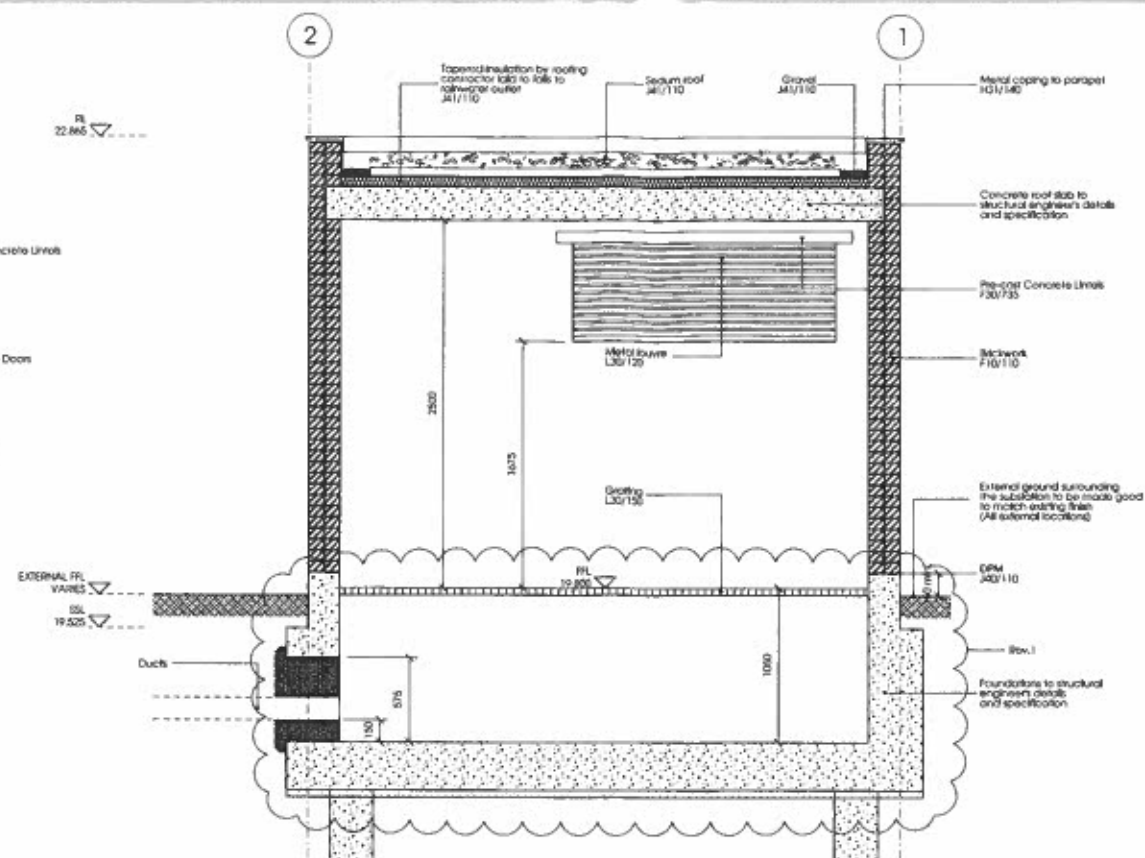
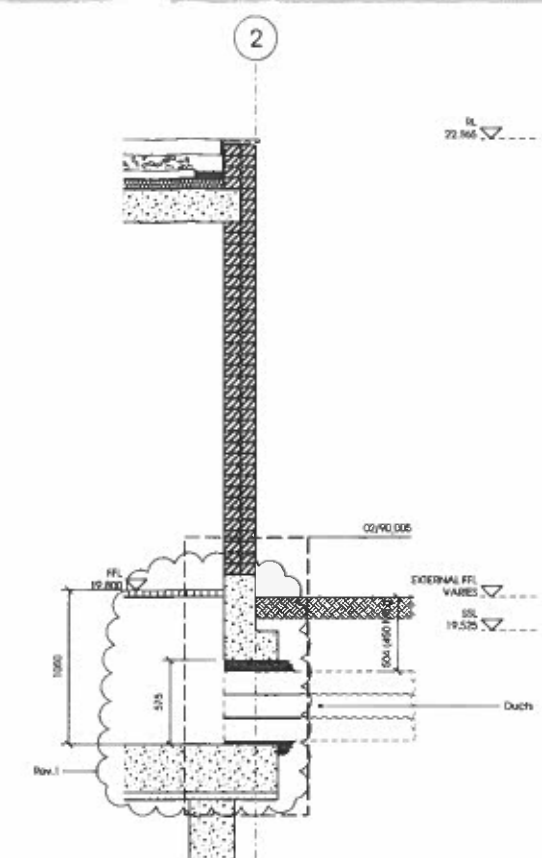


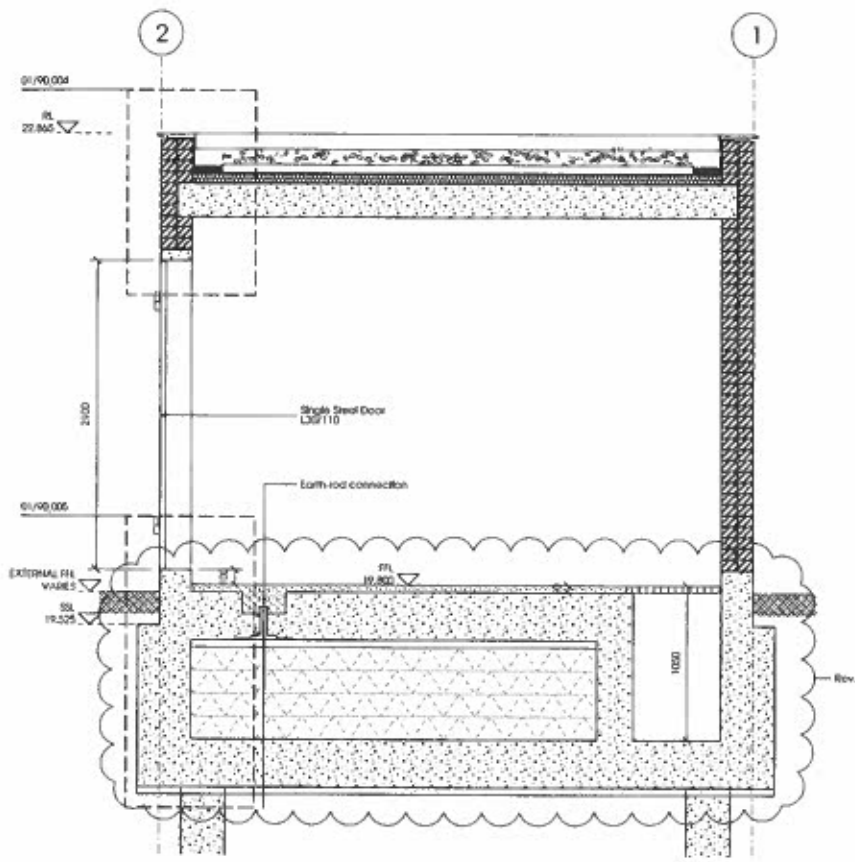
01 Section
90_002 Notes as Section 02/90_002



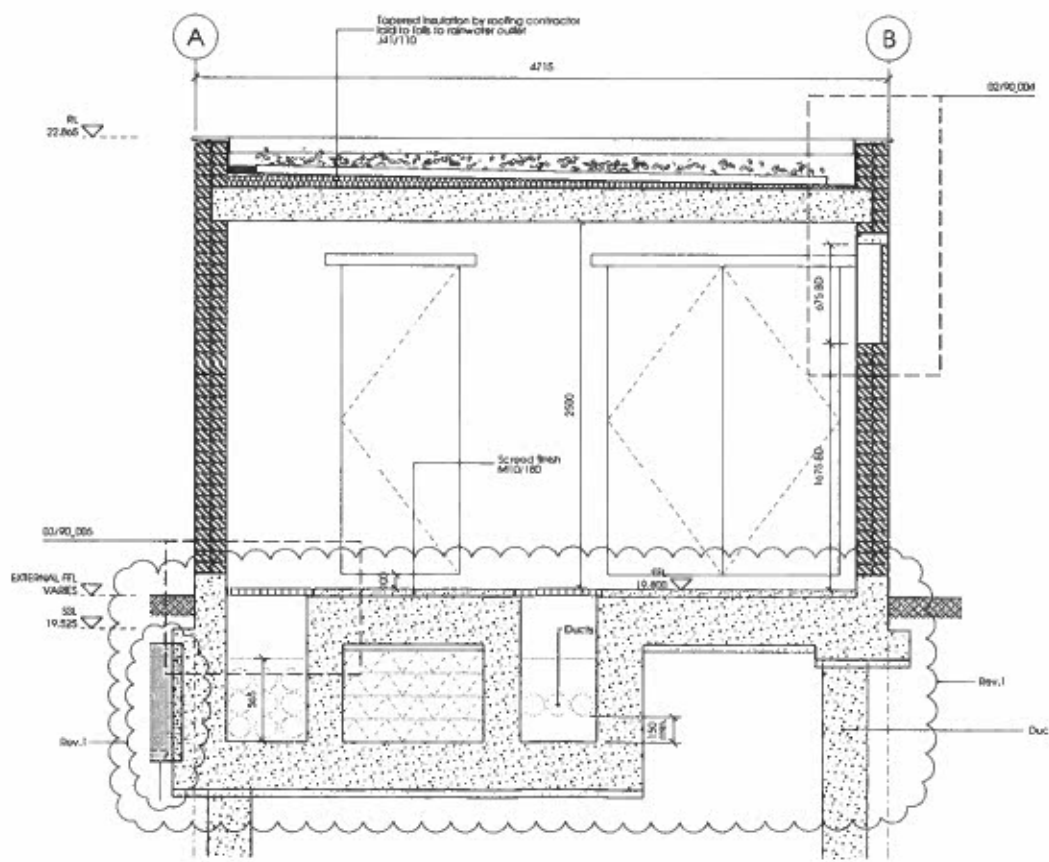
02 Section
90_002



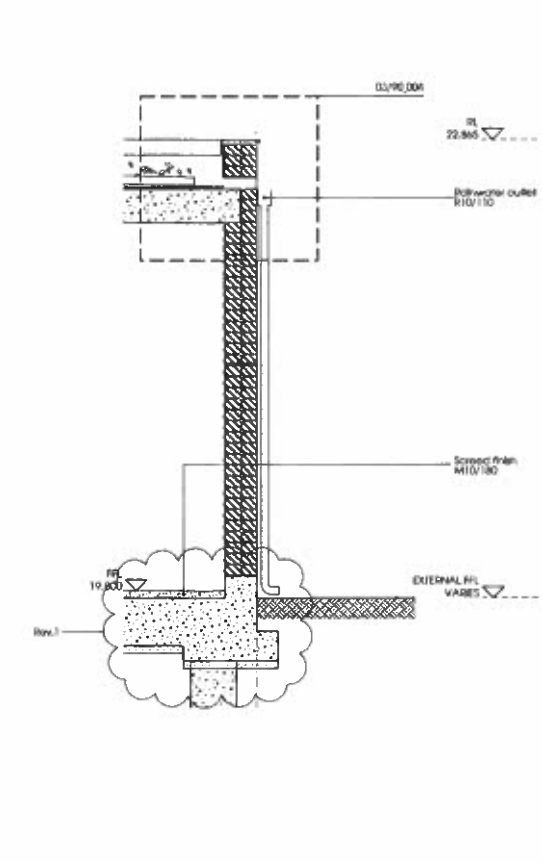
03 Section
90_002 Notes as Section 02/90_002



04 Section
90_002 Notes as Section 02/90_002



05 Section
90_002 Notes as Section 02/90_002



06 Section
90_002 Notes as Section 02/90_002

Notes
Contractor to check all dimensions on site. Do not scale from the drawing. Stanton Williams to be advised of any variation between the drawing and site conditions.
© Stanton Williams. All rights reserved. In Character IV of the Copyright, Design and Patents Act 1988 have been asserted.
To be read in conjunction with the specification and all relevant drawings.

Revision	Date	Description
0	16.05.14	Tender Issue
1	14.07.14	Foundations updated, concrete upstand amended

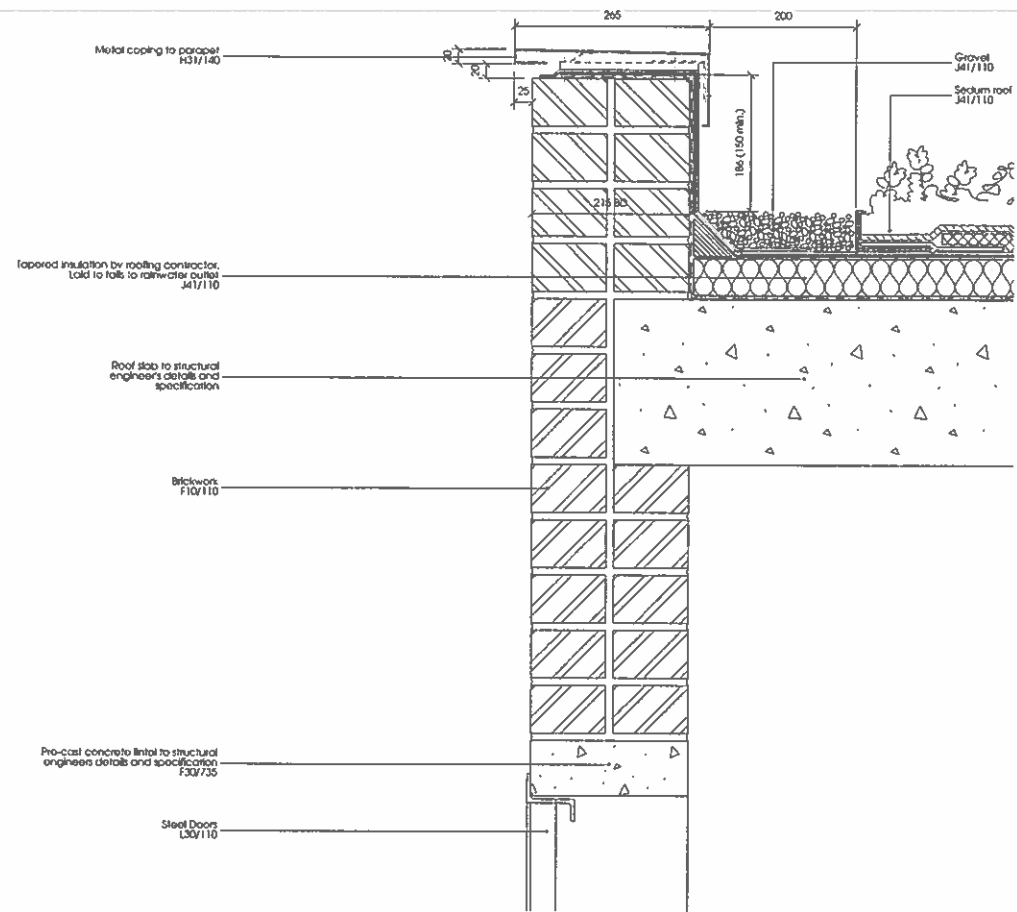
Stanton Williams
36 Graham Street
London N1 8GJ
Phone: +44 (0)20 7880 6400
Email: info@stantonwilliams.com
www.stantonwilliams.com

Project
New UKPN Substation
at Millman Mews

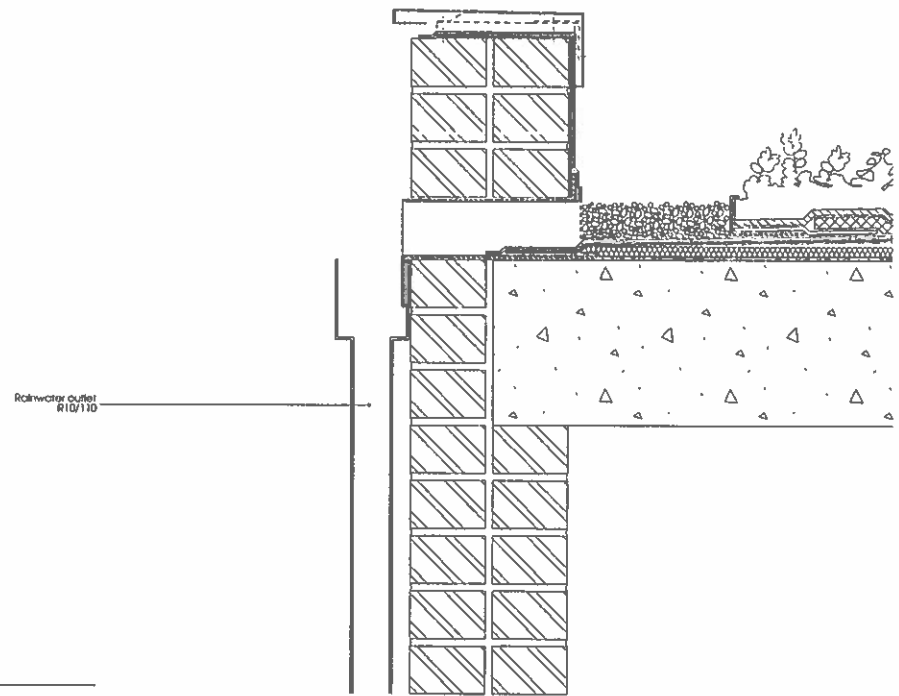
Drawing Title
Proposed Sections

STANTON WILLIAMS

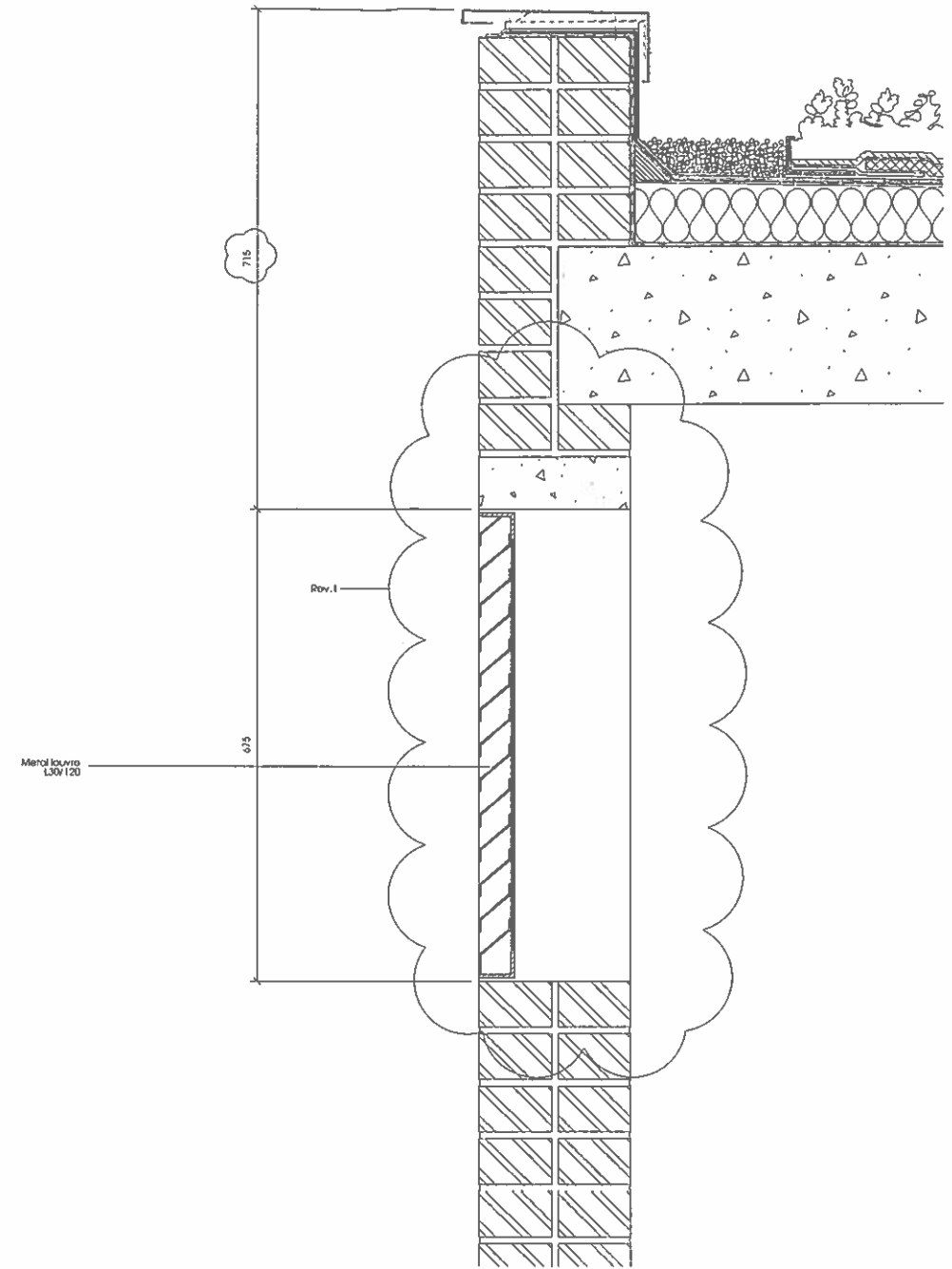
Date	Scale @ A1 (A3)	Status	Project No.	Drawing No.	Revision
16/05/14	1:25 (1:50)	Tender	464	90_002	1
Drawn	Checked	Approved			
LO	KI	GH			



01 Detail
90_004



03 Detail
90_004 Notes as Detail 01/90_004



02 Detail
90_004 Notes as Detail 01/90_004

Notes
Contractor to check all dimensions on site. Do not scale from this drawing. Stanton Williams to be advised of any variation between the drawings and site conditions.
© Stanton Williams. All rights described in Chapter IV of the Copyright, Designs and Patents Act 1998 have been asserted.
To be read in conjunction with the specification and all relevant drawings.

Revision	Date	Description
0	16.05.14	Tender Issue
1	14.07.14	Extract louvre positioning revised

Stanton Williams
36 Graham Street
London N1 8GJ
Phone +44 (0)20 7880 6400
Email info@stantonwilliams.com
www.stantonwilliams.com

Project
New UKPN Substation
at Millman Mews

Drawing Title
Parapet/ External Wall Details

STANTON
WILLIAMS

Date	Scale	Status	Project No.	Drawing No.	Revision
16/05/14	1:5 (1:10)	Tender	464	90_004	1
Drawn	Checked	Approved			
LO	KI	GH			